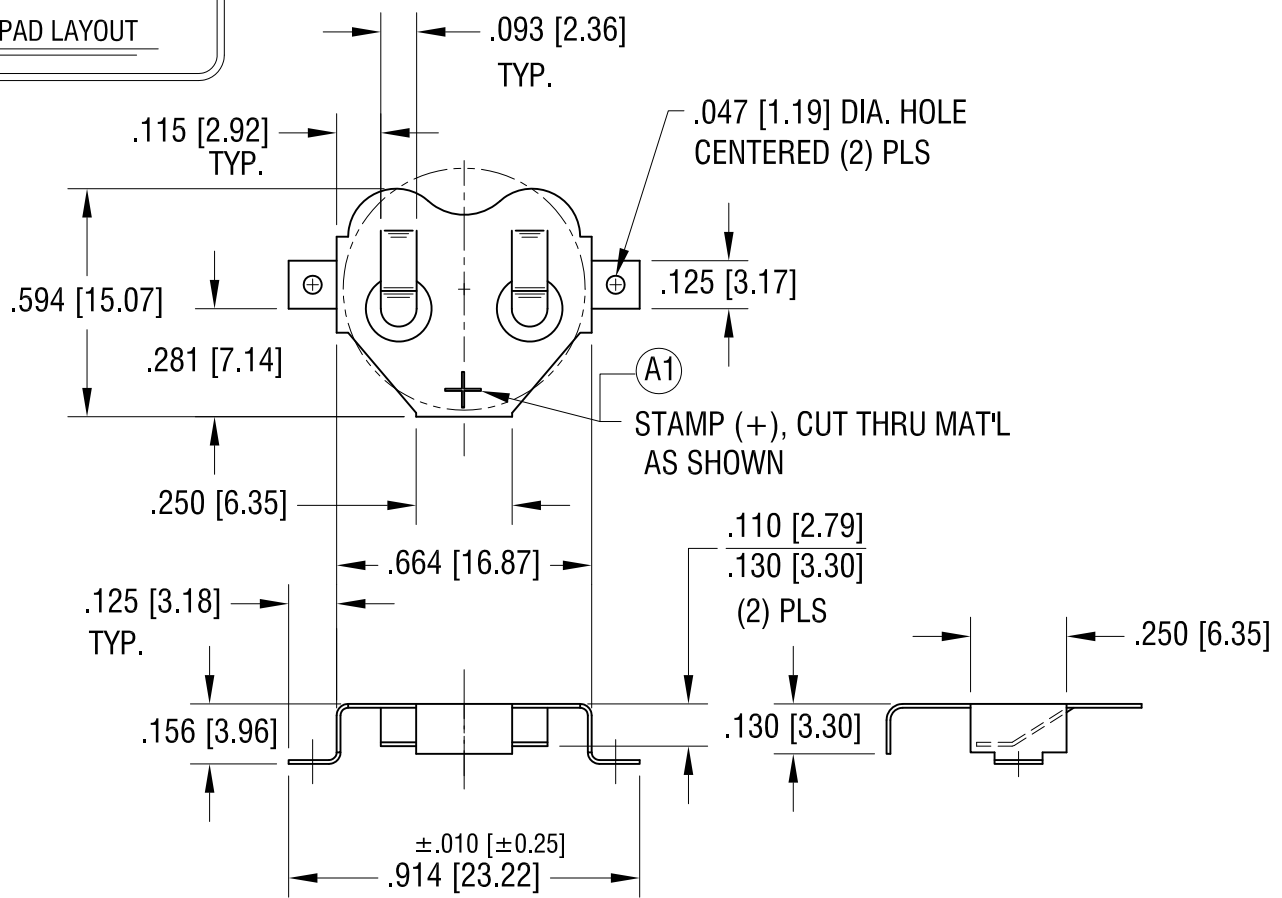
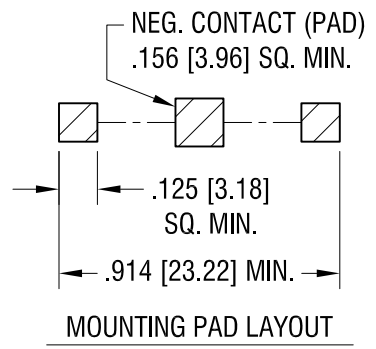
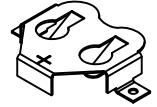


THIS DOCUMENT IS THE PROPERTY OF KEYSTONE ELECTRONICS CORP. AND SHALL NOT BE REPRODUCED, DISTRIBUTED OR USED AS A BASIS FOR MANUFACTURE WITHOUT PRIOR WRITTEN PERMISSION FROM KEYSTONE ELECTRONICS CORP.

ACTUAL SIZE



**KEYSTONE ELECTRONICS CORP.**

www.keyelco.com • NEW HYDE PARK, NY 11040 • Tel (516) 328-7500

PART NAME  
16mm COIN CELL CLIP

MATERIAL  
.010 [0.25] TH'K PHOSPHOR BRONZE

FINISH <b>MATTE TIN PLATE</b>	DRN BY NT	DATE 4.08.09
	APP'D LN	SCALE 2X

TOLERANCES	INCH [MM]	CODE	DWG NO.
DECIMAL	± .005 [± 0.13]	C	3092
ANGULAR	± 1°		
UNLESS OTHERWISE SPECIFIED			

8.23.18	(A1) WAS NOT CUT THRU MAT'L CHANGE AS PER ECN 18-030	A
DATE	DESCRIPTION	REV.