

DASH	MARKING	(A)	(B)	LONGEST CONTACT	LUG LOCATION
-1	09922 30JR120-1	.831	1.297	CENTER	L1
-2	09922 30JR120-2	.706	1.219	TAB	L1
-3	09922 30JR120-3	.706	1.219	TAB	L2
-4	09922 30JR120-4	.706	1.219	TAB	L5
-5	09922 30JR120-5	.831	1.297	CENTER	L2
-6	09922 30JR120-6	.706	1.219	TAB	L1
-7	09922 30JR120-7	.706	1.219	TAB	L5
-8	09922 30JR120-8	.706	1.219	TAB	L4
-9	09922 30JR120-9	.706	1.219	TAB	L2

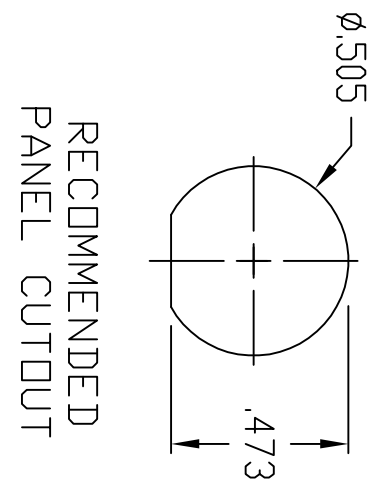
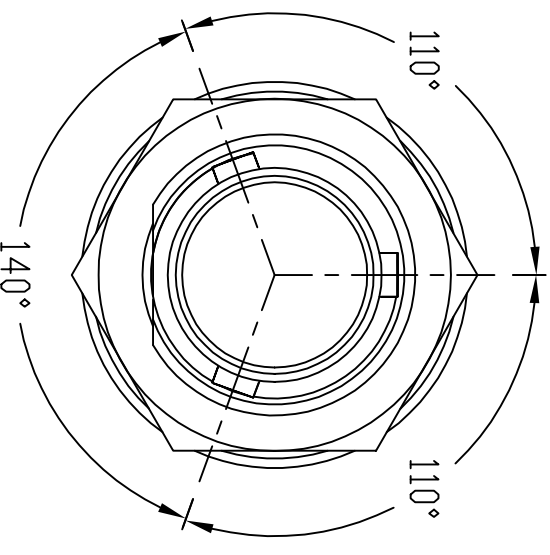
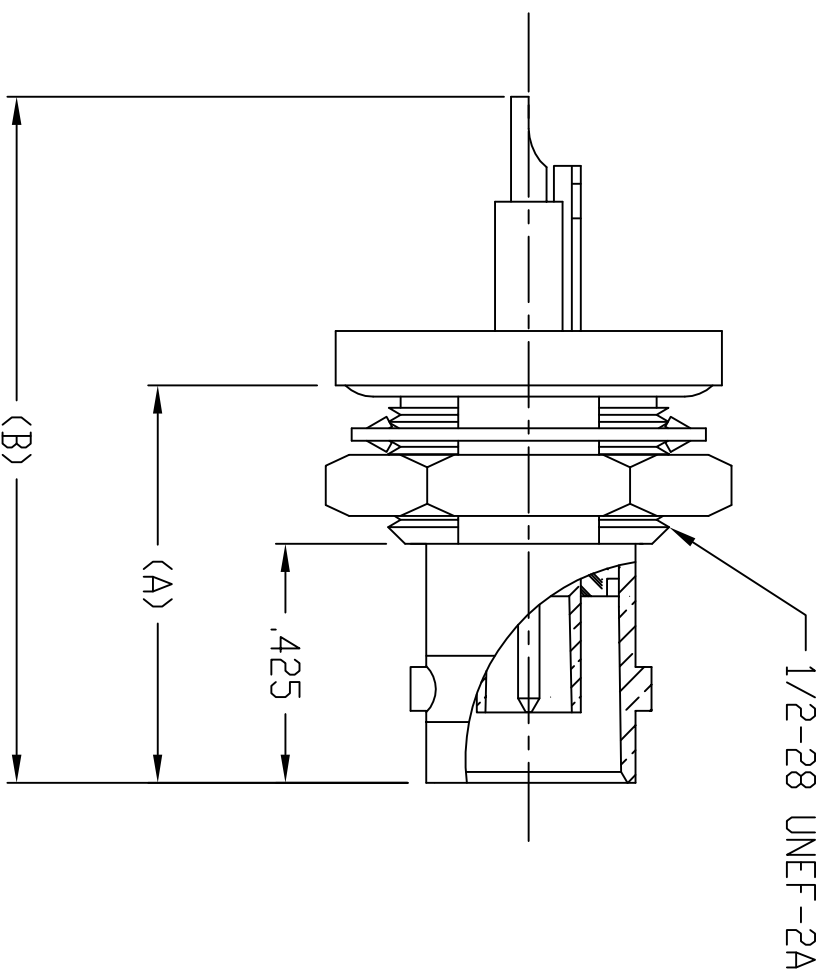
COMPONENTS
 BODY/FERRULES: BRASS PER ASTM B 16
 INSULATORS: PTFE FLUOROCARBON PER ASTM-D1710
 CENTER CONTACT: BERYLLIUM COPPER PER ASTM B 196

MATERIAL
 BRASS PER ASTM B 16
 PTFE FLUOROCARBON PER ASTM-D1710
 BERYLLIUM COPPER PER ASTM B 196

FINISH
 NICKEL PLATE PER QQ-N-290
 N/A
 GOLD PLATE PER ASTM B 488

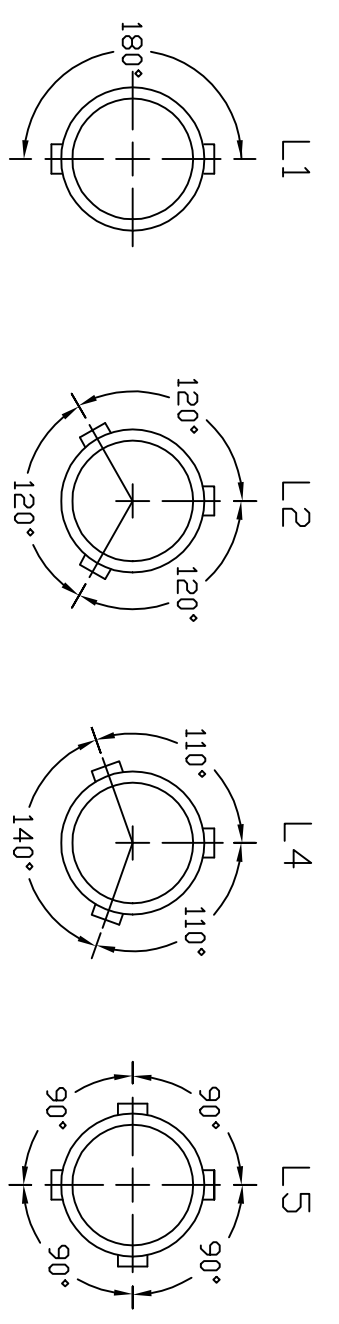
ELECTRICAL
 IMPEDANCE: NON-CONSTANT
 VOLTAGE RATING: 400 VRMS
 INSULATION RESISTANCE: 5,000 MEGOHMS

CONNECTOR MEETS MIL-PRF-39012



"L4" LUG LOCATION SHOWN

RECOMMENDED PANEL CUTOUT



LINEAR MEASURE:	(INCH)	(mm)
THIRD ANGLE PROJECTION		
TOLERANCES UNLESS OTHERWISE SPECIFIED		
No. OF PLACES	INCH [mm]	
ONE PLACE	±.1 [±.3]	
TWO PLACES	±0.02 [±.5]	
THREE PLACES	±0.010 [±.25]	
ANGLES ±1°		

BNC TRIAX JACK RECEPTACLE

CAT. NO. 30JR120-

CAGE NO: 09922 SIZE: B

CUSTOMER

INTERPRET THIS DRAWING IN ACCORDANCE WITH ASME Y14.5M - 1994

REV	DESCRIPTION	DATE	BY	DATE	CHKD	DATE
B	REDRAWN ON SOURIAU FORMAT	11-22-04	DS	11-22-04	RGL	

DRAWING TITLE: BNC TRIAX JACK RECEPTACLE

DRAWING NO. 30JR120-1 OF 1

APPROVAL: DRAWN: DS 11-19-04, CHKD: BM 11-19-04, DSGN: RL 11-19-04, MFG: RR 11-19-04, QC: DK 11-19-04

DRAWING SCALE: N/A

DRAWING NO. 30JR120 REV B

www.souriau.com