

4

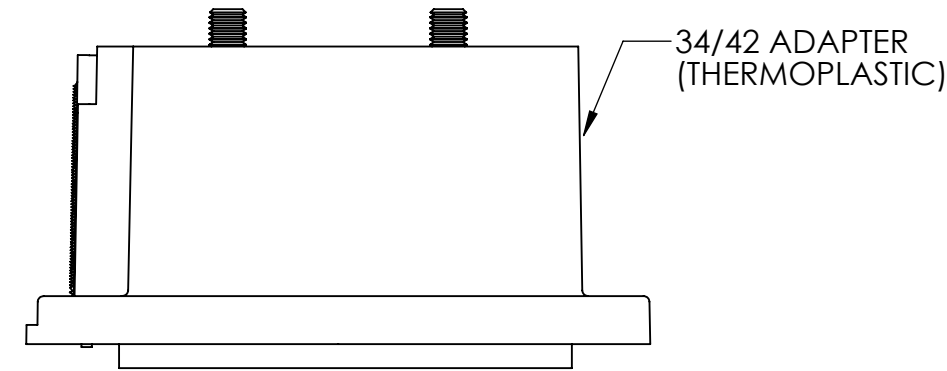
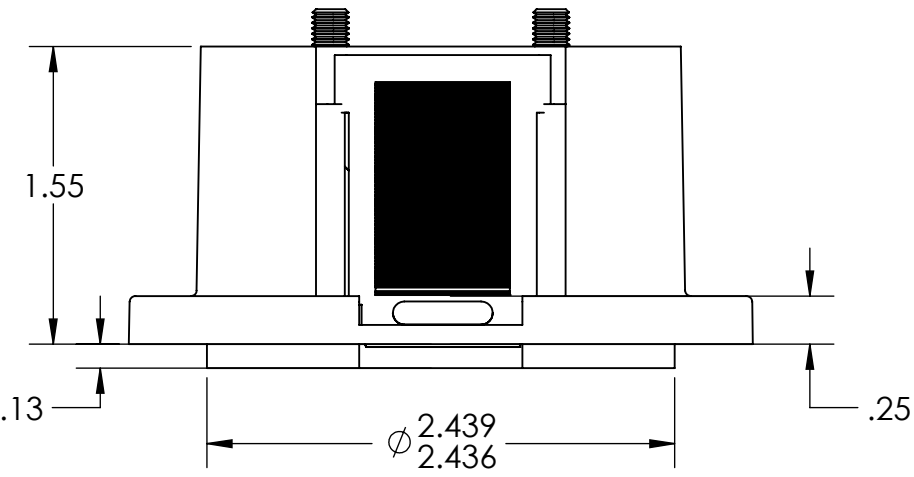
3

2

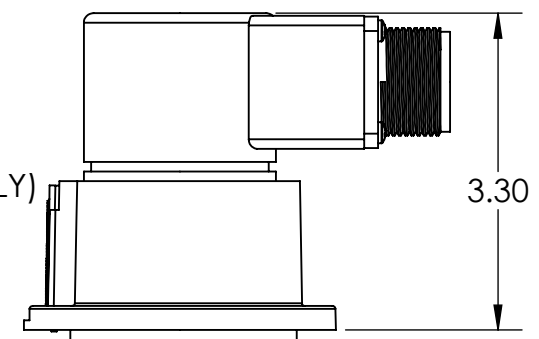
1

ZONE	REV.	REVISION DESCRIPTION	ECN NO.	DATE
	A	Ø1.625 WAS Ø1.875	10893	01/19/22

Mat Bagnoli



SHOWN WITH H20EB-F12 (SOLD SEPARATELY)

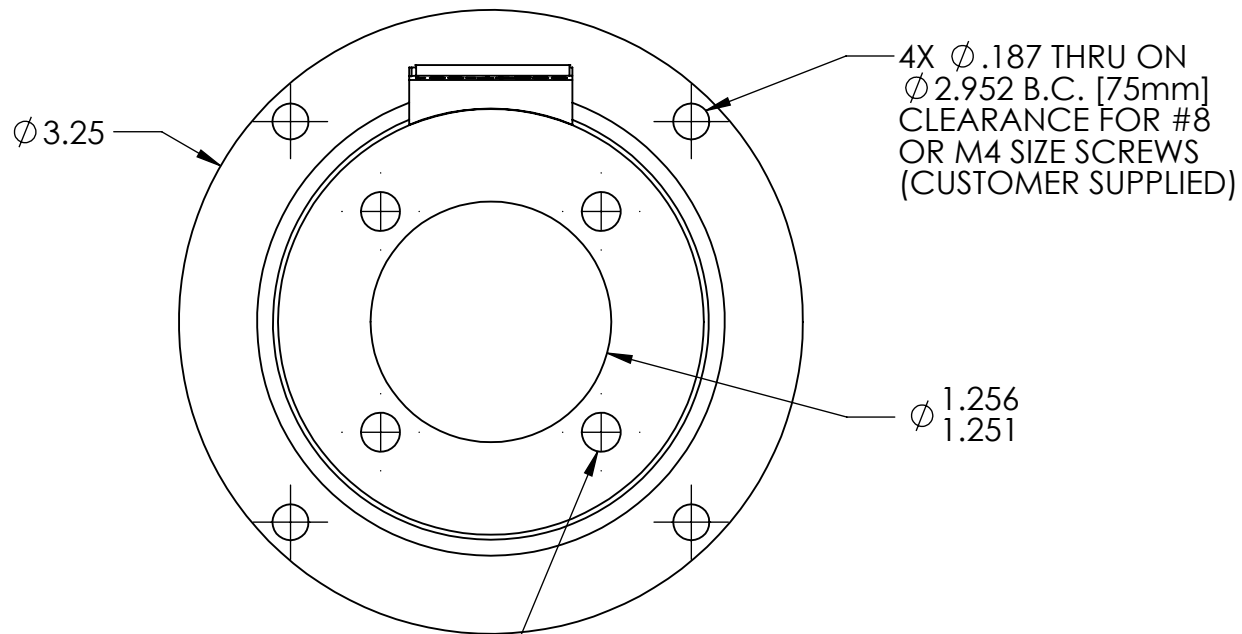


D

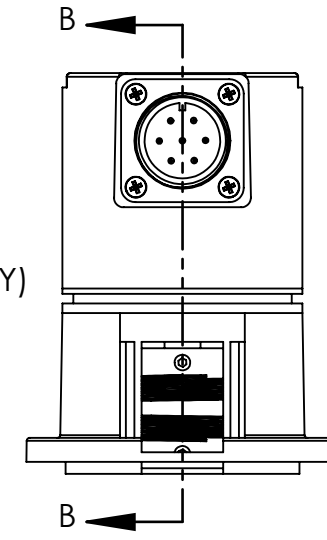
D

C

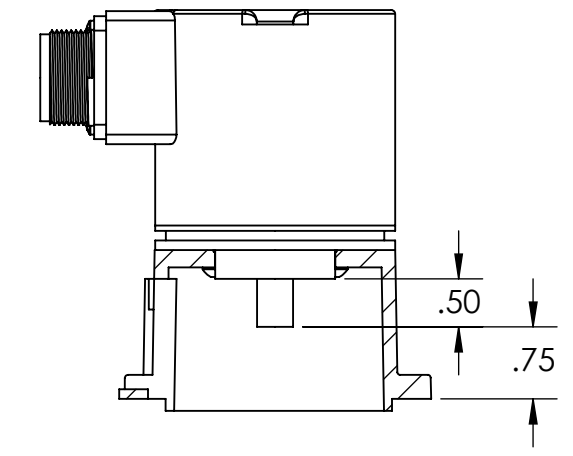
C



SHOWN WITH H25E-F45 AND COUPLING (SOLD SEPARATELY)



SHOWN WITH SLIDING PLATE REMOVED



SECTION B-B SCALE 1 : 2

B

B

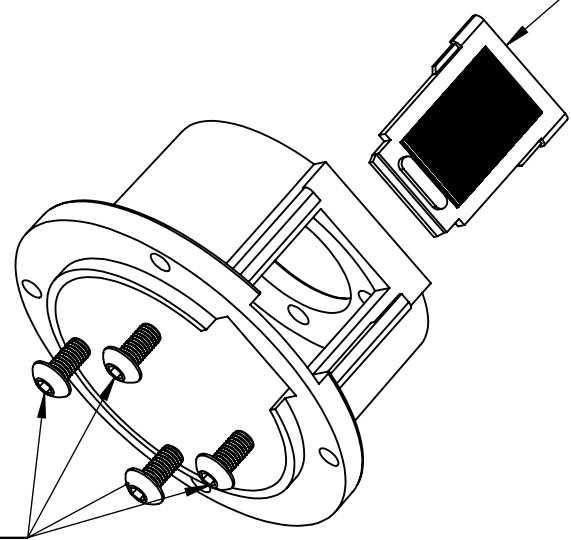
4X Ø .203 THRU ON Ø 1.625 B.C. (FITS H25E WITH F45 AND H20E WITH F12)

SLIDING PLATE FOR COUPLING ACCESS

NOTE: USE ENCODER WITH .50 SHAFT EXTENSION FOR PROPER CLEARANCE

KIT INCLUDES:
34/42 ADAPTER, SCREWS
AND ACCESS PLATE

4X #10-32 X 3/8
BUTTON HEAD
SCREWS (1/8 HEX)



UNCONTROLLED COPY

FIRST ISSUE DATE: 04/17/19
 DRAWN: DRC
 APPROVED: MFB
 DATE: 04/17/19
 ECN:
 DATE:
 MATERIAL:
 THERMOPLASTIC,
 CRES STEEL

SENSATA TECHNOLOGIES PROPRIETARY AND CONFIDENTIAL. NEITHER THIS PRINT NOR THE INFORMATION CONTAINED HEREON IS TO BE USED AGAINST THE INTERESTS OF SENSATA TECHNOLOGIES OR AGAINST THE INTERESTS OF ANY OF ITS AFFILIATED COMPANIES OR WHOLLY OWNED SUBSIDIARIES.

INTERPRET DIMENSIONING AND TOLERANCING PER ASME Y14.5-2009. UNLESS OTHERWISE SPECIFIED DIMENSIONS ARE IN INCHES [MILLIMETERS] AND ARE INTENDED AS NOMINAL SEE PRODUCT SPECIFICATIONS FOR MORE DETAILS.

DO NOT SCALE DRAWING

THIRD ANGLE PROJECTION

Sensata Technologies BEI SENSORS
 1461 LAWRENCE DRIVE
 THOUSAND OAKS, CA 93120

TITLE P/N 31170-001 NEMA 34/42 MOTOR ADAPTER KIT FOR H20/H25		
SIZE B	DWG NO. 09908-001	REV. A
SCALE 1:1	SOLIDWORKS	SHEET 1 OF 2

A

A

4

3

2

1

DEVICE: PROJECT:

4

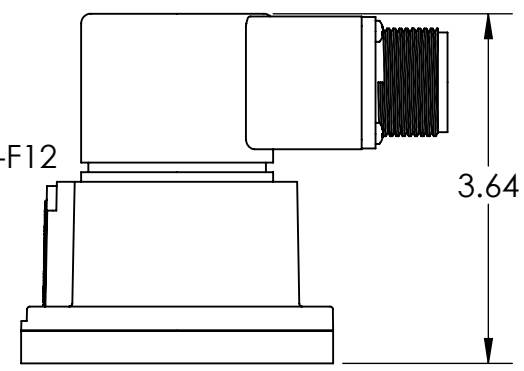
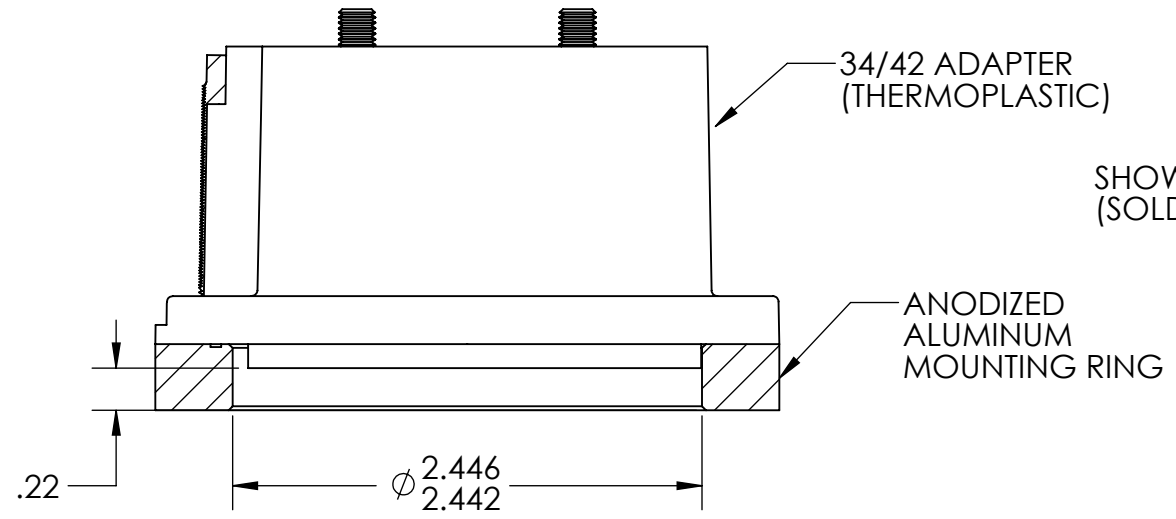
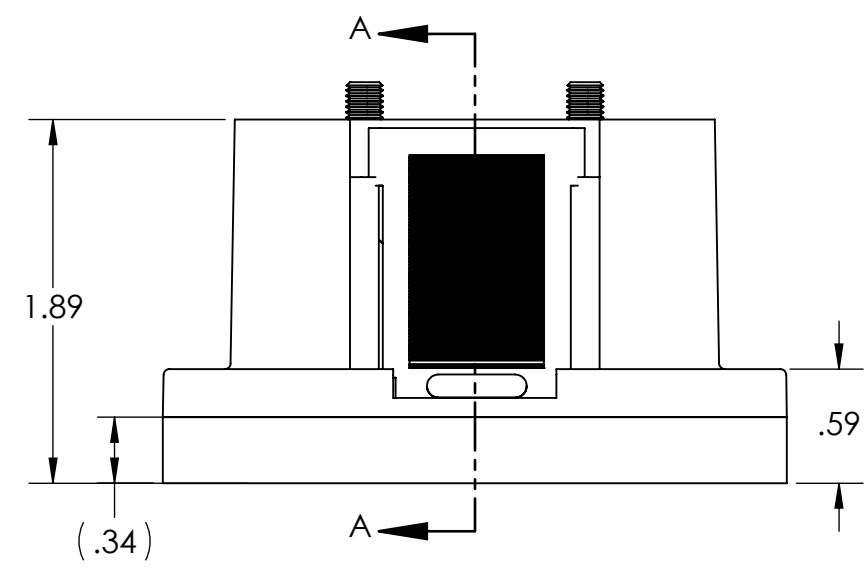
3

2

1

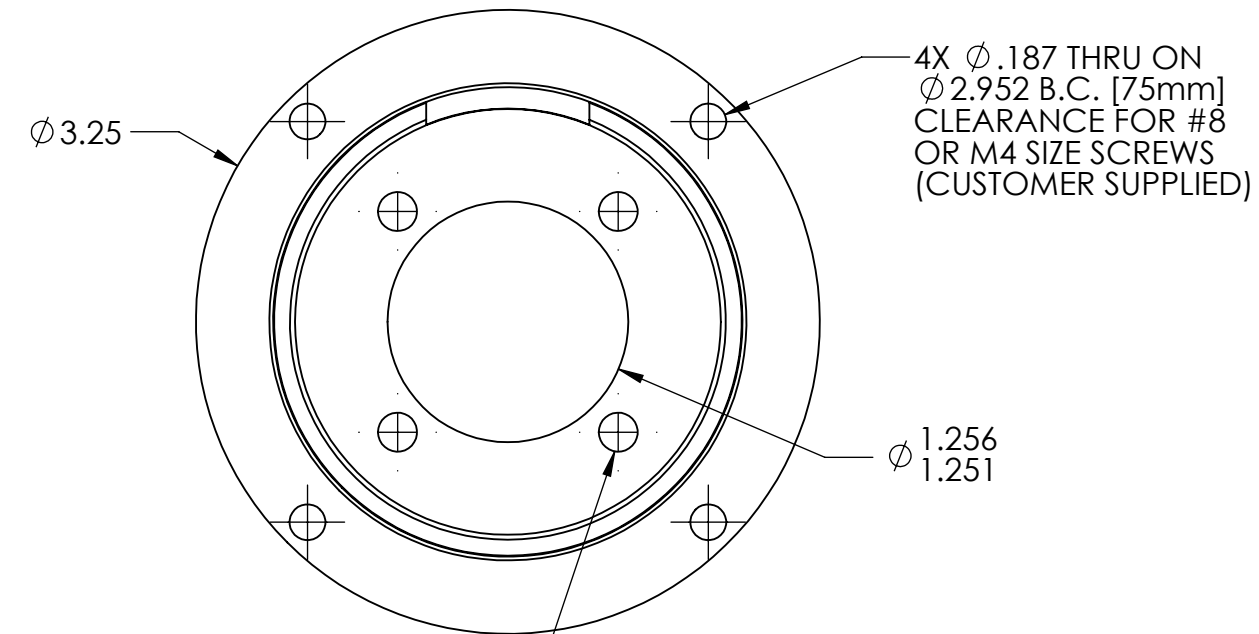
ZONE	REV.	REVISION DESCRIPTION	ECN NO.	DATE
	A	Ø1.625 WAS Ø1.875	10893	01/19/22

D

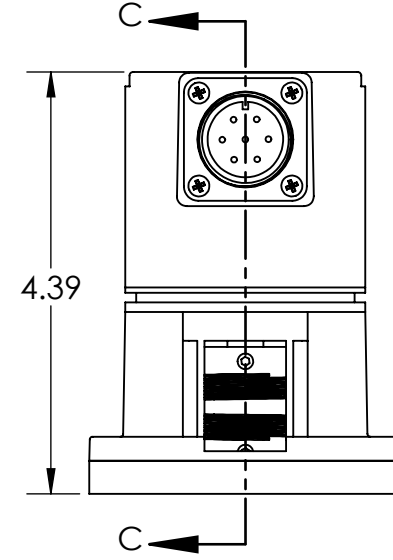


D

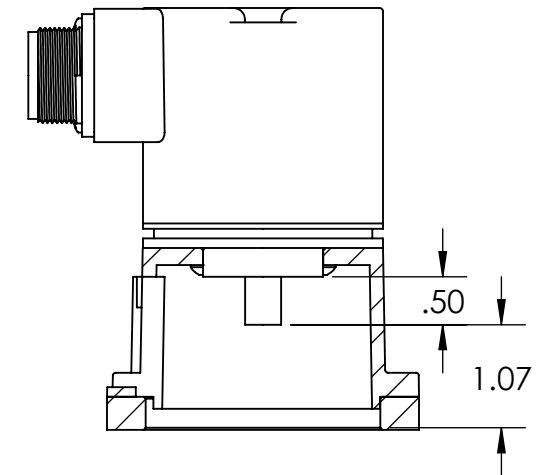
C



SHOWN WITH H25E-F45 AND COUPLING (SOLD SEPARATELY)



SHOWN WITH SLIDING PLATE REMOVED



SECTION C-C SCALE 1:2

C

B

4X Ø .203 THRU ON Ø 1.625 B.C. (FITS H25E WITH F45 AND H20E WITH F12)

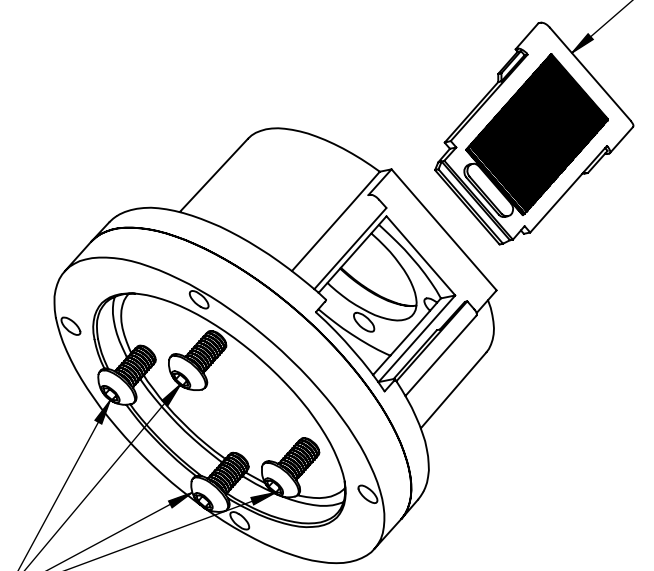
SLIDING PLATE FOR COUPLING ACCESS

NOTE: USE ENCODER WITH .50 SHAFT EXTENSION FOR PROPER CLEARANCE

A

KIT INCLUDES: 34/42 ADAPTER, ADAPTOR RING, ACCESS PLATE AND SCREWS

4X #10-32 X 3/8 BUTON HEAD HEX SOCKET (1/8 HEX)



UNCONTROLLED COPY			
FIRST ISSUE DATE: 04/17/19	SENSATA TECHNOLOGIES PROPRIETARY AND CONFIDENTIAL. NEITHER THIS PRINT NOR THE INFORMATION CONTAINED HEREON IS TO BE USED AGAINST THE INTERESTS OF SENSATA TECHNOLOGIES OR AGAINST THE INTERESTS OF ANY OF ITS AFFILIATED COMPANIES OR WHOLLY OWNED SUBSIDIARIES.	BEI SENSORS 1461 LAWRENCE DRIVE THOUSAND OAKS, CA 93120	
DRAWN: DRC		TITLE P/N 31170-003 NEMA 34/42 MOTOR ADAPTER FOR H20/H25	
APPROVED: MFB	INTERPRET DIMENSIONING AND TOLERANCING PER ASME Y14.5-2009. UNLESS OTHERWISE SPECIFIED DIMENSIONS ARE IN INCHES [MILLIMETERS] AND ARE INTENDED AS NOMINAL SEE PRODUCT SPECIFICATIONS FOR MORE DETAILS.	SIZE	DWG NO.
DATE: 04/17/19		B	09908-001
ECN:		SCALE	1:1
DATE:	DO NOT SCALE DRAWING	THIRD ANGLE PROJECTION	SOLIDWORKS
MATERIAL: THERMOPLASTIC; CRES STEEL; ANODIZED ALUMINUM			SHEET 2 OF 2

B

A

4

3

2

1

DEVICE:

PROJECT: