

4

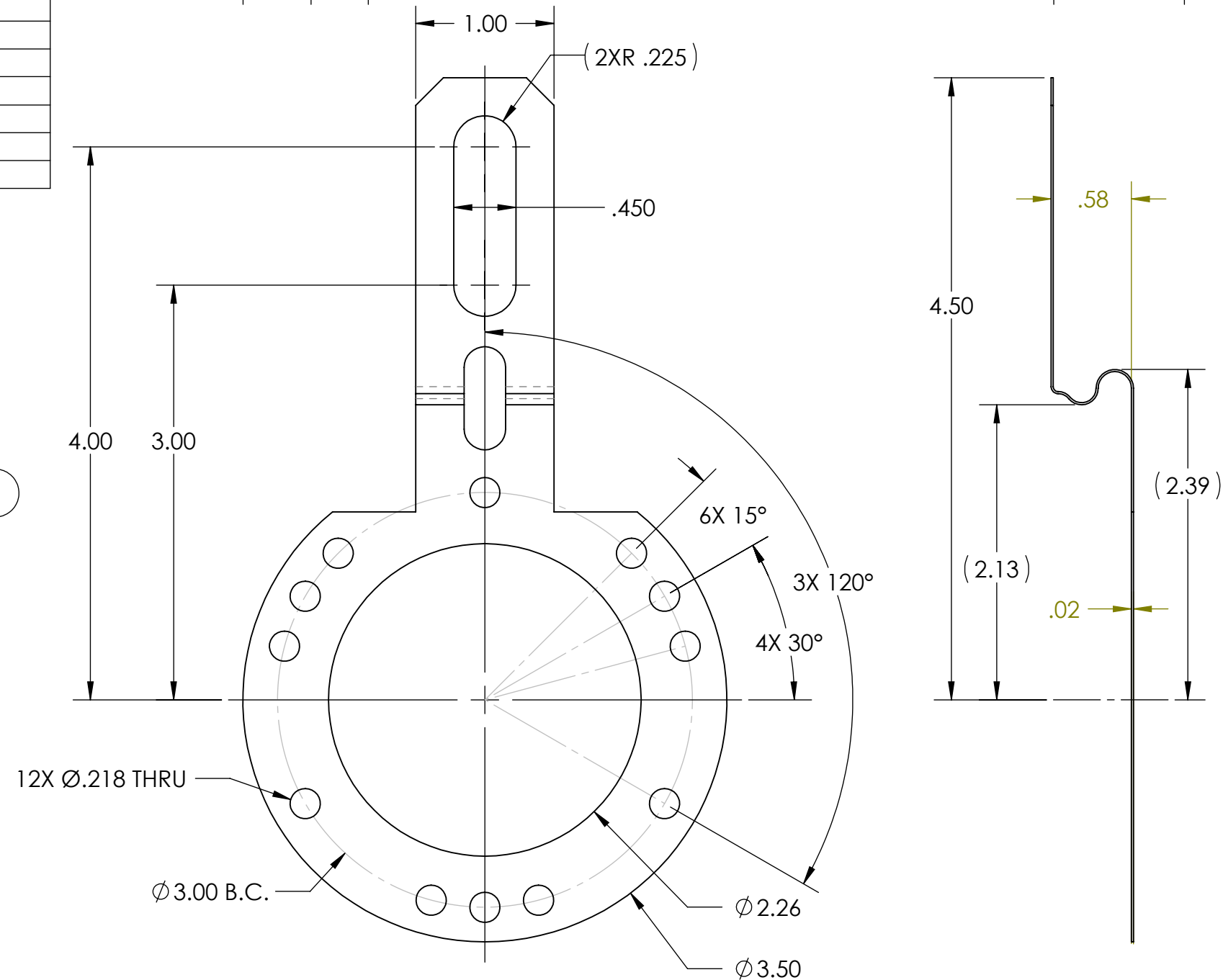
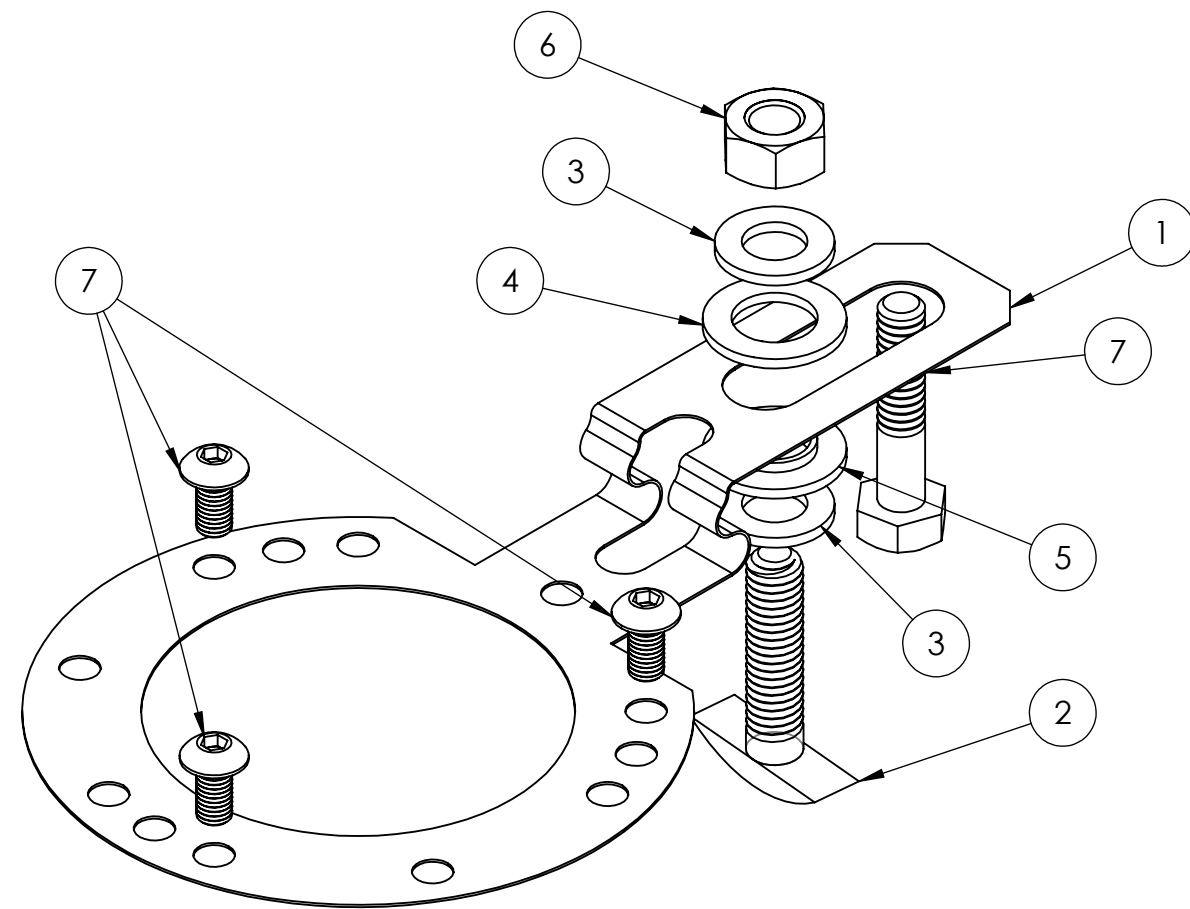
3

2

1


ITEM NO.	PART NO.	DESCRIPTION	QTY.
1	38334-007	TETHER ARM	1
2	33029-002	ZINC PLATED T-BOLT	1
3	MS15795-813	5/16 FLAT WASHER	2
4	25031-001	NYLON FLAT-WASHER	1
5	25030-006	NYLON SHOULDER WASHER	1
6	MS35690-510	5/16-18UNC HEX NUT	1
7	330BX-10323/8L	HEX SOCKET HEAD SCREW	3
8	330HHCS5/1611/4	HEX HEAD CAP SCREW	1

ZONE	REV.	REVISION DESCRIPTION	ECN NO.	DATE



ORDER P/N 31215-004

NOTE: THE TETHER ARM, NYLON WASHERS, FLAT WASHERS AND THREE #10-32 SCREWS WILL BE USED IN ALL INSTALLATIONS. EITHER THE T-BOLT OR THE HEX HEAD BOLT WILL BE USED WITH OR WITHOUT THE HEX NUT DEPENDING UPON THE INSTALLATION REQUIREMENTS.

UNCONTROLLED COPY		 BEI SENSORS 1461 LAWRENCE DRIVE THOUSAND OAKS, CA 93120	
FIRST ISSUE DATE: 04/19/19	DRAWN: DRC	TITLE HS35 R2 TETHER ARM KIT	
APPROVED: MFB	DATE: 04/19/19		
ECN:	DATE:	INTERPRET DIMENSIONING AND TOLERANCING PER ASME Y14.5-2009. UNLESS OTHERWISE SPECIFIED DIMENSIONS ARE IN INCHES [MILLIMETERS] AND ARE INTENDED AS NOMINAL. SEE PRODUCT SPECIFICATIONS FOR MORE DETAILS.	
MATERIAL: CRES STEEL; NYLON (INSULATOR WASHERS); HALF HARD 300 SERIES STAINLESS STEEL (TETHER ARM)	DO NOT SCALE DRAWING		
SCALE 1:2		SOLIDWORKS	
SIZE B		DWG NO. 09916-001	
SHEET 1 OF 1		REV. .	

4

3

2

1

DEVICE:

PROJECT: