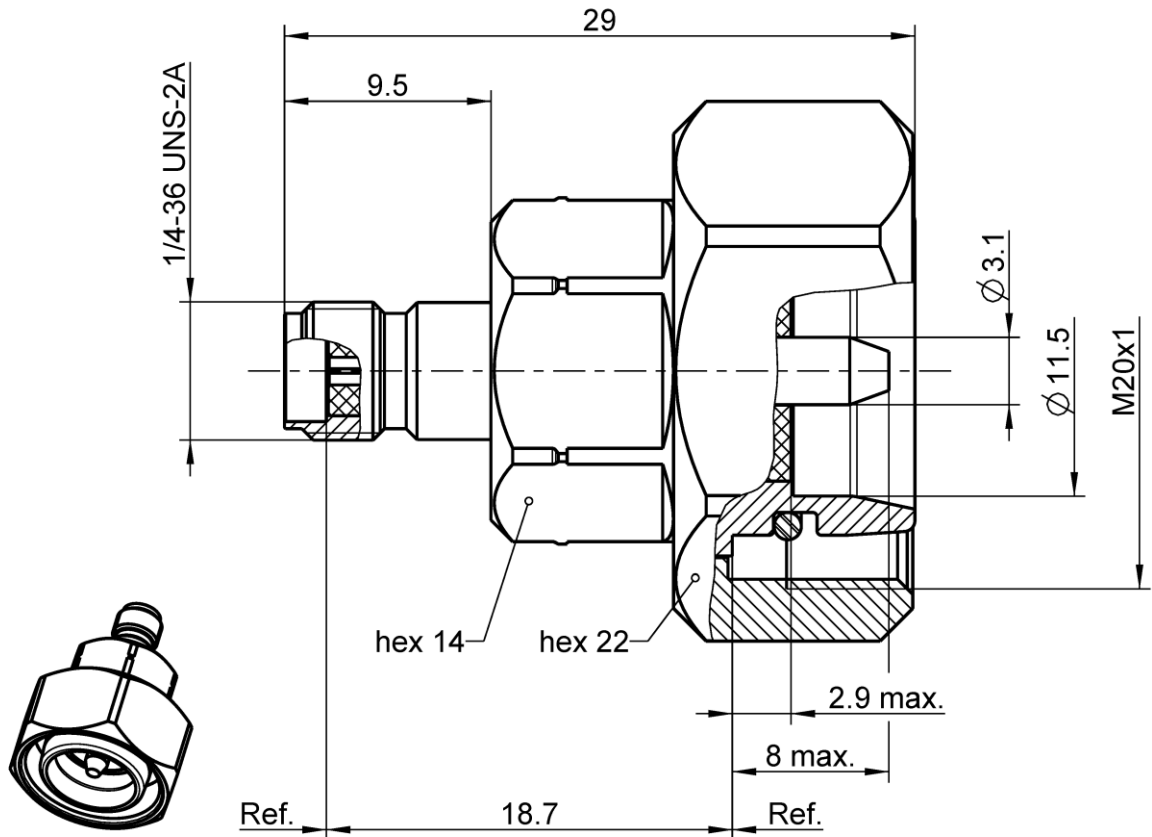


SMA

Adaptor
4.3-10 plug – SMA Jack

32K164-S00N1



All dimensions are in mm; tolerances according to ISO 2768 m-H

Interface

According to 4.3-10 side: IEC 61169-54
SMA side: IEC 60169-15, EN 122110, MIL-STD-348A, Fig. 310

Documents

N/A

Material and plating

Connector parts

Center contact 4.3-10 side:
Center contact SMA side:
Body
Dielectric
Gasket

Material
Brass
CuBe
Brass
PTFE
Silicone

Plating

Silver, 3-6 µm
AuroDur®, gold plated
Flash white bronze over silver(e.g. Optargen®)

SMA

Adaptor
4.3-10 plug – SMA Jack

32K164-S00N1

Electrical data

| | |
|---|--|
| Impedance | 50 Ω |
| Frequency | DC to 12 GHz |
| Return loss | ≥ 36 dB @ DC to 4 GHz ≥ 32 dB @ 4 GHz to 6 GHz |
| Insertion loss | ≤ 0.05 x √ f [GHz] dB |
| Insulation resistance | ≥ 5 GΩ |
| Center contact resistance | ≤ 1.0 mΩ, 4.3-10 side ≤ 3 mΩ, SMA side |
| Outer contact resistance | ≤ 1.0 mΩ, 4.3-10 side ≤ 2 mΩ, SMA side |
| Test voltage | 1000 V rms |
| Working voltage | 480 V rms |
| RF-leakage | ≥ 100 dB @ DC to 1 GHz |
| Power handling (at 20 °C, sea level, VSWR 1.0) | ≤ 200 W @ 2 GHz |
| Intermodulation (3 rd order) valid for 4.3-10 only | ≥ 160 dBc (2 x 46 dBm) @ 0.4 – 4.0 GHz ≥ 166 dBc (2 x 43 dBm) @ 0.4 – 4.0 GHz |

Mechanical data

| | | |
|-----------------------------------|-------------|--------------|
| | 4.3-10 side | SMA side |
| Mating cycles | ≥ 100 | min. 500 |
| Center contact captivation: axial | ≥ 30 N | ≥ 20 N |
| radial | > 5 Ncm | ≥ 1 Ncm |
| Center contact retention force | 1.5 - 20 N | |
| Recommended torque | 5 Nm | 0.8 – 1.1 Nm |

Environmental data

| | |
|-----------------------------------|--|
| Temperature range | -55 °C to +90 °C operating temperature |
| Thermal shock | IEC 60169-1, Sub-clause 16.4 |
| Corrosion resistance | ISO 21207 method B |
| Vibration | IEC 61169-1 9.3.3 and IEC 60068-2-64 |
| Shock | IEC 61169-1 9.3.14 |
| Degree of protection (mated pair) | IEC 60529, IP68 1h / 25m |
| RoHS | compliant |

Tooling

N/A

Suitable cables

N/A

Weight

Weight 32.7 g/pce

While the information has been carefully compiled to the best of our knowledge, nothing is intended as representation or warranty on our part and no statement herein shall be construed as recommendation to infringe existing patents. In the effort to improve our products, we reserve the right to make changes judged to be necessary.

For the installation of the electrotechnical equipment, particular electrotechnical expertise is required.



Dieses Dokument ist urheberrechtlich geschützt • This document is protected by copyright • Rosenberger Hochfrequenztechnik GmbH & Co. KG

RF_35/09.14/6.2

| | | | | | | | |
|---------------|----------|-------------|----------|------|---------------------------|----------------|----------|
| Draft | Date | Approved | Date | Rev. | Engineering change number | Name | Date |
| F. Fraunhofer | 30.04.13 | Chr. Janßen | 09.11.20 | b00 | 20-1927 | S. Huber-Siegl | 09.11.20 |

| | | | | | | |
|--|--|--|--|--|--|---------------|
| Rosenberger Hochfrequenztechnik GmbH & Co. KG P.O.Box 1260 D-84526 Tittmoning Germany www.rosenberger.de | | | | Tel. : +49 8684 18-0 Email : info@rosenberger.de | | Page 2 / 2 |
|--|--|--|--|--|--|---------------|