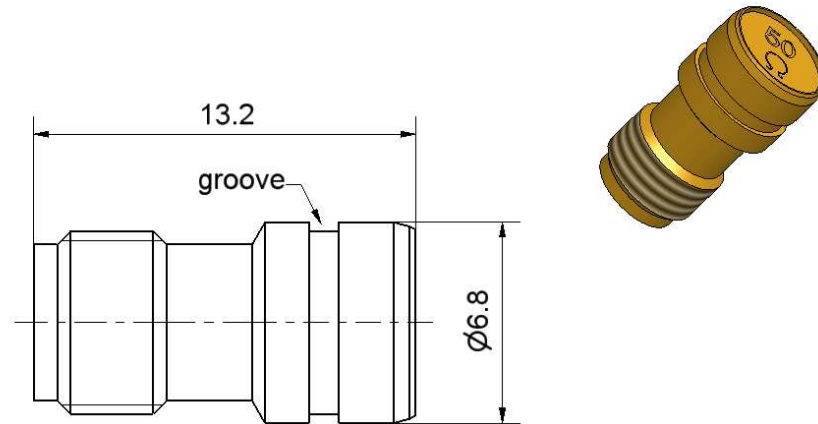


SMA

Termination
Jack 1 Watt

32K17R-001E3



All dimensions are in mm; tolerances according to ISO 2768 m-H

Interface

According to

IEC 60169-15; EN 122110; MIL-STD-348

Documents

N/A

Material and plating

Connector parts

Center conductor
Outer conductor
Dielectric
Substrate
Insulator

Material

CuBe
Brass
PTFE
Al₂O₃
Silicone

Plating

Gold, min. 1.27 µm, over nickel
Gold, min. 0.8 µm, over nickel

Dieses Dokument ist urheberrechtlich geschützt • This document is protected by copyright • Rosenberger Hochfrequenztechnik GmbH & Co. KG

RF_35/09;14/6.2

SMA

Termination
Jack 1 Watt

32K17R-001E3

Electrical data

Impedance 50 Ω
 Frequency range DC to 18 GHz
 Return loss ≥ 32.2 dB, DC to 2 GHz
 ≥ 26.4 dB, 2 GHz to 8 GHz
 ≥ 21.2 dB, 8 GHz to 12.4 GHz
 ≥ 20.8 dB, 12.4 GHz to 18 GHz
 Power handling 1 W at 25 °C

Mechanical data

Mating cycles ≥ 100
 Maximum torque 1.70 Nm
 Recommended torque 0.90 Nm

Environmental data

Temperature range - 55 °C to +155 °C
 RoHS compliant

Packing

Standard 100 pcs in blister
 Weight 1.7 g/pce

While the information has been carefully compiled to the best of our knowledge, nothing is intended as representation or warranty on our part and no statement herein shall be construed as recommendation to infringe existing patents. In the effort to improve our products, we reserve the right to make changes judged to be necessary.

Draft	Date	Approved	Date	Rev.	Engineering change number	Name	Date
Kerstin Herzog	03.11.04	Markus Müller	07.11.16	c00	15-1629	Marion Striegler	07.11.16
Rosenberger Hochfrequenztechnik GmbH & Co. KG P.O.Box 1260 D-84526 Tittmoning Germany www.rosenberger.de						Tel. : +49 8684 18-0 Email : info@rosenberger.de	
							Page
							2 / 2