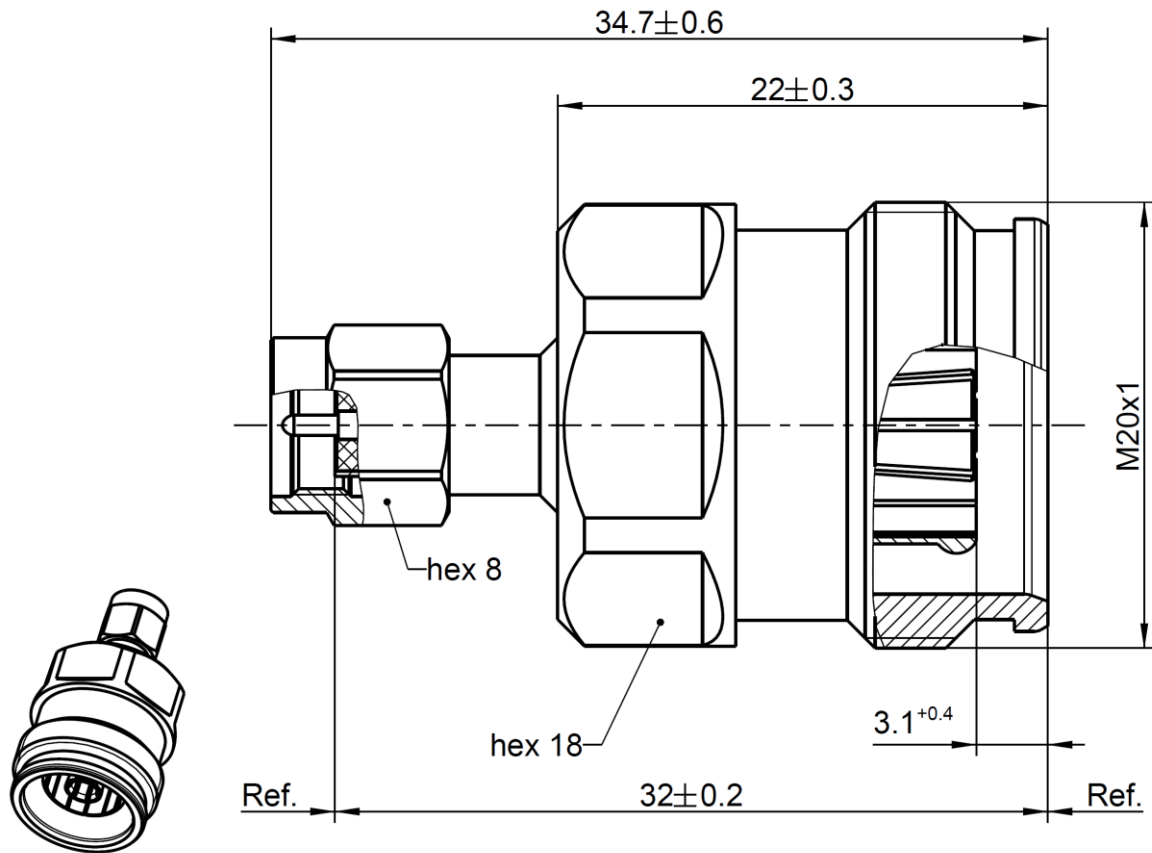


4.3-10  
SMA

Adaptor  
4.3-10 jack – SMA plug

**32S164-K00N1**



All dimensions are in mm; tolerances according to ISO 2768 m-H

**Interface**

According to 4.3-10 side: IEC 61169-54  
SMA side: IEC 60169-15, EN 122110, MIL-STD-348A, Fig. 310

**Documents**

Assembly instruction N/A

**Material and plating**

**Connector parts**

Center contact	4.3-10 side:	<b>Material</b>	<b>Plating</b>
Center contact	SMA side:	CuBe	Silver, 3-6 µm
Outer contact	4.3-10 side:	Brass	AuroDur®, gold plated
Body		Brass	Silver, 3-6 µm
Dielectric		PTFE	White bronze(e.g. Optalloy®)
Gasket		Silicone	

Dieses Dokument ist urheberrechtlich geschützt • This document is protected by copyright • Rosenberger Hochfrequenztechnik GmbH & Co. KG

RF\_35/05.10/6.0

4.3-10  
SMA

Adaptor  
4.3-10 jack – SMA plug

**32S164-K00N1**

**Electrical data**

Impedance 50 Ω  
 Frequency DC to 12 GHz  
 Return loss ≥ 36 dB @ DC to 4 GHz  
 ≥ 32 dB @ 4 GHz to 6 GHz  
 Insertion loss ≤ 0.05 x √ f [GHz] dB  
 Insulation resistance ≥ 5 GΩ  
 Center contact resistance ≤ 1.0 mΩ, 4.3-10 side ≤ 3 mΩ, SMA side  
 Outer contact resistance ≤ 1.0 mΩ, 4.3-10 side ≤ 2 mΩ, SMA side  
 Test voltage 1000 V rms  
 Working voltage 480 V rms  
 RF-leakage ≥ 100 dB @ DC to 1 GHz  
 Power handling (at 20 °C, sea level, VSWR 1.0) ≤ 200 W @ 2 GHz

**Mechanical data**

	4.3-10 side	SMA side
Mating cycles	≥ 100	min. 500
Recommended torque	5 Nm	0.8 – 1.1 Nm
Coupling nut retention	N/A	≥ 270 N

**Environmental data**

Temperature range -55 °C to +90 °C operating temperature  
 Thermal shock IEC 61169-1 9.4.4  
 Corrosion resistance ISO 21207 method B  
 Vibration IEC 61169-1 9.3.3 and IEC 60068-2-64  
 Shock IEC 61169-1 9.3.14  
 Degree of protection (mated pair) IEC 60529, IP68 1h / 25m  
 RoHS compliant

**Tooling**

N/A

**Suitable cables**

N/A

**Weight**

Weight 34.35 g/pce

While the information has been carefully compiled to the best of our knowledge, nothing is intended as representation or warranty on our part and no statement herein shall be construed as recommendation to infringe existing patents. In the effort to improve our products, we reserve the right to make changes judged to be necessary.

For the installation of the electrotechnical equipment, particular electrotechnical expertise is required.



Dieses Dokument ist urheberrechtlich geschützt • This document is protected by copyright • Rosenberger Hochfrequenztechnik GmbH & Co. KG

RF\_35/05.10/6.0

Draft	Date	Approved	Date	Rev.	Engineering change number	Name	Date
F. Fraunhofer	30.04.13	Chr. Janßen	17.11.2020	b00	20-1927	S. Huber-Siegl	17.11.2020
Rosenberger Hochfrequenztechnik GmbH & Co. KG P.O.Box 1260 D-84526 Tittmoning Germany <a href="http://www.rosenberger.de">www.rosenberger.de</a>					Tel. : +49 8684 18-0 Fax : +49 8684 18-499 Email : <a href="mailto:info@rosenberger.de">info@rosenberger.de</a>		Page 2 / 2