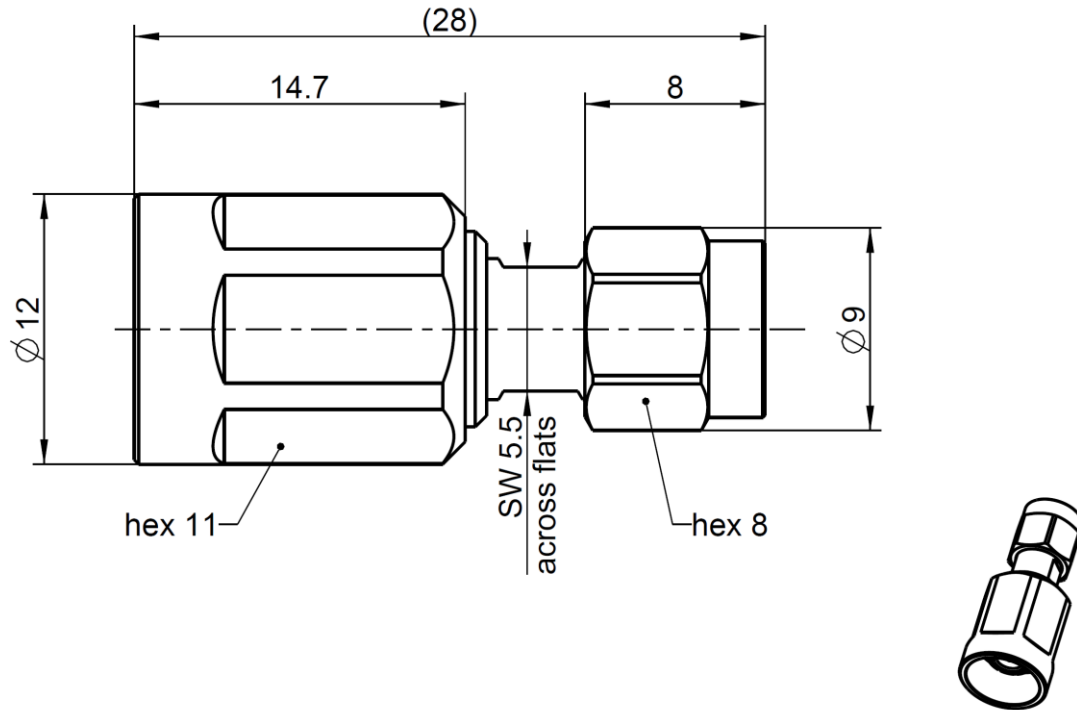


Adaptor
NEX10 Plug – SMA Plug

32S189-S00N5



All dimensions are in mm; tolerances according to ISO 2768 m-H

Interface

According to	NEX10 side:	NEX10™
	SMA side:	IEC 60169-15, EN 122110, MIL-STD-348

Documents

Assembly instruction	N/A
----------------------	-----

Material and Plating

Connector parts

Center contact		Material	Brass	Plating	AuroDur®, gold plated
Outer contact	NEX10 side:		Spring bronze		Silver, 3-6 µm
Outer contact	SMA side:		Brass		White bronze(e.g. Optalloy®)
Body			Brass		White bronze(e.g. Optalloy®)
Dielectric			PTFE		
Gasket			Silicone		

Dieses Dokument ist urheberrechtlich geschützt • This document is protected by copyright • Rosenberger Hochfrequenztechnik GmbH & Co. KG

RF_35/05.10/6.0

Adaptor
NEX10 Plug – SMA Plug

32S189-S00N5

Electrical Data

Impedance	50 Ω
Frequency	DC to 12 GHz
Return loss	≥ 30 dB @ DC to 8 GHz
Insertion loss	≤ 0.05 x √ f [GHz] dB
Insulation resistance	≥ 5 GΩ
Center contact resistance	≤ 2.0 mΩ, NEX10 side ≤ 3 mΩ, SMA side
Outer contact resistance	≤ 1.0 mΩ, NEX10 side ≤ 2 mΩ, SMA side
Working voltage	500 V rms
RF-leakage	≥ 100 dB @ DC to 1 GHz
Power handling (at 20 °C, sea level, VSWR 1.0)	≤ 200 W @ 2 GHz

Mechanical Data

	NEX10 side	SMA side
Mating cycles	≥ 100	≥ 100
Recommended torque	1.5 Nm	0.5 Nm

Environmental Data

Temperature range	-55 °C to +125 °C operating temperature
Thermal shock	IEC 61169-1 9.4.4
Vibration	IEC 61169-1 9.3.3 and IEC 60068-2-64
Shock	IEC 61169-1 9.3.14
Degree of protection (mated pair)	IEC 60529, IP68 24h / 1m
RoHS	compliant

Tooling

N/A

Suitable Cables

N/A

Weight

9.3 g/pc

While the information has been carefully compiled to the best of our knowledge, nothing is intended as representation or warranty on our part and no statement herein shall be construed as recommendation to infringe existing patents. In the effort to improve our products, we reserve the right to make changes judged to be necessary.

Draft	Date	Approved	Date	Rev.	Engineering change number	Name	Date
F. Fraunhofer	12.01.17	F. Fraunhofer	14.05.2018	300	18-v332	B. Wollitzer	14.05.2018
Rosenberger Hochfrequenztechnik GmbH & Co. KG P.O.Box 1260 D-84526 Tittmoning Germany www.rosenberger.de						Tel. : +49 8684 18-0 Email : info@rosenberger.de	
							Page 2 / 2