

TW3967XF



TW3967XF Embedded Extended-Filter Triple-Band GNSS Antenna + L-Band

Frequency GPS/QZSS-L1/L2/L5, GLONASS-G1/G2/G3, Galileo-E1/E5a/E5b, BeiDou-B1/B2/B2a, NavIC-L5
Coverage: +L-band correction services

Overview

The TW3967XF is an embedded precision-tuned triple-band Accutenna® technology antenna providing coverage for triple-band GPS/QZSS-L1/L2/L5, GLONASS-G1/G2/G3, Galileo-E1/E5a/E5b, BeiDou-B1/B2/B2a, NavIC-L5, including the satellite-based augmentation system (SBAS) available in the region of operation [WAAS (North America), EGNOS (Europe), MSAS (Japan), or GAGAN (India)], plus L-Band correction services. It is especially designed for precision triple-frequency positioning.

The radio frequency spectrum has become more congested as new LTE bands are activated and their signals or harmonic frequencies [e.g. 800MHz x 2 = 1600MHz (GLONASS-G1)] can affect GNSS antennas and receivers. In North America, planned Ligado signals at 1525 - 1536 MHz can especially impact GNSS antennas that support space-based L-band correction services (1539 - 1559 MHz). New LTE signals in Europe [Band 32 (1452 - 1496 MHz)] and Japan [Bands 11 and 21 (1476 - 1511 MHz)] have also been observed to interfere with GNSS signals. In addition, Inmarsat satellite communication (uplink: 1626.5 - 1660.5 MHz) can also affect GNSS signals. The new Tallysman XF antennas have been designed to mitigate out-of-band signals and prevent GNSS antenna saturation. Tallysman's custom XF filtering mitigates all existing signals and new Ligado and LTE signals, enabling the antennas and attached GNSS receivers to perform optimally.

Ideal for autonomous vehicle tracking and guidance, precision agriculture, and other applications where precision matters, the TW3972XF provides superior multipath signal rejection, a linear phase response, and tight phase centre variation (PCV).

The TW3967XF features a precision-tuned, twin circular dual-feed, stacked patch element. The signals from the two orthogonal feeds are combined in a hybrid combiner, amplified in a wideband LNA, then band-split for narrow filtering in each band and further amplified prior to recombination at the output. The antenna also has a strong pre-filter to mitigate inter-modulated signal interference from Ligado, LTE and other cellular bands. The TW3967XF offers excellent axial ratio and a tightly grouped phase centre variation.

The standard TW3967 antenna (28 dB gain) and the low-gain extended-filter TW3967LGXF antenna (20 dB gain) are also available.



Applications

- Autonomous vehicle tracking and guidance
- Triple-frequency RTK and PPP receivers
- Precision GNSS position
- Precision agriculture
- Network timing & synchronization
- Law enforcement and public safety

Features

- Very low noise preamp (< 2.0 dB typ.)
- Low axial ratio (< 2.0 dB typ.)
- Tight phase centre variation
- LNA gain (28 dB typ.)
- Low current (45 mA typ.)
- ESD circuit protection (15 kV)
- Invariant performance from 2.5 to 16 VDC
- REACH and RoHS compliant

Benefits

- Excellent interference mitigation
- Excellent multipath rejection
- Increased system accuracy
- Excellent signal-to-noise ratio

About Tallysman: With global headquarters and manufacturing in Ottawa, Canada, Tallysman is a leading manufacturer of high-precision antennas and components for Global Navigation Satellite System (GNSS) applications. Tallysman's mission is to support the needs of a new generation of positioning systems by delivering unprecedented antenna precision at competitive prices. Learn more at www.tallysman.com

Contact us:
info@tallysman.com
T: +1 613 591-3131

TW3967XF Embedded Extended-Filter Triple-Band GNSS Antenna + L-Band

Frequency Coverage: GPS/QZSS-L1/L2/L5, GLONASS-G1/G2/G3, Galileo-E1/E5a/E5b, BeiDou-B1/B2/B2a, NavIC-L5
+L-band correction services

Antenna			
Technology		Dual-feed stacked RHCP ceramic patch	
		Gain dBic typ. at Zenith	Axial Ratio dB at Zenith
GNSS			
GPS / QZSS	L1	4	< 1.0
	L2	4	< 1.0
	L5	-1.5	< 1.5
GLONASS	G1	2.5	< 1.5
	G2	2.5	< 1.5
	G3	2.5	< 1.5
Galileo	E1	4	< 1.0
	E5A	-1.5	< 1.5
	E5B	2.5	< 1.5
	E6	-	-
BeiDou	B1	4	< 1.0
	B2	2.5	< 1.5
	B2a	-1.5	< 1.5
	B3	-	-
IRNSS / NavIC	L5	-1.5	< 1.5
QZSS	L6	-	-
L-Band Services (1525 MHz - 1559 MHz)		3.5	< 1.0
Satellite Communications			
Iridium	-	-	-
Globalstar	-	-	-
Other			
Axial Ratio at 10°	-	Efficiency	-
PC Variation	± 10 mm	PCO	-

Mechanicals	
Size	60 mm (dia.) x 14.9 mm (h.) [100 mm ground plane recommended]
Weight	70 g (excluding cable)
Radome	-
Mount	5 x M2 screws
Available Connectors	Please refer to ordering guide

Environmental	
Operating Temperature	-40 °C to + 85 °C
Storage Temperature	-55 °C to + 95 °C
Vibration	MIL-STD-810D Method 514.4 and 514.5
Shock	Vertical axis: 50 G, other axes: 30 G
Salt Fog	-
IP Rating	Not Applicable
Compliance	IPC-A-610, FCC, RED / CE Mark, RoHS, REACH

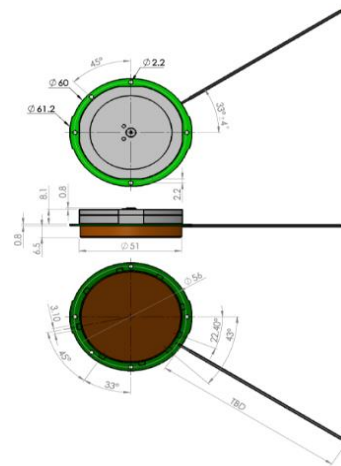
Warranty:	
Parts and Labour	1-year standard warranty

Low Noise Amplifier (LNA) - Measured at 3V and 25 °C

	Frequency Bandwidth	Out of Band Rejection
Lower Band	1160 - 1255 MHz	≥ 70 dB @ ≤ 1050 MHz ≥ 65 dB @ ≤ 1125 MHz ≥ 70 dB @ ≥ 1350 MHz
L-Band - Correction Services	-	-
Upper Band	1559 - 1606 MHz	≥ 65 dB @ ≤ 1500 MHz ≥ 45 dB @ ≤ 1525 MHz ≥ 05 dB @ ≤ 1536 MHz ≥ 30 dB @ ≥ 1626 MHz ≥ 65 dB @ ≥ 1650 MHz

Architecture Pre-filter → LNA stage 1 → filter → LNA stage 2
Gain 28 dB typ.
Noise Figure 2.0 dB typ. @ 25 °C
VSWR < 1.5:1 typ. 1.8:1 max.
Supply Voltage Range 2.5 to 16 VDC nominal, up to 50mV p-p ripple
Supply Current 45 mA typ. @ 25 °C,
ESD Circuit Protection 15 kV air discharge
P 1dB Output 5.1 dBm typ.
Group Delay 12 ns @ (L1+G1) | 7 ns @ (L5+L2+G2)

Mechanical Diagram



Ordering Information

Part Number **33-3967XF-xx-zzzz**

Where xx = connector type, zzzz = cable length in mm (where applicable)

Please refer to our **Ordering Guide** to review available radomes and connectors at:
<https://www.tallysman.com/resource/tallysman-ordering-guide/>