

HC977XF



HC977XF Extended-Filter Triple-Band Helical Antenna + L-Band

Frequency: GNSS/QZSS-L1/L2/L5, GLONASS-G1/G2/G3, Galileo-E1/E5a/E5b, BeiDou-B1/B2/B2a, NavIC-L5
Coverage: + L-Band correction services

Overview

The patented HC977XF helical antenna is designed for precision positioning, covering the GPS/QZSS-L1/L2/L5, GLONASS-G1/G2/G3, Galileo-E1/E5a/E5b, BeiDou-B1/B2/B2a, and NavIC-L5 frequency bands, including the satellite-based augmentation system (SBAS) available in the region of operation [WAAS (North America), EGNOS (Europe), MSAS (Japan), or GAGAN (India)], as well as L-Band correction services.

Weighing only 42 g, the light and compact HC977XF features a precision-tuned helix element that provides excellent axial ratios and operates without the requirement of a ground plane, making it ideal for a wide variety of applications, including unmanned aerial vehicles (UAVs).

The HC977XF features an industry-leading low current, low-noise amplifier (LNA) that includes an integrated low-loss pre-filter. eXtended Filtering was added to the HC977 antenna to mitigate new radio frequency bands that interfere with GNSS signals. For example, new LTE bands have been activated, and their signal or harmonic frequencies can affect GNSS antennas and receivers. In North America, the planned Ligado service, which will broadcast in the frequency range of 1526 to 1536 MHz, can affect GNSS antennas that receive space-based L-band correction service signals (1539 - 1559 MHz). Similarly, new LTE signals in Europe [Band 32 (1452 - 1496 MHz)] and Japan [Bands 11 and 21 (1476 - 1511 MHz)] have also affected GNSS signals. Lastly, the Inmarsat satellite communication uplink (1626.5 - 1660.5 MHz), commonly used on maritime vessels, can also affect nearby GNSS antennas.

Field tests have confirmed that Tallysman's custom XF filtering mitigates the new (Europe and Japan) and existing LTE signals, enabling the XF antenna to produce clean and pure GNSS radio frequency data.

All Tallysman housed helical antenna elements are protected by a robust military-grade IP69K-compliant plastic enclosure. The enclosure's base provides two threaded inserts for secure attachment, as well as a rubber O-ring around the outer edge to seal the antenna base and its integrated male SMA connector.

Tallysman's helical family has passed a rigorous 30-hour vibration test procedure, consisting of five cycles of 2-hour tests per axis (x, y, z):

- Cycle 1: 1.05 Grms;
- Cycle 2: 1.20 Grms;
- Cycle 3: 1.35 Grms;
- Cycle 4: 3.67 Grms;
- Cycle 5: 3.67 Grms.

For mounting instructions, visit:

https://www.tallysman.com/downloads/Helical_Mounting_Instruction.pdf



Applications

- Autonomous unmanned aerial vehicles (UAVs)
- Precision GNSS positioning
- Precision land survey positioning
- Mission-critical GNSS timing
- Network timing and synchronization
- Sea and land container tracking
- Fleet management and asset tracking
- Marine and avionics systems
- Law enforcement and public safety

Features

- Very low noise preamp (2.5 dB typ.)
- Axial ratio (≤ 0.5 dB at zenith)
- LNA gain (28 dB typ. | 35 dB typ.)
- Low current (25 mA typ. | 31 mA typ.)
- ESD circuit protection (15 kV)
- Invariant performance from 2.2 to 16 VDC
- IP69K, REACH, and RoHS compliant

Benefits

- Extremely light (42 g)
- Ideal for RTK and PPP surveying systems
- Excellent RH circular polarized signal reception
- Great multipath rejection
- Increased system accuracy
- Excellent signal-to-noise ratio
- Industrial temperature range
- Rugged design, ideal for harsh environments

About Tallysman: With global headquarters and manufacturing in Ottawa, Canada, Tallysman is a leading manufacturer of high-precision antennas and components for Global Navigation Satellite System (GNSS) applications. Tallysman's mission is to support the needs of a new generation of positioning systems by delivering unprecedented antenna precision at competitive prices. Learn more at www.tallysman.com

Contact us:
info@tallysman.com
T: +1 613 591-3131

HC977XF Extended-Filter Triple-Band Helical Antenna + L-Band

Frequency Coverage: GNSS/QZSS-L1/L2/L5, GLONASS-G1/G2/G3, Galileo-E1/E5a/E5b, BeiDou-B1/B2/B2a, NavIC-L5
+ L-Band correction services

Antenna Technology Triple-frequency, RHCP quadrifilar helix

		Gain	Axial Ratio
		dBic typ. at Zenith	dB at Zenith
GNSS			
GPS / QZSS	L1	2.5	≤ 0.5
	L2	2	≤ 0.5
	L5	1	≤ 0.5
GLONASS	G1	1.5	≤ 0.5
	G2	1.1	≤ 0.5
	G3	2.6	≤ 0.5
Galileo	E1	2.5	≤ 0.5
	E5A	1.1	≤ 0.5
	E5B	2.2	≤ 0.5
	E6	-	-
BeiDou	B1	2.5	≤ 0.5
	B2	2.7	≤ 0.5
	B2a	1	≤ 0.5
	B3	-	-
IRNSS / NavIC	L5	1	≤ 0.5
QZSS	L6	-	-
L-Band Services (1525 MHz - 1559 MHz)		1.5	≤ 0.5
Satellite Communications			
Iridium		-	-
Globalstar		-	-
Other			
Axial Ratio at 10°	-	Efficiency	-
PC Variation	± 3.0 mm (all freq.)	PCO	-

Mechanicals

Mechanical Size	44.2 mm (dia.) x 62.4 mm (h.)
Weight	42 g
Radome	3x M2.5 screws
Mount	SMA (male)
Available Connectors	Radome and Base: EXL9330

Environmental

Operating Temperature	-40 °C to + 85 °C
Storage Temperature	-50 °C to + 95 °C
Vibration	MIL-STD-810E - Test method 514.5
Shock	MIL-STD-810E - Test method 514.5
Salt Fog	-
IP Rating	IP69K
Compliance	IPC-A-610, FCC, RED / CE Mark, RoHS, REACH

Warranty:

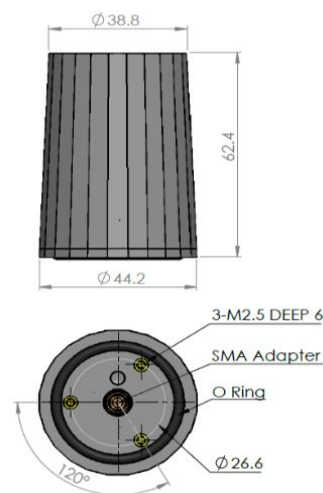
Parts and Labour	3-year standard warranty
-------------------------	--------------------------

Low Noise Amplifier (LNA) - Measured at 3V and 25°C

Frequency Bandwidth	Out of Band Rejection
Lower Band	1164 - 1255 MHz
L-Band - Correction Services	1164 - 1255 MHz
Upper Band	1559 - 1606 MHz
Pre-filter → LNA	
≥ 65 dB @ ≤ 1500 MHz ≥ 45 dB @ ≤ 1525 MHz ≥ 05 dB @ ≤ 1536 MHz ≥ 30 dB @ ≥ 1626 MHz ≥ 65 dB @ ≥ 1650 MHz	

Architecture	28 dB typ. 35 dB typ.
Gain	2.5 dB typ.
Noise Figure	< 1.5:1 typ. 1.8:1 max.
VSWR	2.2 to 16 VDC
Supply Voltage Range	25 mA typ. (28 dB) 31 mA typ. (35 dB)
Supply Current	15 kV air discharge
ESD Circuit Protection	13.3 dBm @ L1 13.1 dBm @ L2/L5
P 1dB Output	20 ns @ L1 18 ns @ L2 36 ns @ L5
Group Delay	20 ns @ L1 18 ns @ L2 36 ns @ L5

Mechanical Diagram



Ordering Information

Part Number	33-HC977XF-xx
	where xx = gain (28 or 35 dB)

Please refer to our **Ordering Guide** to review available radomes and connectors at: <https://www.tallysman.com/resource/tallysman-ordering-guide/>