

Features

- Miniature package for design flexibility
- Long operating life
- Conductive plastic element
- Bushing or PC board mount
- Quadrature output
- RoHS compliant*

3315 - 9 mm Square Sealed Incremental Encoder

Electrical Characteristics

| | |
|--------------------------------------|--------------------------------------------------------------------------------------|
| Output..... | 2-bit quadrature code, Channel A leads Channel B electrically turning clockwise (CW) |
| Closed Circuit Resistance..... | 5 ohms maximum |
| Contact Rating..... | TTL compatible loads |
| Insulation Resistance (500 VDC)..... | 1,000 megohms minimum |
| Dielectric Withstanding Voltage | |
| Sea Level..... | 900 VAC minimum |
| Electrical Travel..... | Continuous |
| Contact Bounce..... | 5 milliseconds maximum |
| RPM (Operating)..... | 120 maximum |

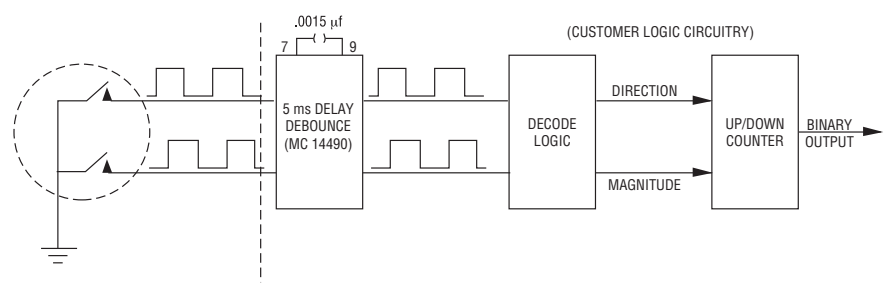
Environmental Characteristics

| | |
|----------------------------------|--------------------------------------------------|
| Operating Temperature Range..... | -40 °C to +125 °C (-40 °F to +257 °F) |
| Storage Temperature Range..... | -55 °C to +125 °C (-67 °F to +257 °F) |
| Humidity..... | MIL-STD-202, Method 103B, Condition B |
| Vibration..... | 30 G |
| Contact Bounce..... | 5.0 millisecond maximum |
| Shock..... | 100 G |
| Contact Bounce..... | 5.0 millisecond maximum |
| Rotational Life..... | 100,000 cycles @ 6 PPR 25,000 cycles @ 16 PPR |
| IP Rating..... | IP 67 |

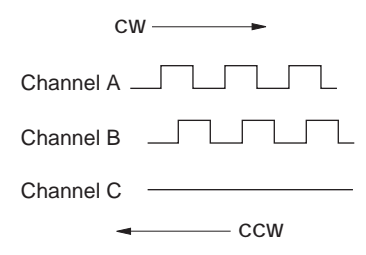
Mechanical Characteristics

| | |
|-------------------------------|---------------------------------------------------------------------------------------------------------------------------------------------|
| Mechanical Angle..... | 360 ° Continuous |
| Running Torque..... | 3.53 N-cm (5 oz.-in.) maximum |
| Mounting Torque | |
| Plastic Bushing..... | 45.19 N-cm (4.0 lb.-in.) maximum |
| Metal Bushing..... | 79 N-cm (7.0 lb.-in.) maximum |
| Weight..... | 4.5 gm (0.15 oz.) |
| Terminals.....Solderable pins | |
| Soldering Condition | |
| Manual Soldering..... | 96.5Sn/3.0Ag/0.5Cu solid wire or no-clean rosin cored wire; 370 °C (700 °F) max. for 3 seconds |
| Wave Soldering..... | 96.5Sn/3.0Ag/0.5Cu solder with no-clean flux; 260 °C (500 °F) max. for 5 seconds |
| Wash Processes..... | For recommended wash processes, please refer to http://www.bourns.com/pdfs/sldclen.pdf |
| Marking..... | Manufacturer's trademark, part number, and date code |
| Hardware..... | One lockwasher and one mounting nut are shipped with each encoder, except where noted in the part number. |

Suggested Incremental Control Diagram



Quadrature Output Table



WARNING Cancer and Reproductive Harm - www.P65Warnings.ca.gov

*RoHS Directive 2015/863, Mar 31, 2015 and Annex.
 Specifications are subject to change without notice.
 Users should verify actual device performance in their specific applications.
 The products described herein and this document are subject to specific legal disclaimers as set forth on the last page of this document, and at www.bourns.com/docs/legal/disclaimer.pdf.

3315 - 9 mm Square Sealed Incremental Encoder

BOURNS®

How to Order

3315 Y - 0 0 1 - 006 L

| | | | | | | |
|----------------------------------------------------------------|-------|-------|-------|-------|-------|-------|
| Model Number Designator _____ | _____ | _____ | _____ | _____ | _____ | _____ |
| 3315 = 9 mm Encoder | | | | | | |
| Terminal Style Designator _____ | _____ | _____ | _____ | _____ | _____ | _____ |
| C = In-line Straight Terminals Side Exit | | | | | | |
| R = In-line Terminals Rear Exit | | | | | | |
| P = 5.08 mm x 2.54 mm Triangular Pattern Rear Exit | | | | | | |
| Y = 5.08 mm x 5.08 mm Triangular Pattern Rear Exit | | | | | | |
| Shaft End Designator _____ | _____ | _____ | _____ | _____ | _____ | _____ |
| 0 = Shaft End Slotted | | | | | | |
| 1 = Shaft End Flatted | | | | | | |
| Shaft Length Designator _____ | _____ | _____ | _____ | _____ | _____ | _____ |
| 0 = 12.7 mm FMS Long Plastic Shaft (Available w/bushing only) | | | | | | |
| 1 = 19.05 mm FMS Long Plastic Shaft (Available w/bushing only) | | | | | | |
| 2 = 5.59 mm FMS (Bushingless version only) | | | | | | |
| Bushing Designator _____ | _____ | _____ | _____ | _____ | _____ | _____ |
| 1 = 6.35 mm x 6.35 mm Plastic | | | | | | |
| 2 = 6.35 mm x 6.35 mm Ni Plated Brass | | | | | | |
| 5 = Bushingless (Board Level) | | | | | | |
| Pulses per Revolution Code _____ | _____ | _____ | _____ | _____ | _____ | _____ |
| 006 = 6 PPR | | | | | | |
| 016 = 16 PPR | | | | | | |
| RoHS Identifier _____ | _____ | _____ | _____ | _____ | _____ | _____ |
| L = Compliant | | | | | | |

Specifications are subject to change without notice.

Users should verify actual device performance in their specific applications.

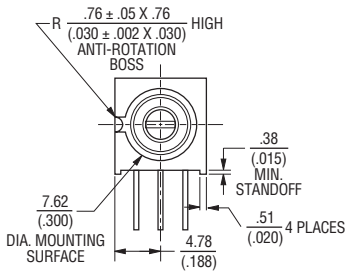
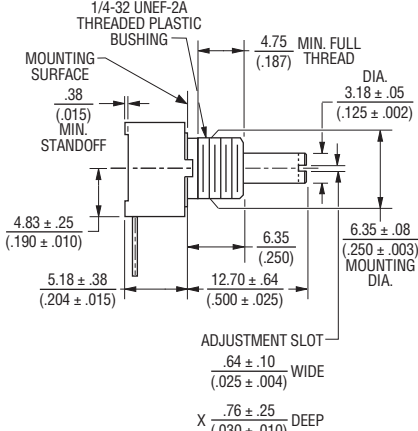
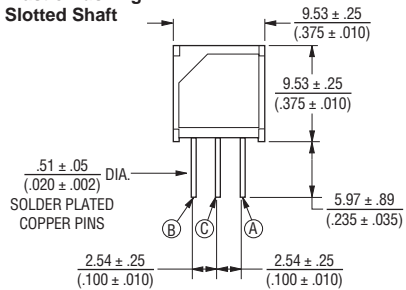
The products described herein and this document are subject to specific legal disclaimers as set forth on the last page of this document, and at www.bourns.com/docs/legal/disclaimer.pdf.

3315 - 9 mm Square Sealed Incremental Encoder

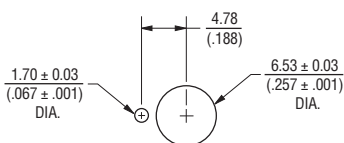
BOURNS®

Product Dimensions

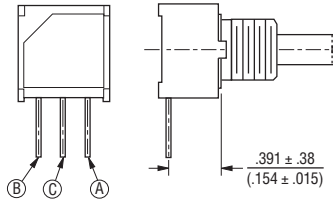
COMMON DIMENSIONS 3315-001 Plastic Bushing Slotted Shaft



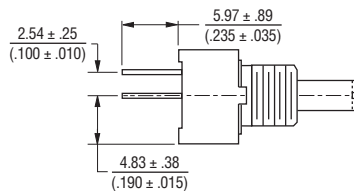
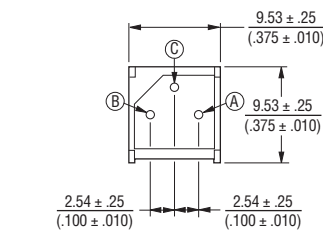
MOUNTING HOLE PATTERN



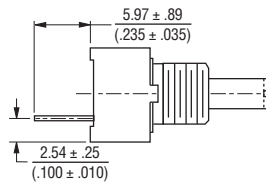
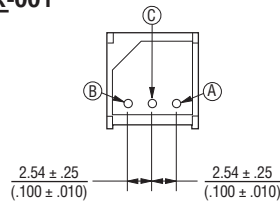
3315C-001



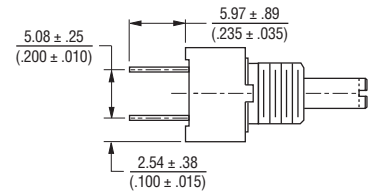
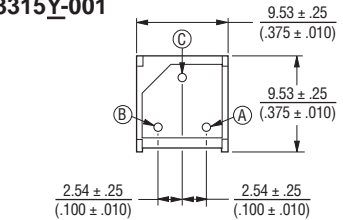
3315P-001



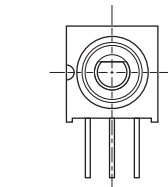
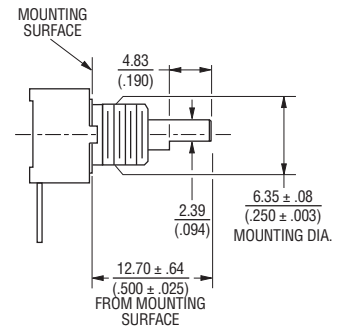
3315R-001



3315Y-001



COMMON DIMENSIONS 3315C-101 Plastic Flatted Shaft



DIMENSIONS: $\frac{\text{MM}}{\text{(INCHES)}}$

Specifications are subject to change without notice.

Users should verify actual device performance in their specific applications.

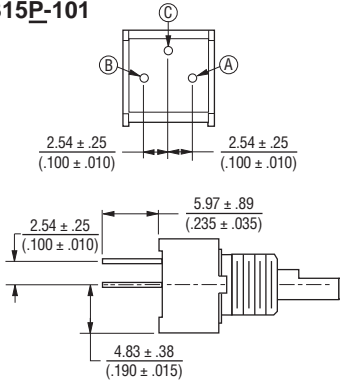
The products described herein and this document are subject to specific legal disclaimers as set forth on the last page of this document, and at www.bourns.com/docs/legal/disclaimer.pdf.

3315 - 9 mm Square Sealed Incremental Encoder

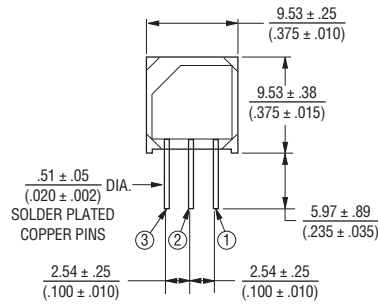
BOURNS®

Product Dimensions

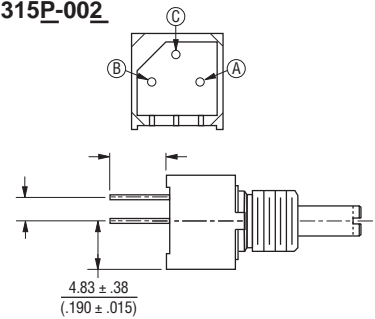
3315P-101



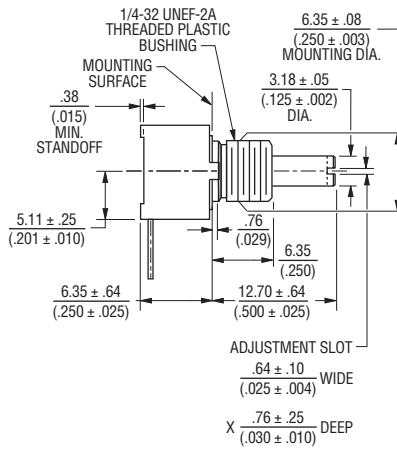
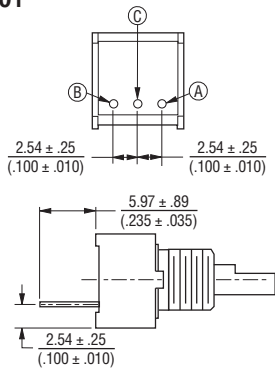
COMMON DIMENSIONS 3315-002 Metal Bushing



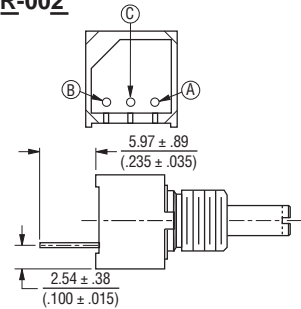
3315P-002



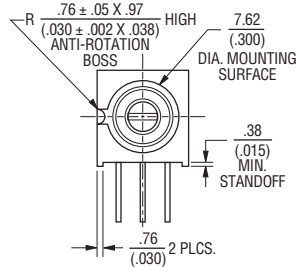
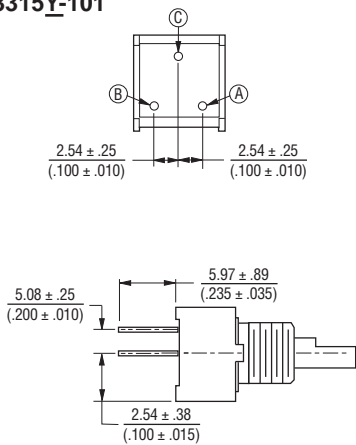
3315R-101



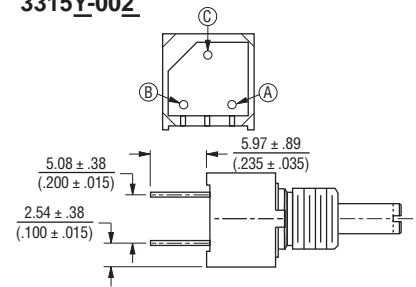
3315R-002



3315Y-101

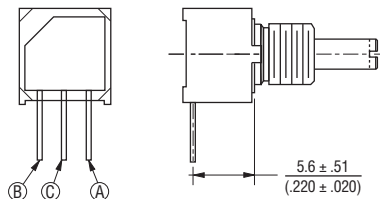


3315Y-002



DIMENSIONS: $\frac{\text{MM}}{\text{INCHES}}$

3315C-002



Specifications are subject to change without notice.

Users should verify actual device performance in their specific applications.

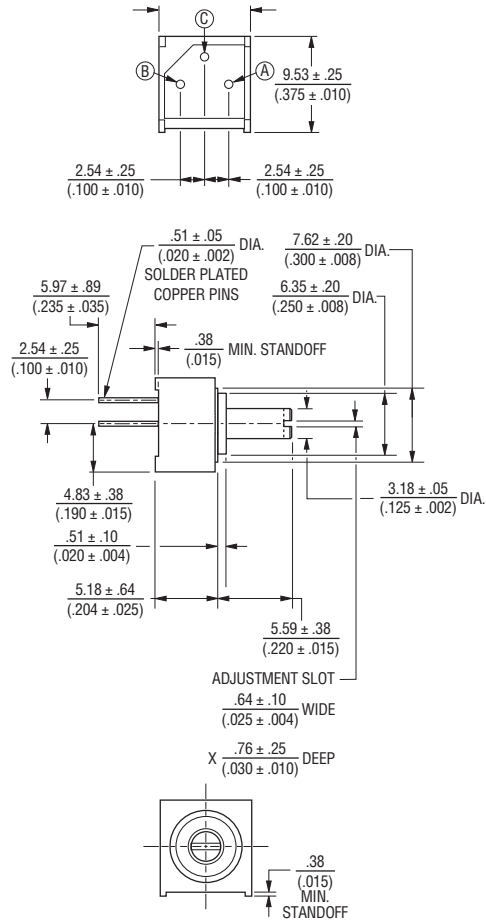
The products described herein and this document are subject to specific legal disclaimers as set forth on the last page of this document, and at www.bourns.com/docs/legal/disclaimer.pdf.

3315 - 9 mm Square Sealed Incremental Encoder

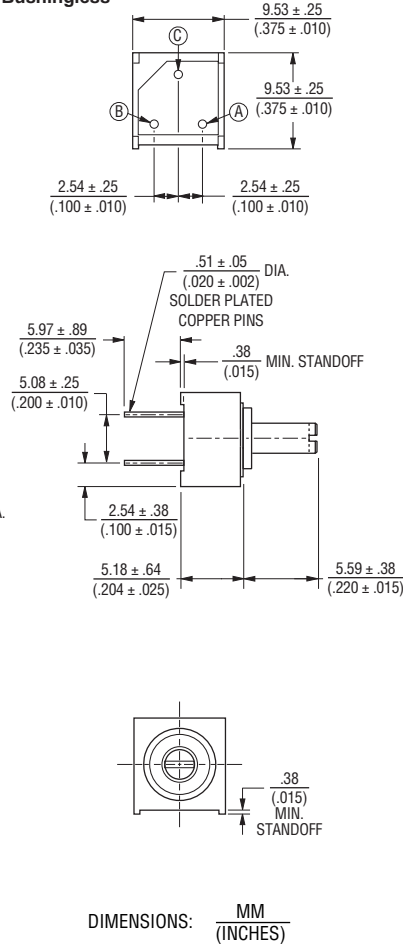
BOURNS®

Product Dimensions

3315P-025 Bushingsless



3315Y-025 Bushingsless



BOURNS®

Asia-Pacific:
Tel: +886-2 2562-4117 • Email: asiacus@bourns.com

Europe:
Tel: +36 88 885 877 • Email: eurocus@bourns.com

The Americas:
Tel: +1-951 781-5500 • Email: americus@bourns.com

www.bourns.com

REV. 09/19

Specifications are subject to change without notice.

Users should verify actual device performance in their specific applications.

The products described herein and this document are subject to specific legal disclaimers as set forth on the last page of this document, and at www.bourns.com/docs/legal/disclaimer.pdf.