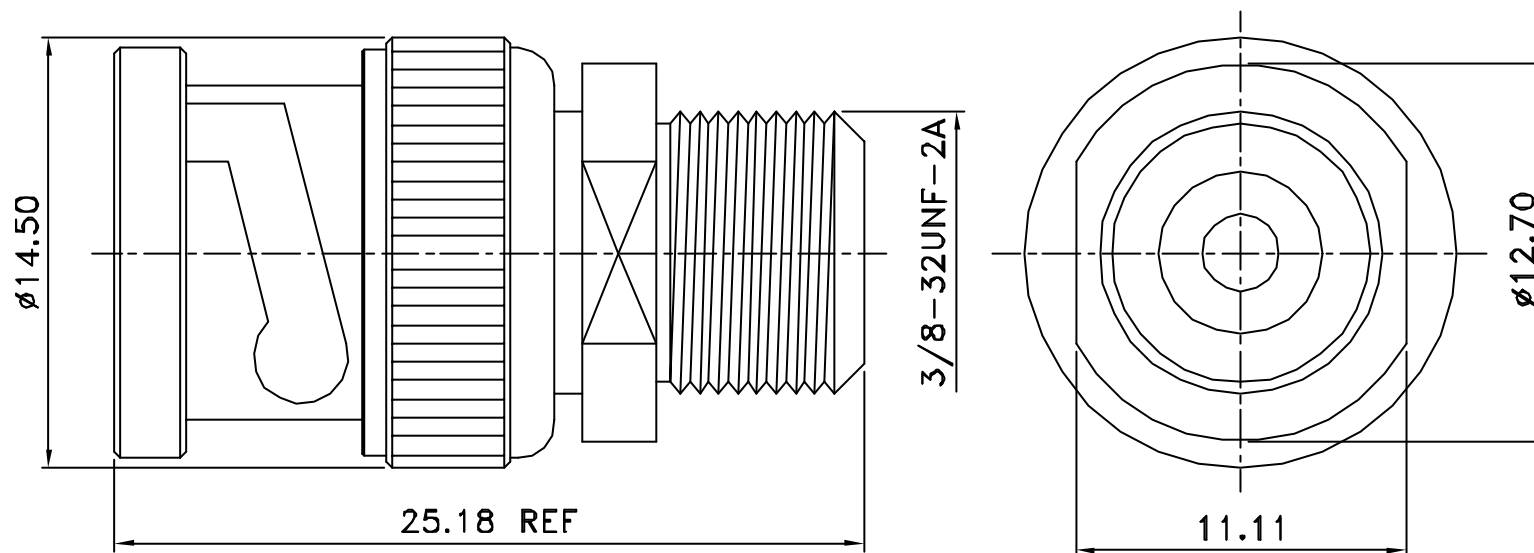


REV	DESCRIPTION	DRAWN	DATE



7	Gasket(G-006-R)	1	Rubber	Red
6	Retaining ring(W-020-SK5)	1	SK-5	Nickel
5	Spring(W-026-SK5)	1	SK-5	Nickel
4	Washer(W-021-l)	1	Iron	Nickel
3	Shell(S-009)	1	Brass	Nickel
2	Pin+Dielectric(C-02089)	1	Brass+Delrin	Gold
1	Body(B-02089)	1	Brass	Nickel
NO	Description	Q'ty	Material	Finish

UNLESS OTHERWISE SPECIFIED	* MAJOR DIMENSION	APPROVED	Bomar Interconnect Products, Inc.	
1.REMOVE ALL BURRS. 2.BREAK ALL CONNERS & EDGES CO.15 MAX. 3.CHAMFER 1ST & LAST THREADS 45°. 4.DIAMETERS ON COMMON CENTERS.	UNLESS OTHERWISE NOTED TOLERANCES 0.5-6=±0.2 6-30=±0.4 30-120=±0.6 120-315=±1.0 ANGLES=±1°	CHECKED	TITLE BNC MALE TO F FEMALE ADAPTER	
TO BE CONCENTRIC WITHIN 0.1 TIR	SCALE 4/1 UNIT MM	DRAWN JENNY	DRAWING NO. 3318505	REV A
5.ALL DIMENSIONS ARE AFTER PLATING.	DRAWN DATE 02/05/02	FILE NO. D:\DWG\COMPOSE\BNC\BNC-1374-DGN		