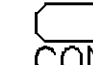
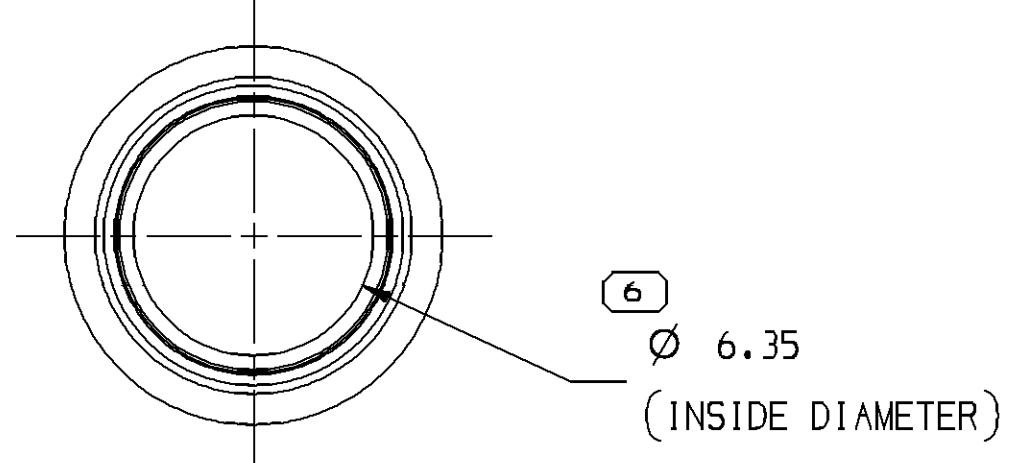


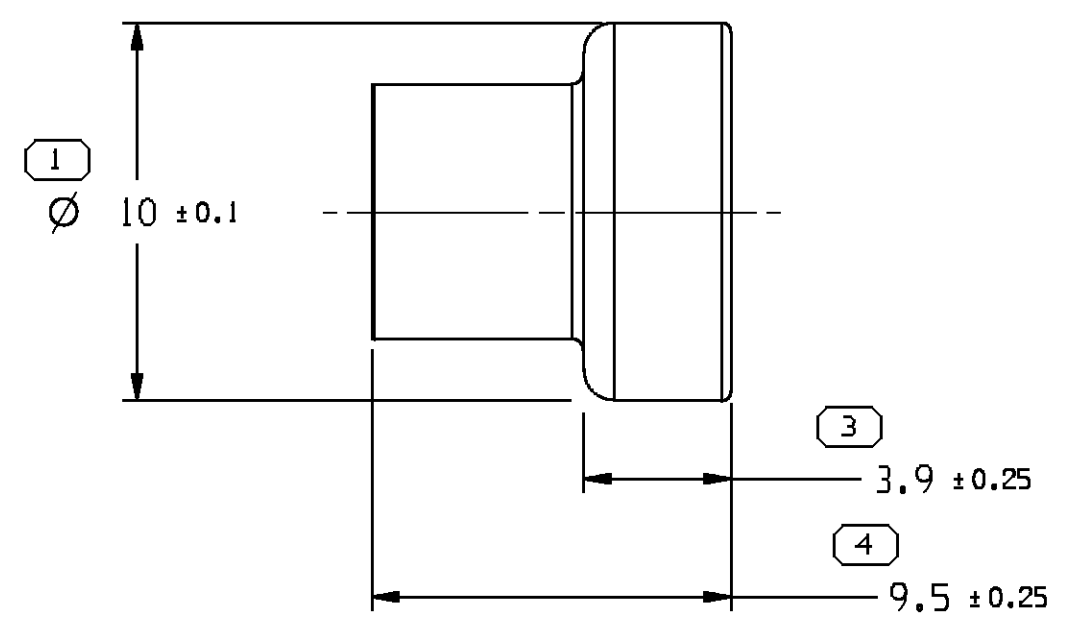
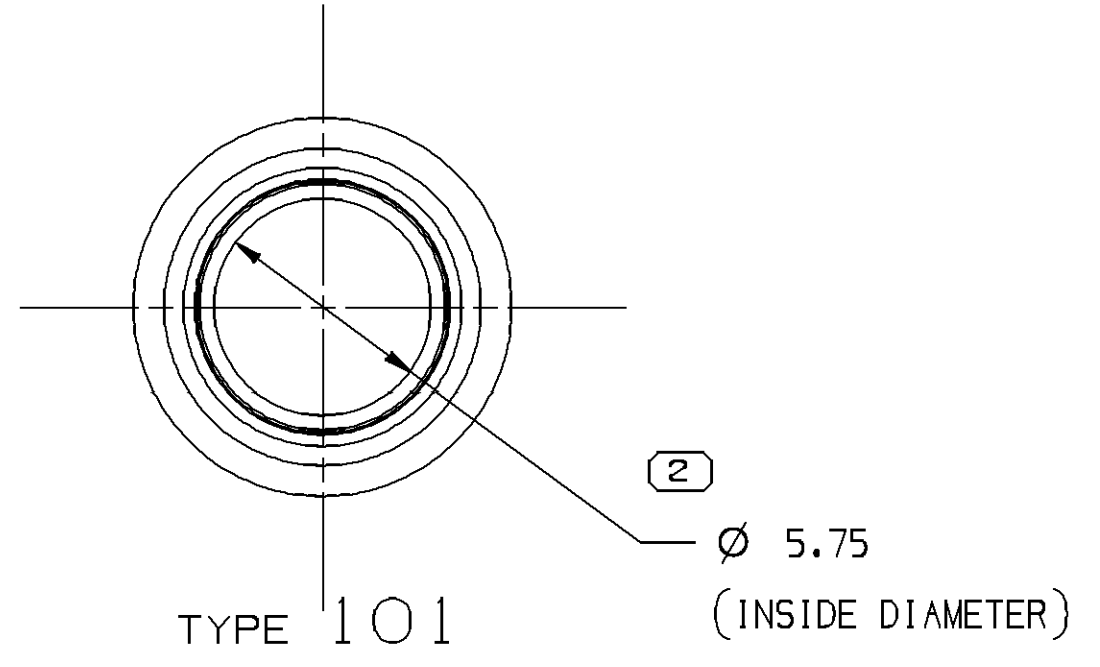
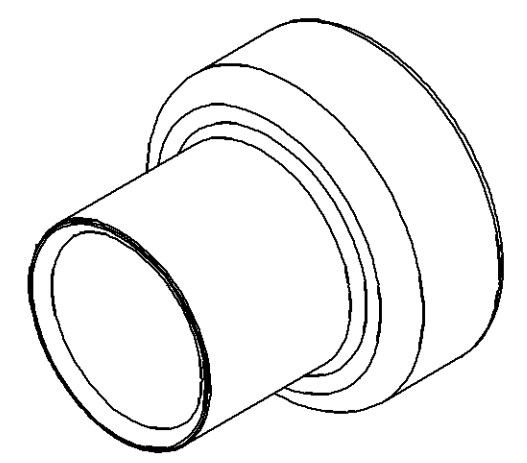
SYMBOL DEFINITION		
A DIMENSION WITHOUT AN INSPECTION REPORT SYMBOL  DOES NOT REQUIRE INSPECTION. IT MAY BE CONTROLLED ON THE INDIVIDUAL COMPONENT DRAWING.	TOTAL NO OF INSPECTIONS REQUIRED	5
	LAST NO. USED	6

MISSING SYMBOLS	
	5

DWG STATUS					ZONE	REVISION HISTORY			AUTH	DR	APVD 1	APVD 2
DATE	STG	REV	N/P	CHG								
16MR09	R	02	-	-	-	13737702 WAS PE181834. REVISED & RELEASED AT REVISION 02			406569	LLJ	LLJ	RL
24SE09	R	03	-	-	-	13737702 - UPDATED PDM ATTRIBUTES			408996	SGM	SGM	WTM
30MR10	R	04	-	-	-	13737702 - ADDED SAE NOTE			410346	HRS	HRS	WTM
08JN10	R	05	-	-	-	13737702 - UPDATED PDM ATTRIBUTES			410972	AJP	JAA	JN
09NO15	R	06	-	-	-	33292551 - RELEASED			430976	AHG	AHG	BT
09FE18	R	07	-	-	-	33292551 - UPDATED PART AVAILABILITY			939000	DAV	JVM	BT



TYPE 102  
SAME AS TYPE 101  
EXCEPT AS SHOWN



- NOTES
- UNLESS OTHERWISE SPECIFIED AND/OR INDICATED:  
DIMENSIONS ARE TO FACE OF VIEW SHOWN AND AUTOMATICALLY ROUNDED BY COMPUTER FOR INSPECTION (SEE MATH MODEL FOR PRECISE DIMENSIONS). FOR ALL OTHER DIMENSIONS NOT SHOWN BUT REQUIRED FOR TOOL BUILD, SEE MATH MODEL FOR PRECISE TOOL PATH DATA.
  - THIS COMPONENT IS USED IN CONJUNCTION WITH COMPONENTS SHOWN ON TAXI 13737697.
  - PART MECHANICAL AND ENVIRONMENTAL IS DESIGN TO CONFORM TO SAE/USCAR-37 (AUG 2008): CRIMP SHIELDED CABLE RETENTION FORCE IS 175N MIN.

33292551	01	AA	102
13737702	02	AC	101
PART NO	REV	N/P	TYPE

1 PROCESS SENSITIVE DIMENSION	
DIMENSIONS ENCLOSED IN ( ) INDICATE REFERENCE DIMENSIONS AND NO TOLERANCE LIMITS ARE ESTABLISHED	
DIMENSIONAL RANGE (MM)	CHART D
FROM 0	> 12
TO 12	
TOLERANCE UNLESS OTHERWISE SPECIFIED	
±0.1	±0.2
ANGULAR TOLERANCE ±2°	

A LINE DRAWN THROUGH A PART NUMBER INDICATES THAT PHYSICAL PARTS ARE NOT AVAILABLE FOR ORDERING.

PART NUMBERS THAT DO NOT HAVE A LINE PRESENT INDICATE THAT PHYSICAL PARTS ARE AVAILABLE FOR ORDERING.

CONTACT DELPHI SALES TO ASSURE AVAILABILITY OF PARTS.

DWG TYPE: PART DRAWING

STYLE:

VOLUME (CMP):

DISTR CODE: D

UNLESS OTHERWISE SPECIFIED  
THIS DOCUMENT IS IN ACCORDANCE WITH ASME Y14.5M-1994 AS AMENDED BY THE GM GLOBAL DIMENSIONING AND TOLERANCING ADDENDUM-2001. SEPARATE PATTERNS OF FEATURES MAY BE ØAGED SEPARATELY REGARDLESS OF DATUM REFERENCES.

ALL DIMENSIONS ARE IN MILLIMETERS

REFERENCE:

THIRD ANGLE PROJECTION

DO NOT SCALE  
USE MATH DATA

CAD NX

**DELPHI**  
DELPHI PACKARD ELECTRICAL/ELECTRONIC ARCHITECTURE  
WARREN, OH  
COPYRIGHT 2008 DELPHI CORPORATION AND/OR ITS AFFILIATES. ALL RIGHTS RESERVED.  
REVISED 2018

THIS DRAWING IS THE PROPERTY OF DELPHI CORPORATION AND CONTAINS DELPHI CONFIDENTIAL INFORMATION. THE REPRODUCTION, DISTRIBUTION AND UTILIZATION OF THIS DOCUMENT OR ITS RELATED CAD MATH DATA, AS WELL AS COMMUNICATION OF ANY CONTENT TO OTHERS, WITHOUT EXPRESS AUTHORIZATION, IS PROHIBITED.

DR	DATE
APVD1 L. JONES	230C08
APVD2 L. JONES	230C08
APVD3 JOE GLADD	310C08
APVD4	
APVD5	

SUBSTANCES OF CONCERN AND RECYCLED CONTENT PER DELPHI 10949001

MATERIAL PLATED BRONZE

DRAWING NAME: TAXI TERM M FERRULE COAX SN

DRAWING NUMBER: 13737701

SIZE	SCALE	FRAME NO	SHEET NO	STG	REV	N/P
A2	5:1	1 OF 1	1 OF 1	R	07	-