

SHIELDPACK™

HV AK CLASS 4 SI AK



ShieldPack™
HV AK CLASS 4 SI

BENEFITS

- Standard AK interface
- High robustness against vibrations
- Higher operating temperatures

FEATURES

- Header compatible with both straight & right angle female connector
- Connector and header design according to AK interface specification and LV215 latest revision
- Individual shielded cables
- Fully compatible with other AK supplier sources



AVAILABLE CONFIGURATIONS

Connector Type	Wire-to-device
Cable Exit Orientation	90°, 180°
Cable Range (mm ²)	25 - 50 (power) 0.5 (HVIL)
Terminal Type	8 mm round contact system
# of Power Terminals	2
Shielding	Individual
HVIL	Shunt on female
Assembly Assurance	CPA/TPA
Number of Indexes	4



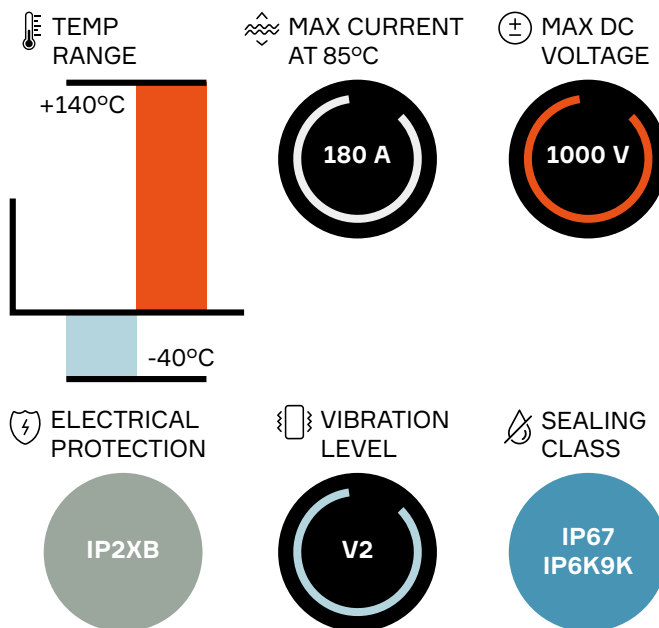
APPLICATIONS

AC / DC inverter, HV battery, HV PDU, E-motor,
Power electric box

See back page for representative part numbers and packaging dimensions.



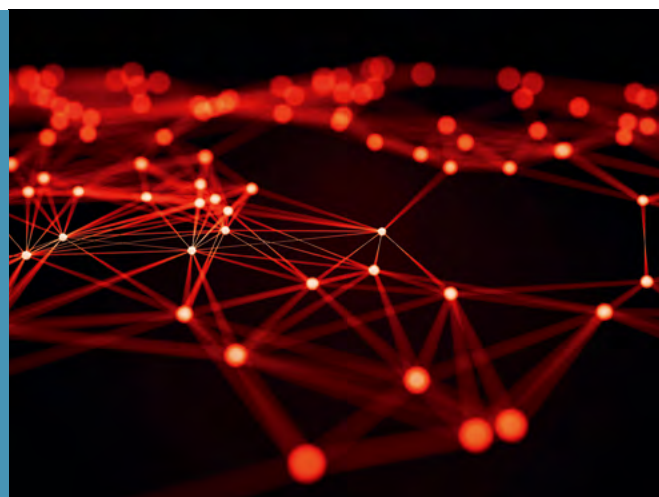
TECHNICAL CHARACTERISTICS



About Aptiv

Aptiv is a global technology company that develops safer, greener and more connected solutions enabling the future of mobility.

Visit [aptiv.com](https://www.aptiv.com) →



Code	Header UL HB	Header UL VO	2 way mating outer housing	BOM
A	35166503	33351454	33355781	1
B	35166504	33351455	33355782	
C	35166505	-	33355783	
D	35166506	-	33355784	

ASSOCIATED PARTS

Description	Cable size			BOM*
	25 mm ²	35 mm ²	50 mm ²	
Outer insulation	35172730			2
Active female terminal	35172744			2
Crimp female terminal	35172741	35172742		2
Inner ferrule	35172724	35172725	35172726	2
Outer ferrule - Ni plated	35172727	35172728	35172729	2
Cable strain relief	35172735	35172736	35172737	2
Cable seal	35172732	35172733	35172734	2
HVIL 1.2 male terminal MCON* 0.75 mm ²	5-1418760-3			2

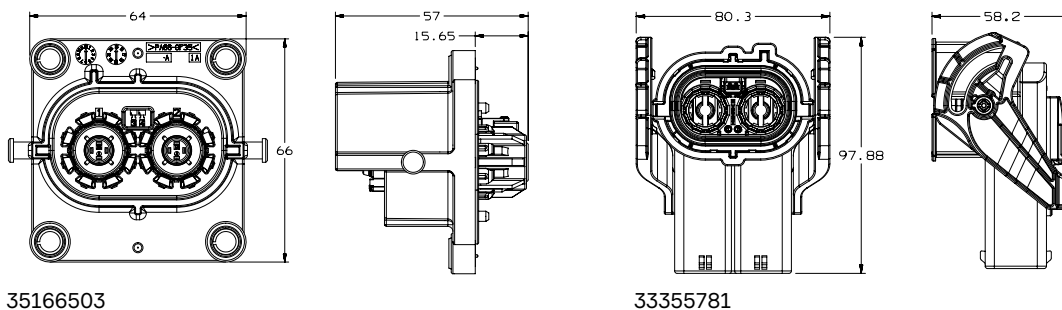
* Reference refers to external supplier.

Component Kits**

Part number	Code	Part number	Code	Part number	Code
Assembly for 25 mm² cable		Assembly for 35 mm² cable		Assembly for 50 mm² cable	
35039798	A	35039802	A	35039808	A
35039799	B	35039804	B	35039809	B
35039800	C	35039805	C	35039810	C
35039801	D	35039806	D	35039811	D

** Available configurations with associated BOM (Bill Of Materials).

DIMENSION MEASUREMENT SAMPLE



Part numbers, specifications, dimensions and performance data in this document are for general references only and are subject to change without notice. To verify product information, please contact an Aptiv representative.

CS-SP70-HP-En1220