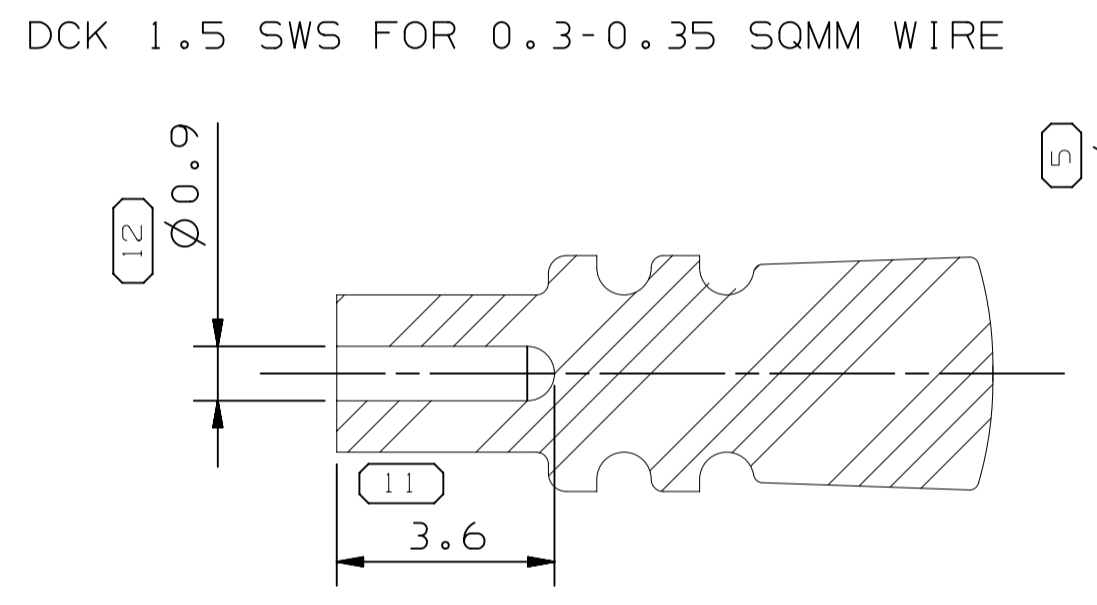
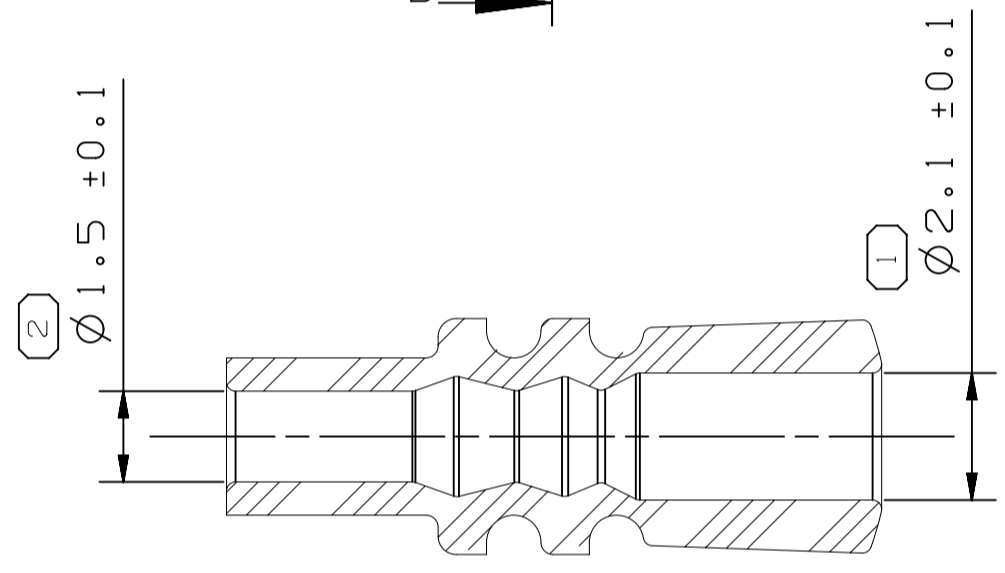
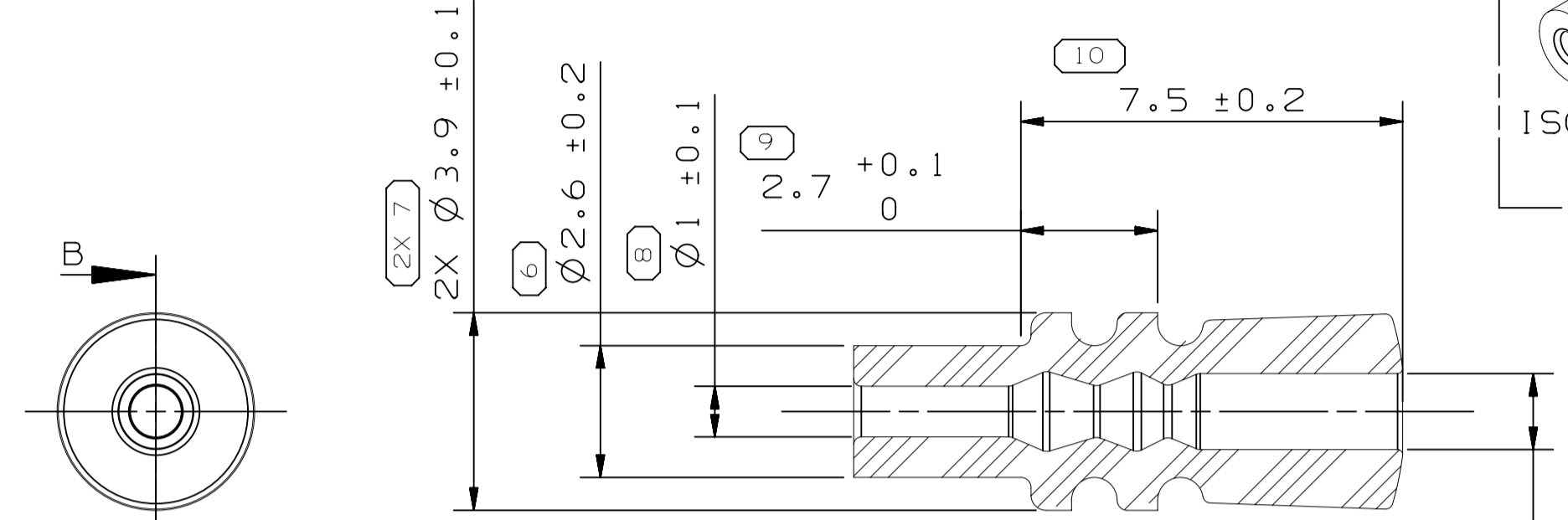
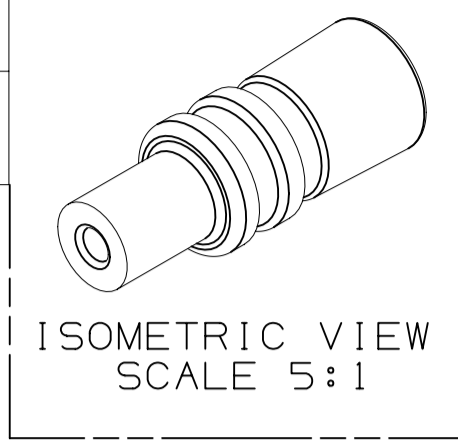


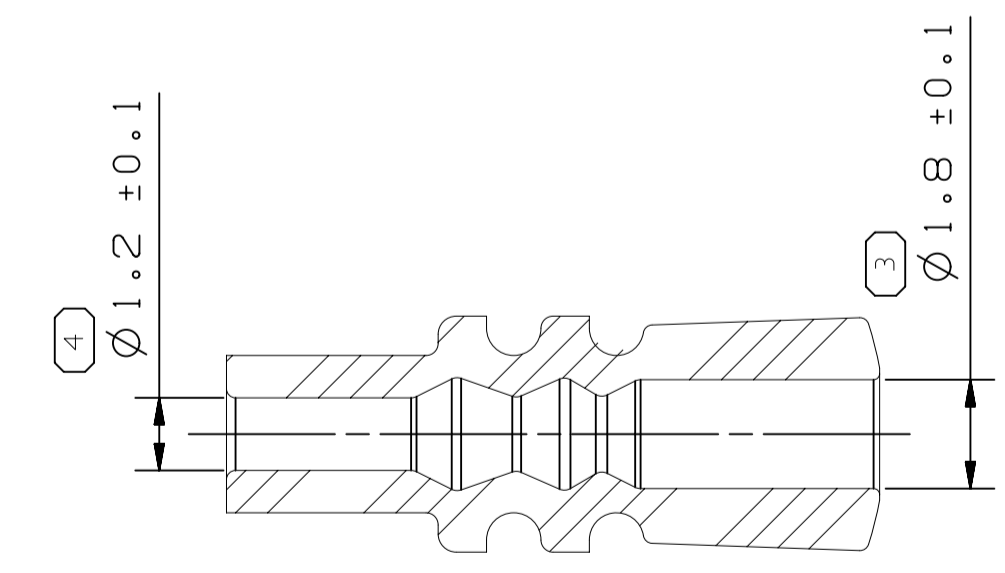
SYMBOL DEFINITION	
A DIMENSION WITHOUT AN INSPECTION REPORT SYMBOL DOES NOT REQUIRE INSPECTION. IT MAY BE CONTROLLED ON THE INDIVIDUAL COMPONENT DRAWING.	TOTAL NO OF INSPECTIONS REQUIRED
	13
	LAST NO. USED
	12

MISSING SYMBOLS		DWG STATUS					ZONE	REVISION HISTORY				AUTH	DR	APVD 1	APVD 2
NO MISSING SYMBOL NUMBER		DATE	STG	REV	N/P	CHG		ADD NEW PART NUMBER							
		13NO15	R	01	-	-	-	ADD NEW PART NUMBER				-	PSY	YJH	PJH
		16MY16	R	01	AA			ADD FLUORO SILICONE TYPE					KBK	JJY	PJH
		270C16	R	01	AB		C4	ADD PART NUMBER OF DUMMY SEAL (DARK GRAY)				446068	SYK	JJY	PJH



DCK 1.5 SWS FOR 1-1.5 SQMM WIRE

DCK 1.5 DUMMY SEAL / BLIND PLUG



DCK 1.5 SWS FOR 0.5-0.85 SQMM WIRE

- NOTES:
- SEALING AREA SURFACE MUST BE FREE OF CUTS, BLOW HOLES, FURROWS AND INSERT MARKS.
  - UNSPECIFIED RADIUS R0.3
  - COLOR : SEE TABLE
  - GENERAL TOLERANCE IS ±0.1, 2°
  - NO OVER THICKNESS AT THE INJECTION POINT

PART NO	REV	PART NO	REV	CABLE SECTION TYPE (SQMM)	INSULATION Ø OF THE CABLE	COLOR	MATERIAL
-	-	33268526	01	0.3-0.35	1.2-1.5	BLUE	FLUORO SILICONE
-	-	33302442	01	1-1.5	2.0-2.4	LIGHT YELLOW	SILICONE RUBBER
F599700	A	33513681	01	1-1.5	2.0-2.4	YELLOW	SILICONE RUBBER
F410400	A	33511838	01	0.5-0.85	1.6-1.9	GRAY	SILICONE RUBBER
F310400	A	33513680	01	0.3-0.35	1.2-1.5	RED	SILICONE RUBBER
-	-	33402443	01	-	-	WHITE	SILICONE RUBBER
-	-	35020635	01	-	-	DARK GRAY	SILICONE RUBBER
MVL		DELPHI					

DIMENSIONAL RANGE (MM)		TOLERANCE UNLESS OTHERWISE SPECIFIED		ANGULAR TOLERANCE ±2°	
FROM	> 0	±0.15	±0.2	±0.3	±0.4
TO	20	±0.2	±0.3	±0.4	±0.5
	> 20	±0.3	±0.4	±0.5	±0.6
	> 30	±0.4	±0.5	±0.6	±0.8
	> 70	±0.5	±0.6	±0.8	±1.0
	> 100	±0.6	±0.8	±1.0	±1.2
	> 150	±0.8	±1.0	±1.2	±1.5
	> 200	±1.0	±1.2	±1.5	±2.0
	> 250	±1.2	±1.5	±2.0	±2.5
	> 300	±1.5	±2.0	±2.5	±3.0
	> 400	±2.0	±2.5	±3.0	±4.0

A LINE DRAWN THROUGH A PART NUMBER INDICATES THAT PHYSICAL PARTS ARE NOT AVAILABLE FOR ORDERING.

PART NUMBERS THAT DO NOT HAVE A LINE PRESENT INDICATE THAT PHYSICAL PARTS ARE AVAILABLE FOR ORDERING.

CONTACT APTIV SALES TO ASSURE AVAILABILITY OF PARTS.

DWG TYPE: PART DRAWING

STYLE: [Blank]

VOLUME (CM<sup>3</sup>): [Blank]    DISTR CODE: D

UNLESS OTHERWISE SPECIFIED  
THIS DOCUMENT IS IN ACCORDANCE WITH ASME Y14.5M-1994 AS AMENDED BY THE GM GLOBAL DIMENSIONING AND TOLERANCING ADDENDUM-2001. SEPARATE PATTERNS OF FEATURES MAY BE GAGED SEPARATELY REGARDLESS OF DATUM REFERENCES.

ALL DIMENSIONS ARE IN MILLIMETERS

REFERENCE: [Blank]

THIRD ANGLE PROJECTION

DO NOT SCALE

USE MATH DATA

CAD NX

**• APTIV •**

CONNECTION SYSTEMS  
Chennai, India  
COPYRIGHT 2020 APTIV. ALL RIGHTS RESERVED.

THIS DRAWING IS THE PROPERTY OF APTIV AND CONTAINS APTIV CONFIDENTIAL INFORMATION. THE REPRODUCTION, DISTRIBUTION AND UTILIZATION OF THIS DOCUMENT OR ITS RELATED CAD MATH DATA, AS WELL AS COMMUNICATION OF ANY CONTENT TO OTHERS, WITHOUT EXPRESS AUTHORIZATION, IS PROHIBITED.

DR	DATE
APVD1 PARK, SANG-YOON	13NO15
APVD2 KIM, BEOM-KYU	13NO15
APVD3 PARK, JOO-HYUN	13NO15
APVD4	
APVD5	

SUBSTANCES OF CONCERN AND RECYCLED CONTENT PER DELPHI 10949001

MATERIAL SEE NOTE

DRAWING NAME: DCK 1.5 SINGLE WIRE SEAL

DRAWING NUMBER: 33303681

SIZE	SCALE	FRAME NO	SHEET NO	STG	REV	N/P
A2	10:1	1 OF 1	1 OF 1	R	01	AB