

## Features

- Conductive plastic
- Linear tapers
- Audio tapers available
- PC board and bushing mount
- Plastic bushing and plastic shaft
- Withstands typical industrial washing processes

- RoHS compliant\* version available

# 3360 - 6 mm Square Sealed Panel Control

### Electrical Characteristics

Standard Resistance Range  
 Linear ..... 1K ohms to 1 megohm  
 Total Resistance Tolerance  
 Linear Tapers ..... ±20 %  
 Independent Linearity ..... ±5 %  
 Absolute Minimum Resistance  
 ..... 2 % or 2 ohms max.  
 ..... (whichever is greater)  
 Effective Electrical Angle .. 240 ° nominal  
 Contact Resistance Variation  
 ..... 1 % or 3 ohms max.  
 ..... (whichever is greater)  
 Dielectric Withstanding Voltage  
 (MIL-STD-202 – Method 301)  
 Sea Level ..... 900 VAC minimum  
 70,000 Feet ..... 350 VAC minimum  
 Insulation Resistance  
 ..... 1,000 megohms minimum  
 Power Rating @ 70 °C  
 (Derate to 0 at 125 °C  
 Voltage Limited By Power Dissipation  
 or 200 VAC, Whichever is Less)  
 ..... .25 watts  
 Audio Tapers ..... 0.125 watts  
 Theoretical Resolution  
 ..... Essentially infinite

### Environmental Characteristics

Operating Temperature Range  
 ..... +1 °C to +125 °C  
 Storage Temperature Range  
 ..... -55 °C to +125 °C  
 Temperature Coefficient  
 Over Storage Temperature Range  
 ..... ±1,000 ppm/°C  
 Vibration ..... 30 G  
 Total Resistance Shift.... ±2 % maximum  
 Voltage Ratio Shift.... ±2 % maximum  
 Shock..... 100 G  
 Total Resistance Shift ... ±2 % maximum  
 Voltage Ratio Shift..... ±2 % maximum  
 Load Life..... 1,000 Hours  
 Total Resistance Shift  
 ..... ±10 % TRS maximum  
 Rotational Life (No Load) .. 50,000 Cycles  
 Total Resistance Shift  
 ..... ±5 % TRS maximum  
 Contact Resistance Variation  
 ..... 3 % or 3 ohms,  
 whichever is greater  
 Moisture Resistance ..... MIL-STD-202,  
 Method 103, Condition B  
 Total Resistance Shift  
 ..... ±10 % TRS maximum  
 IP Rating..... IP 67

### Physical Characteristics

Stop Strength..... 5.65 N-cm (8 oz.-in.)  
 Mechanical Angle ..... 310 ° nominal  
 Torque  
 Starting  
 ..... 3.53 N-cm (5.0 oz.-in.) maximum  
 Running  
 ..... 3.53 N-cm (5.0 oz.-in.) maximum  
 Mounting (Torque on Bushing)  
 ..... 17 N-cm (1.5 lb.-in.) maximum  
 [plastic bushing]  
 Weight ..... 4.5 grams  
 Terminals ..... Solderable pins  
 Soldering Condition  
 ..... 5 seconds at 260 °C maximum.  
 Recommended hand soldering  
 using Sn95/Ag5 no clean solder,  
 0.025 wire diameter.  
 Marking..... Manufacturer's trademark,  
 model number, product code,  
 terminal style, resistance code  
 and date code  
 Flammability ..... Conforms to UL94V-0  
 Epoxy..... Conforms to UL94V-1  
 Hardware (purchased separately)  
 Nut..... H-38-1  
 Washer ..... H-37-5  
 MSL ..... 1  
 ESD Classification (HBM)..... 2

### Standard Resistance Table

Resistance (Ohms)	Resistance Code
<b>1,000</b>	<b>102</b>
<b>2,000</b>	<b>202</b>
<b>5,000</b>	<b>502</b>
<b>10,000</b>	<b>103</b>
<b>20,000</b>	<b>203</b>
50,000	503
100,000	104
200,000	204
500,000	504
1,000,000	105

Popular distribution resistance values listed in boldface. Special resistances available.

### How To Order

**3360 Y - 1 - 103 LF**

Model \_\_\_\_\_

Terminal Style Designator \_\_\_\_\_

Single Cup: \_\_\_\_\_

C = In-line Straight  
 Terminals Side Exit  
 P = 5.08 mm x 2.54 mm  
 Triangular Pattern  
 Rear Exit  
 Y = 5.08 mm x 5.08 mm  
 Triangular Pattern  
 Rear Exit

Bushing Designator \_\_\_\_\_

1 = Standard

Resistance Code \_\_\_\_\_

Terminations \_\_\_\_\_

LF = 100 % Tin-plated (RoHS compliant)  
 Blank = 90 % Tin / 10 % Lead-plated  
 (Standard)



**WARNING Cancer and Reproductive Harm - [www.P65Warnings.ca.gov](http://www.P65Warnings.ca.gov)**

\*RoHS Directive 2015/863, Mar 31, 2015 and Annex. Specifications are subject to change without notice.

Users should verify actual device performance in their specific applications.

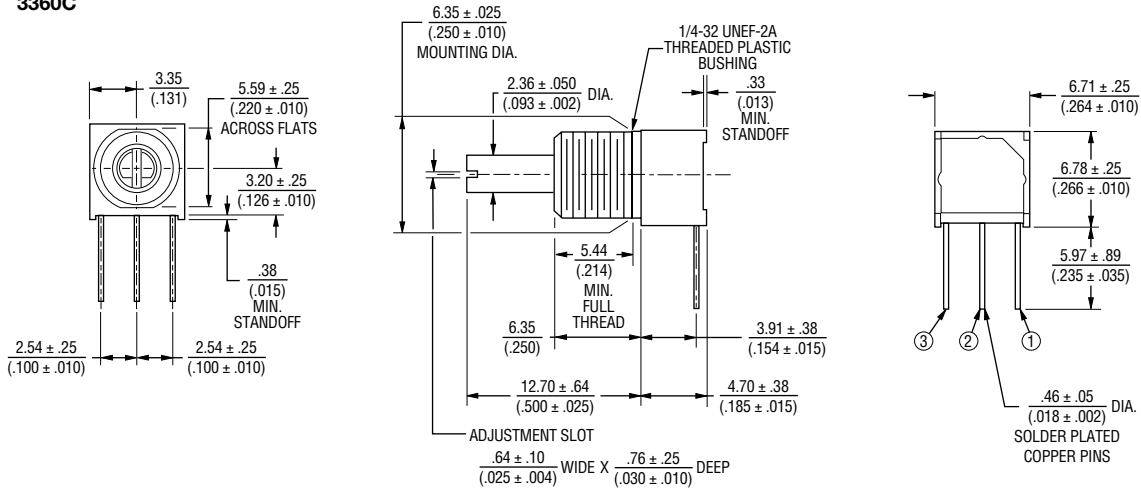
The products described herein and this document are subject to specific legal disclaimers as set forth on the last page of this document, and at [www.bourns.com/docs/legal/disclaimer.pdf](http://www.bourns.com/docs/legal/disclaimer.pdf).

# 3360 - 6 mm Square Sealed Panel Control

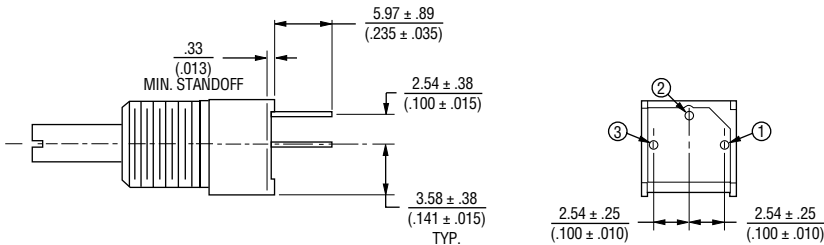
**BOURNS®**

## Product Dimensions

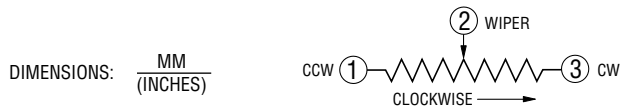
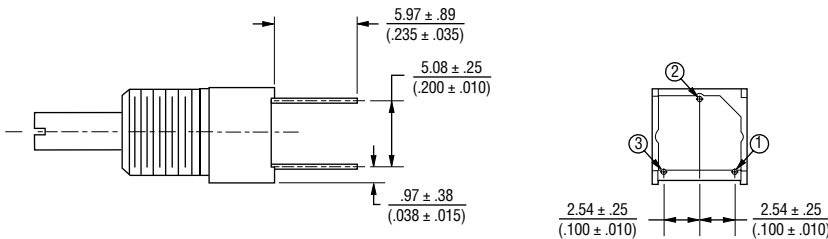
### COMMON DIMENSIONS 3360C



### 3360P



### 3360Y



REV. 10/19

Specifications are subject to change without notice.  
Users should verify actual device performance in their specific applications.  
The products described herein and this document are subject to specific legal disclaimers as set forth on the last page of this document, and at [www.bourns.com/docs/legal/disclaimer.pdf](http://www.bourns.com/docs/legal/disclaimer.pdf).