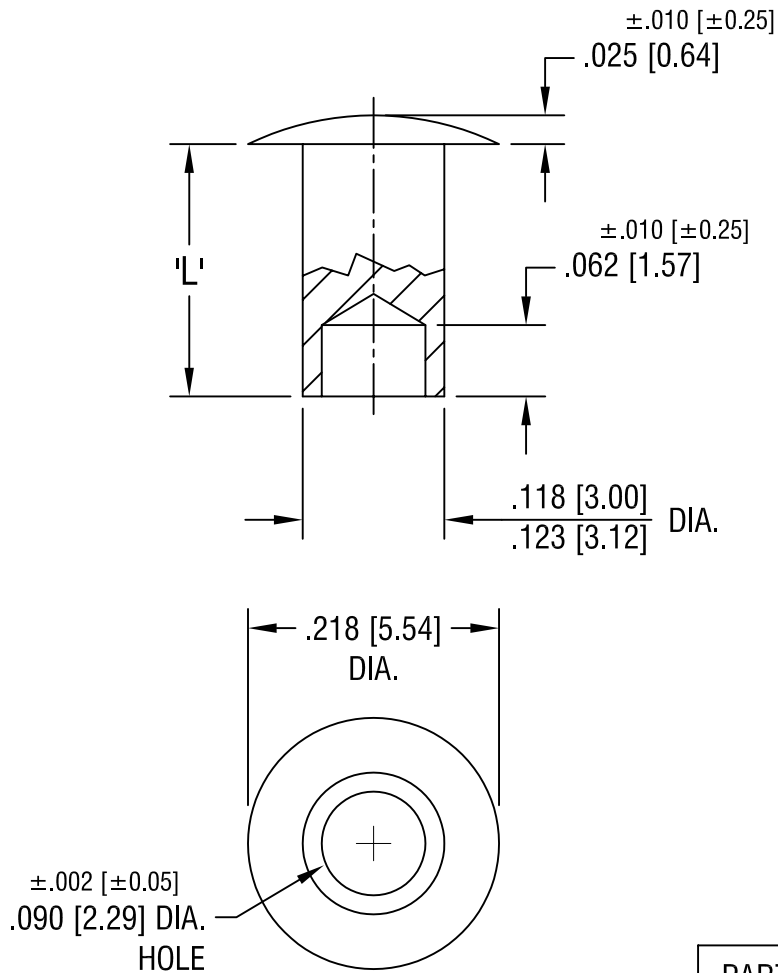


THIS DOCUMENT IS THE PROPERTY OF  
KEYSTONE ELECTRONICS CORP. AND  
SHALL NOT BE REPRODUCED, DISTRIBUTED  
OR USED AS A BASIS FOR MANUFACTURE  
WITHOUT PRIOR WRITTEN PERMISSION  
FROM KEYSTONE ELECTRONICS CORP.



| PART NO. | 'L' DIM.    |
|----------|-------------|
| 3388     | .156 [3.96] |
| 3389     | .187 [4.75] |
| 3390     | .218 [5.54] |
| 3391     | .250 [6.35] |

|         |                          |      |
|---------|--------------------------|------|
| 2.26.08 | CHANGE AS PER ECN 08-090 | A    |
| DATE    | DESCRIPTION              | REV. |

|                                   |                           |        |                  |
|-----------------------------------|---------------------------|--------|------------------|
| <b>KEYSTONE ELECTRONICS CORP.</b> |                           |        |                  |
| ASTORIA, N.Y. 11105-2017          |                           |        |                  |
| PART NAME                         |                           |        |                  |
| RIVET, SEMI-TUBULAR               |                           |        |                  |
| MATERIAL                          |                           |        |                  |
| BRASS                             |                           |        |                  |
| FINISH                            |                           | DRN BY | DATE             |
| DUCTILE<br>NICKEL PLATE           |                           | BOONE  | 8.26.82          |
|                                   |                           | APP'D  | SCALE            |
|                                   |                           | LN     | 6X               |
| TOLERANCES                        | INCH [MM]                 | CODE   | DWG NO.          |
| DECIMAL                           | $\pm .005$ [ $\pm 0.15$ ] | C/M    | <b>3388-3391</b> |
| ANGULAR                           | $\pm 1^\circ$             |        |                  |
| UNLESS OTHERWISE SPECIFIED        |                           |        |                  |