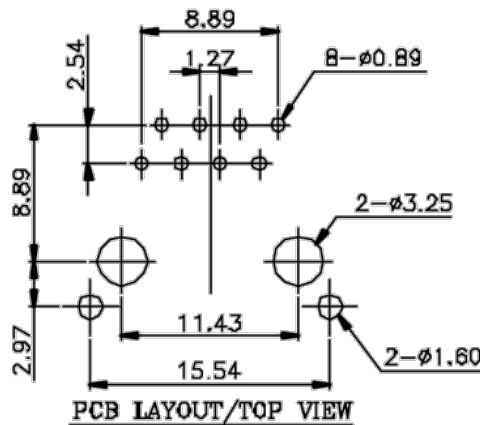
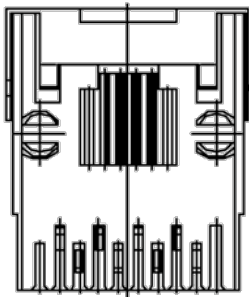
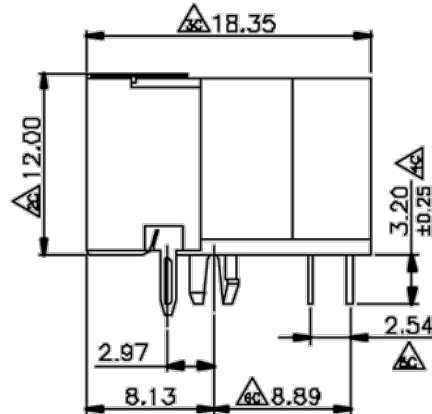
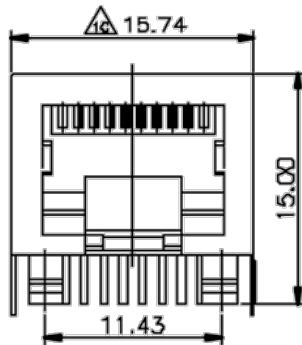


Very Low Profile PCB Jack(Side Entry)

Materials

Housing: PBT+30% glass-fiber UL94V-0 Black
 Contacts: 0.35mm thickness alloy, gold plating over nickel in contact area
 Tin Plating over nickel in solder area

Directive 2002/95/EC
 „RoHS“
 Compliant



Order Information

33TS3004 HS - 88 B

1 2 3 4

1. Series No.
33TS3004

2. Contact Type
HS:Half shielded

3. No. of Contacts
88:8P8C

4. Gold Plating
B: 6µ"
For other plating options
contact factory

Note:
Packed in tray