

HUBER+SUHNER® DATA SHEET

Within Series Adapter: 33_BNC-50-0-1/133_N



Description

Adaptor plug/jack
BNC plug (male) / BNC jack (female)

Interface standards
IEC 60169-8_MIL-STD-348A/301_CECC 22120

Technical Data

Electrical Data

Impedance 50 Ω
Interface frequency max. 4 GHz

Mechanical Data

Number of matings 500
Weight 0.0183 kg

Environmental Data

Operating Temperature -65 °C to 165 °C
2002/95/EC (RoHS) compliant

Material Data

Piece Parts (BNC)

Centre contact	Copper Beryllium Alloy
Outer contact	Brass
Body	Brass
Insulator	PFA / PTFE
Coupling nut	Brass
Gasket	MVQ (Silicone Rubber)

Piece Parts (BNC)

Centre contact	Copper Beryllium Alloy
Outer contact	Brass
Body	Brass
Insulator	PFA / PTFE

Surface Plating

Gold Plating (Nickel underplated)
SUCOPLATE (R) Plating
SUCOPLATE (R) Plating

SUCOPLATE (R) Plating

Surface Plating

Gold Plating (Nickel underplated)
SUCOPLATE (R) Plating
SUCOPLATE (R) Plating

Related Documents

Outline drawing DOU-00013707

Ordering Information

Single package 33_BNC-50-0-1/133_NE

HUBER+SUHNER is certified according to ISO 9001 and ISO 14001

WAIVER!

It is exclusively in written agreements that we provide our customers with warrants and representations as to the technical contained specifications and/or the fitness for any particular purpose. The facts and figures herein are carefully compiled to the best of our knowledge, but they are intended for general informational purposes only.

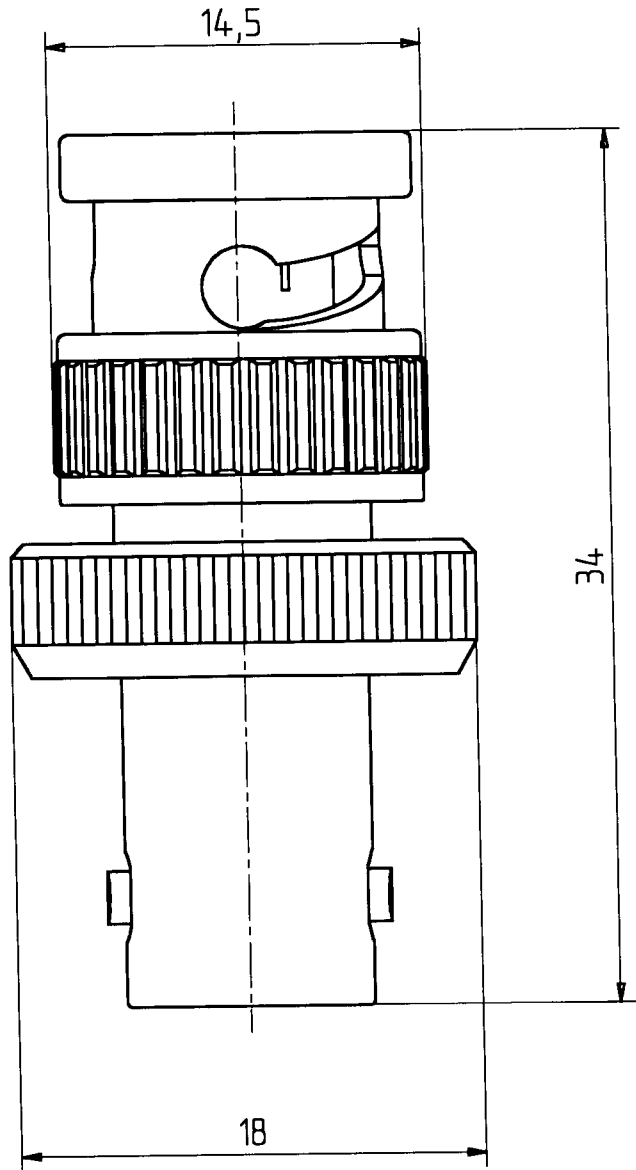
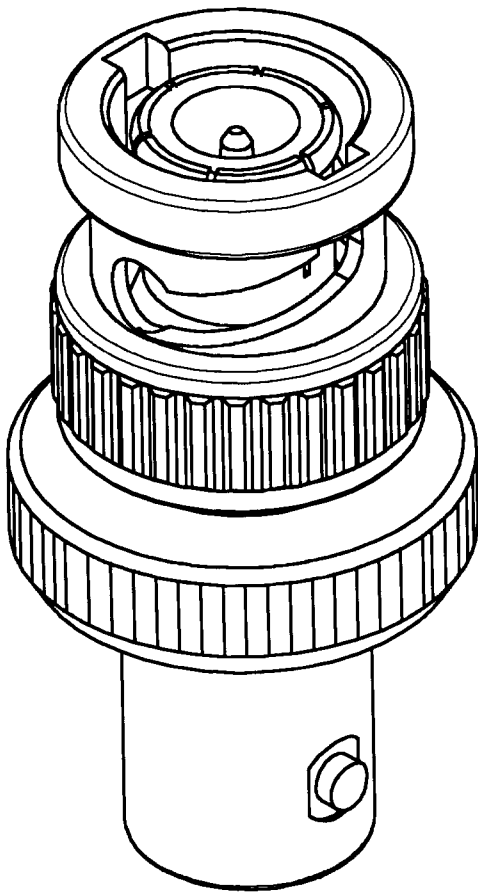


HUBER+SUHNER AG
RF Technology
9100 Herisau, Switzerland
Phone +41 (0)71 353 41 11
Fax +41 (0)71 353 45 90
www.hubersuhner.com

HUBER+SUHNER – Excellence in Connectivity Solutions

33 BNC 50 - 0 - 1

	Datum	Kurzz./Visum
Erstellt	7.7.92	552 GDS <i>[Signature]</i>
Geprueft	7.7.92	324 MDC <i>[Signature]</i>
Freigabe	7.7.92	324 <i>[Signature]</i>



H+S 701 448.05

3,5 : 1



HUBER + SUHNER AG
9100 Herisau

4.13.20961

a