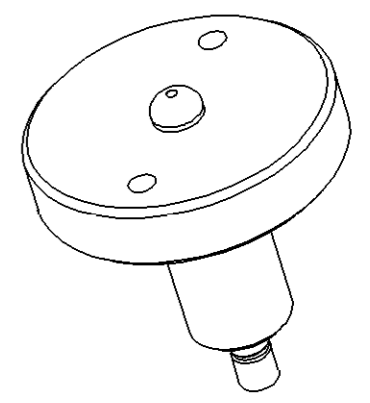
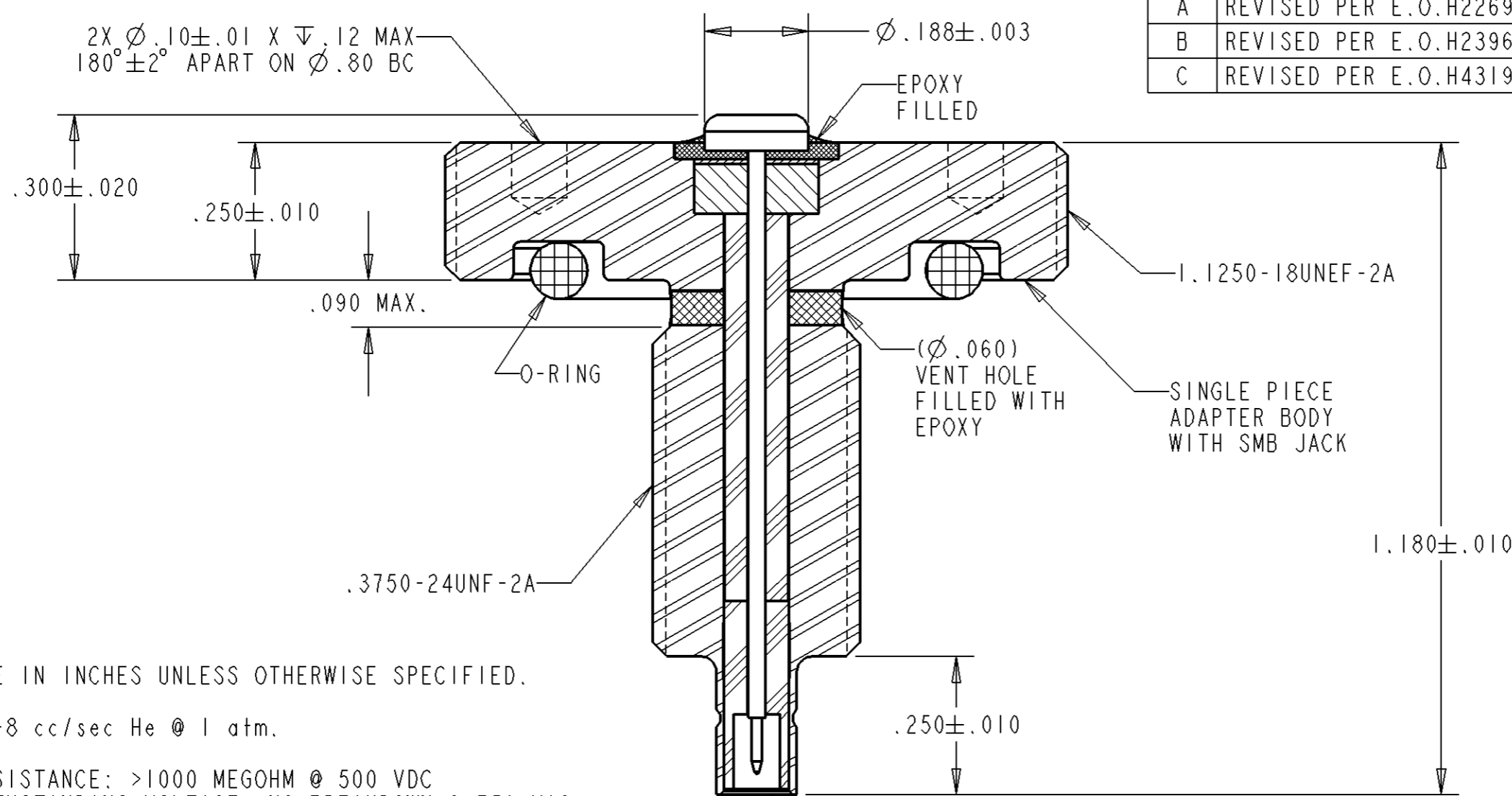


C 34143

REVISIONS			
REV	DESCRIPTIONS	DATE	APPROVED
A	REVISED PER E.O.H2269	6/5/98	L.S.
B	REVISED PER E.O.H2396	9/4/98	L.S.
C	REVISED PER E.O.H4319	1/26/07	M.A.




- DIMENSIONS ARE IN INCHES UNLESS OTHERWISE SPECIFIED.
- LEAK RATE:  $1E-8$  cc/sec He @ 1 atm.
- INSULATION RESISTANCE: >1000 MEGOHM @ 500 VDC  
DIELECTRIC WITHSTANDING VOLTAGE: NO BREAKDOWN @ 750 VAC
- MATERIAL:  
ADAPTER BODY - 304L STAINLESS STEEL  
INSULATOR - GLASS BEAD & TEFLON INSERT  
CONTACT - 52 HIGH NICKEL-IRON ALLOY  
O-RING - FLUOROCARBON ELASTOMER
- FINISH:  
ADAPTER BODY - ELECTRO-POLISH  
CONTACT - GOLD OVER NICKEL
- O-RING GROOVE IN SHELL:  $\varnothing .879 \pm .005$  O.D.  
 $\varnothing .553 \pm .015$  I.D.  
.070±.003 DEEP
- ALL DIAMETERS SHALL BE CONCENTRIC WITHIN .005 T.I.R.

NOTE(S):

FILE: 34143-ENV

	SIGNATURE & DATE
DR	S.LUI 2/3/98
CHK	L.STOLLE 2/3/98
PE	J.AGUILERA 2/3/98
APPD	J.AGUILERA 2/3/98
SCALE:	

ADAPTER  
HERMETIC  
50 OHM FEEDTHRU  
ENVELOPE

CP	MATL CODE 78
<b>DEUTSCH</b> ENGINEERED INTERCONNECT SOLUTIONS  250 Eddie Jones Way Oceanside, CA 92054	
<b>B</b>	34143
DWG SIZE	CAGE CODE 11139
	SHEET 1 OF 1

SECTION A-A