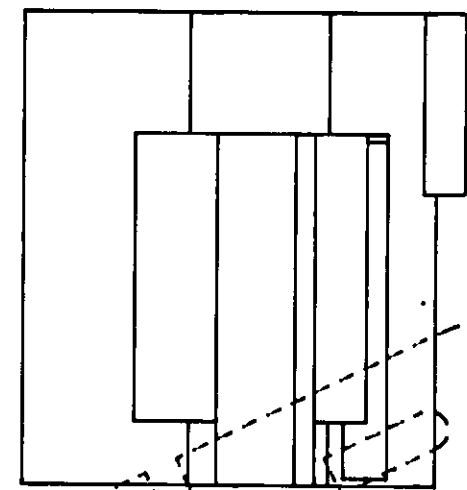
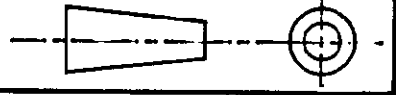


C.A.D. FILE CODE
S. C344040.C

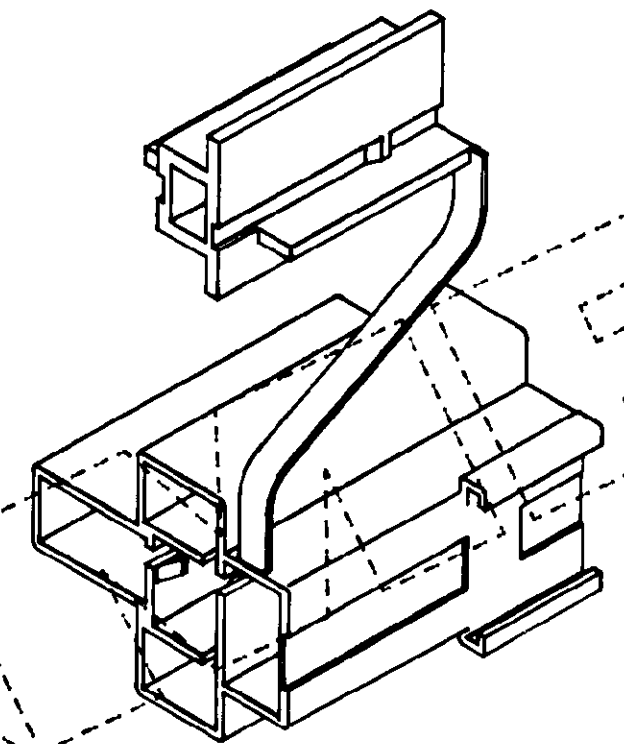
DO NOT SCALE

DIMENSIONS IN MM.



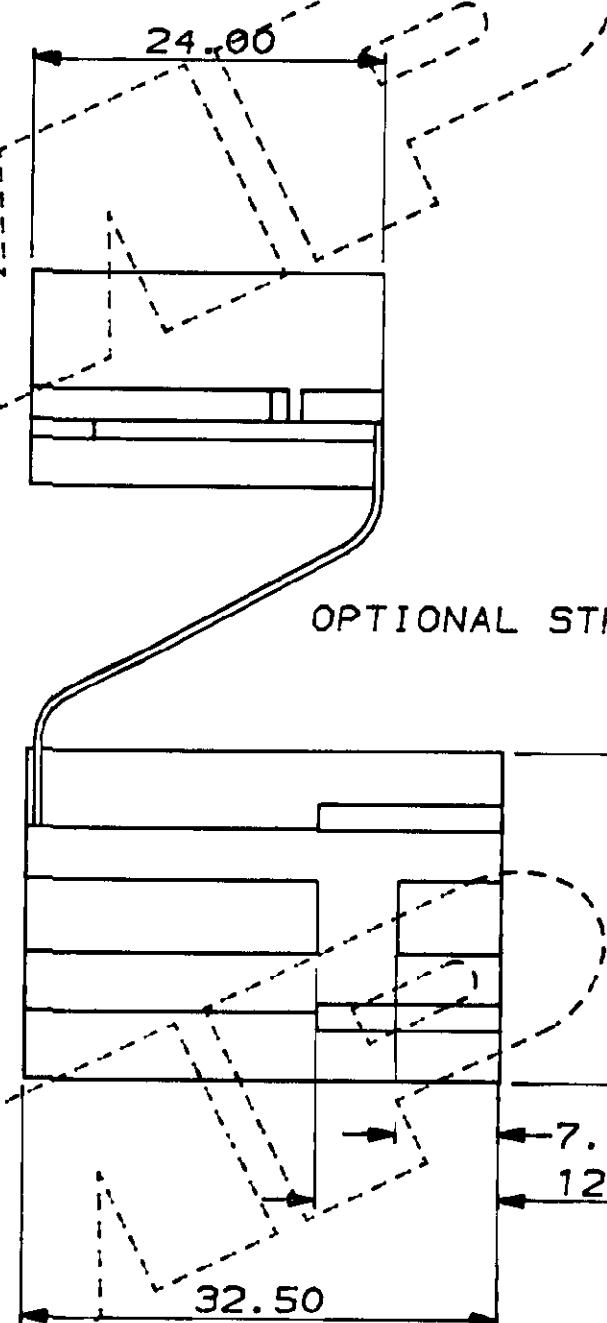
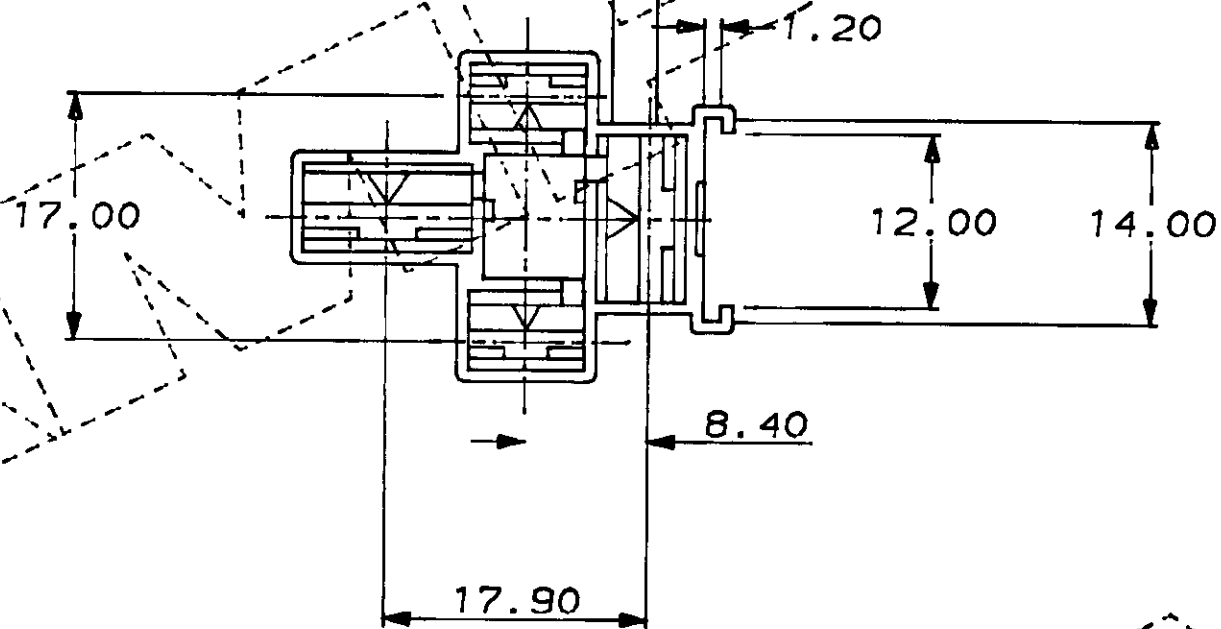
TERMINAL FOR 3.5mm² WIRE 345153-2

TERMINAL FOR 0.5mm² WIRE 60295-2



△ OBSOLETE PARTS: OBSOLETE CIS STREAMLINING PER D.RENAUD/D.SINISI

OPTIONAL STRAP FORM



OBSOLETE △	NATURAL	NYLON 6.6	344040-3
	YELLOW	NYLON 6.6	344040-2
	BLACK	NYLON 6.6	344040-1
	FINISH	MATERIAL	PART NUMBER

CUSTOMER DWG FOR REFERENCE ONLY				THIS INFORMATION IS CONFIDENTIAL AND IS DISCLOSED TO YOU ON CONDITION THAT NO FURTHER DISCLOSURE IS MADE BY YOU TO OTHER THAN AMP PERSONNEL WITHOUT WRITTEN AUTHORIZATION FROM AMP OF GREAT BRITAIN LTD.			
-	-	-	-	TOLERANCES UNLESS OTHERWISE STATED	DR. L. OWEN		06/01/87
C1	KK	AEG	ECO-09-026346	26NOV09	CH. I. JOHNSON.	APP. L. OWEN.	
C	P. GAULTON	E800-0022-96	11-1-96	DEC ± 0.5 ANGLES ± 1°	 TERMINAL HOUSE STANNORE MIDDX.		
B	L. OWEN	CS387	13/10/88	NAME RELAY CONNECTOR			
A	L. OWEN	CS188	08/02/88	SCALE 2/1	LOC E	SIZE A2	DWG.No. C344040
O	L. OWEN	C4881	07/07/88	REV APPROVED	ECN	DATE	REV SHEET C1 1/1