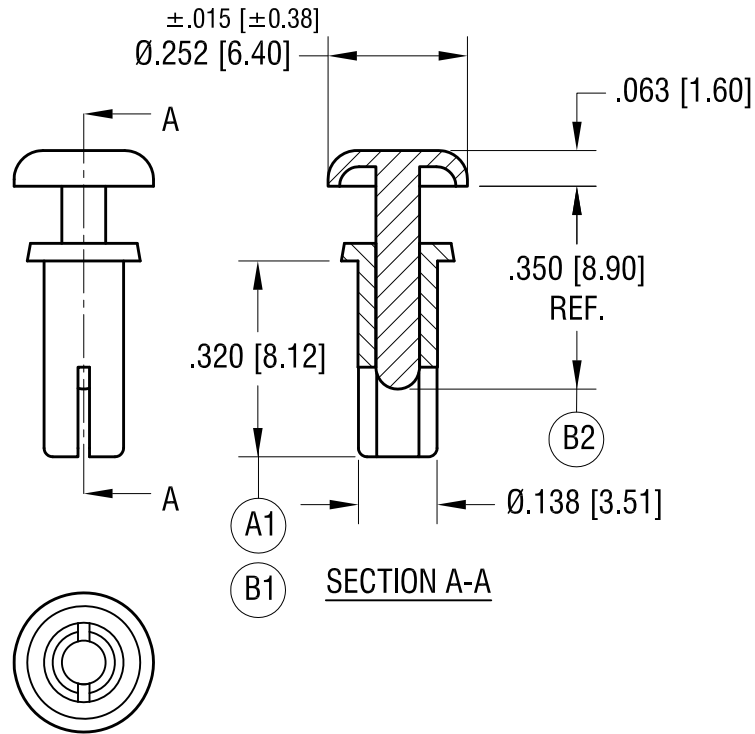


ACTUAL SIZE



NOTES:

1. RECOMMENDED MOUNTING HOLE:
.144 [3.66] DIA.
2. CHASSIS THICKNESS:
.217 [5.50] TO .256 [6.50]

1.3.01	Ⓑ WAS .340, Ⓑ WAS .350±.010 CHANGE AS PER ECN 01-000	B
7.15.21	Ⓐ WAS 340±.010 CHANGE AS PER ECN 21-069	A
DATE	DESCRIPTION	REV.

KEYSTONE ELECTRONICS CORP.			
www.keyelco.com • NEW HYDE PARK, NY 11040 • Tel (516) 328-7500			
PART NAME		SNAP RIVET	
MATERIAL		NYLON 94V-2 (BLACK COLOR)	
FINISH		DRN BY	DATE
NONE		BOONE	9.29.06
		APP'D	SCALE
		RH	3X
TOLERANCES	INCH [MM]	CODE	DWG NO.
DECIMAL	± .010 [± 0.25]	C	3446
ANGULAR	± 1°		
UNLESS OTHERWISE SPECIFIED			