

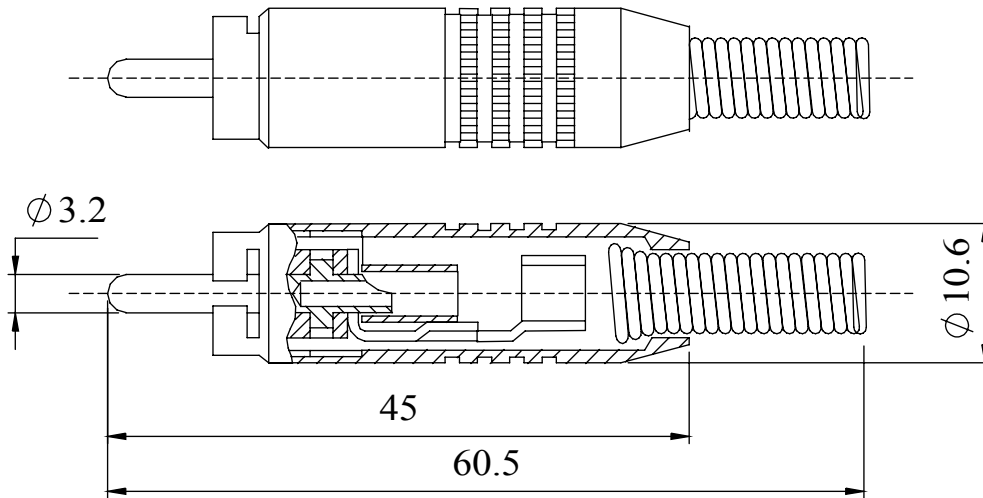
A range of high quality UK manufactured phono plug made from machined brass with various plating options. The aluminium housing is anodised in various colours for easy identification.

- Centre contact is a solid pin with a large scalloped solder bucket.
- Grounded contact with precision machined 'T' shape slot for maximum contact.
- Cable clamp for cable gripping and dual grounding.
- Attractive body styling.

Material	
Centre Contact	: Brass Flash gold plate
Grounded Contact	: Brass Flash gold plate
Insulation	: PTFE
Collet	: Brass, flash gold plate
Phono Cap	: Brass Black chrome plate

Ratings-
 Rated Current: 5A.
 Rated Voltage: 50V.
 Insulation resistance
 100m W 500 Vdc

Dimensions



Deltron Part No.	Description
346-0100	BLACK ANODISED CAP PLUG
346-0200	BLUE ANODISED CAP PLUG
346-0500	RED ANODISED CAP PLUG
346-0700	YELLOW ANODISED CAP PLUG

Tel No. +44(0)1724 273200 Website www.dem-uk.com

PROPRIETARY AND CONFIDENTIAL
 THE INFORMATION CONTAINED IN THIS DRAWING IS THE SOLE PROPERTY OF
 ALPHA 3 MANUFACTURING.
 ANY REPRODUCTION IN PART OR AS A WHOLE WITHOUT THE WRITTEN PERMISSION OF
 ALPHA 3 MANUFACTURING IS PROHIBITED.

UNLESS OTHERWISE SPECIFIED:
 DIMENSIONS ARE IN MILLIMETRES
 LINEAR TOLERANCE:
NO DECIMAL PLACES ±0.5mm
1 DECIMAL PLACE ±0.25mm
2 DECIMAL PLACES ±0.125mm
 ANGULAR TOLERANCE: ±1°



DEM Manufacturing, Deltron Emcon House
 Hargreaves Way, Sawcliffe Ind. Park,
 Scunthorpe, North Lincolnshire, DN15 8RF, UK

FINISH PROFESSIONAL PHONO PLUG

DEBURR AND BREAK SHARP EDGES

DRAWN BY SPB

APPROVED BY WC

TITLE GENERAL SPECIFICATION
 346 SERIES
 PHONO PLUG

IF IN DOUBT ASK
 DO NOT SCALE DRAWING

THIRD ANGLE PROJECTION

SHEET 1 OF 1

SCALE 1:1

DRAWING NO. 346 SERIES

ISSUE 05

MATERIAL SEE NOTE



A4

Release