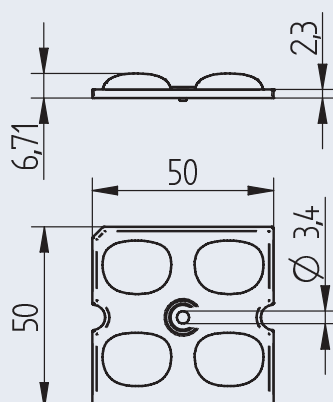
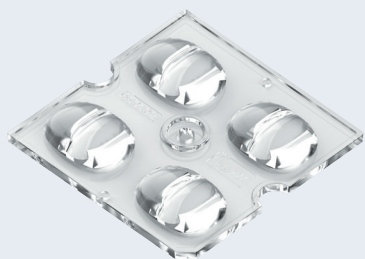


## OptiSquare 2x2 - IESNA Type 3 M Cutoff

35.104 · 2x2 · Optics for street and area lighting



part no. wt. pkg.  
**35.104.1012.85** 8.8 g 120

**OptiSquare 2x2 - IESNA Type 3 M Cutoff**  
 Optics for street and area lighting  
 for use with LED modules according to Zhaga Book 15

**Light distribution: IESNA Type 3 M Cutoff**

Material: PMMA (clear)  
 Screw fixing: for screws M3  
 Maximum torque: 0.5 Nm

Suitable for Philips Fortimo Fast Flex LED 2x6 / 740 DA HE and LED modules with 25.4 mm pitch according to Zhaga Book 15

**Typical application:**

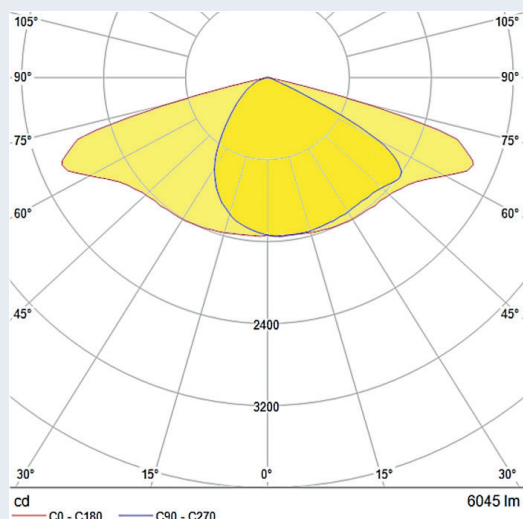
- Walkways, paths and sidewalks
- Entrance roadways
- Loading and access ramps
- General road and street lighting
- Car parks and parking area lighting
- Perimeter of parking areas
- Center of roadways and intersections

Height	6.71 mm
Width	50 mm
Length	50 mm
Type of fixing	Screw fixing: (0.5 Nm) screws M3
LED Type	Philips Fortimo Fast Flex LED 2x6 / 740 DA HE and LED modules with 25.4 mm pitch according Zhaga Book 15
Pitch distance	25.4 mm
Material	PMMA
Colour	clear
Lens surface	High gloss
Permissible application temperature	-40 °C up to + 80 °C

The presented information are for reference only. All lighting parameters are typical values.  
 The light distribution depends on the used type of LEDs, position tolerance, chip size and used colour.

-40°C  
 +80°C

CAD



Light distribution: IESNA Type 3 M Cutoff  
 measured with Philips Fortimo Fast Flex LED 2x6 / 740 DA HE

Efficiency: 97%