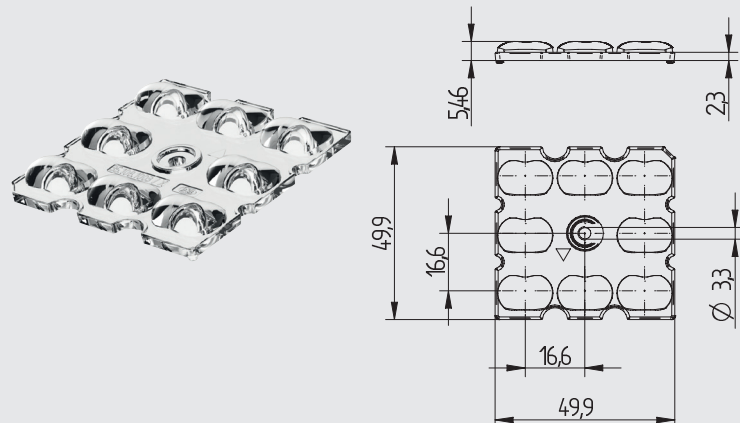




Preliminary data sheet



pkg. wt. part no.
500 8.3 g 35.108.1003.85

Optics for street and outdoor lighting according to Zhaga Book 15, 8-in-1 CSP, IESNA Typ 3

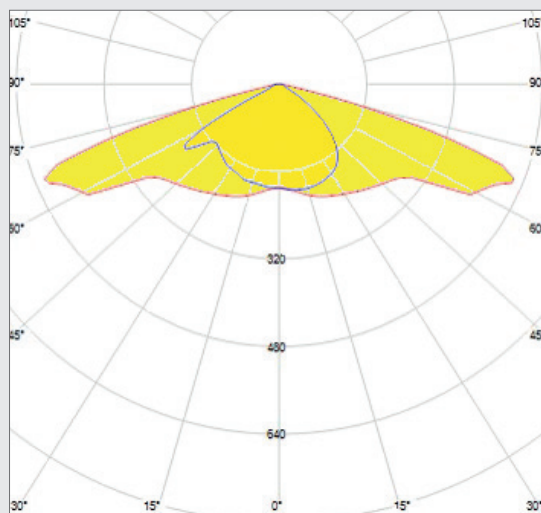
Material: PMMA (clear)
Screw fixing: Screws M3
Maximum torque: 0.5 Nm

Suitable for CSP (Chip Scale Package) LED chips and LED modules according to Zhaga Book 15

Height	5.46 mm
Width	49.9 mm
Length	49.9 mm
Type of fixing	Screw fixing: (0.5 Nm) for screws M3
Type of LED	CSP-Chips
Pitch distance	16.6 mm
Material	PMMA
Colour	clear
Lens surface	highly polished
Optical efficiency	see below
Operating temperature	max. 80 °C

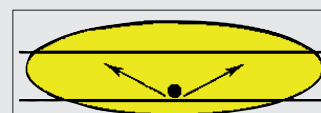
The presented information are for reference only. All lighting parameters are typical values. The light distribution depends on the used Type of LEDs, position tolerance, chip size and used colour.

T 80 CAD



Light distribution: IESNA Ty 3-medium measured with Philips Fortimo FastFlex LED 4x8up PR G5

Efficiency: 96%



schematic illustration of the light distribution