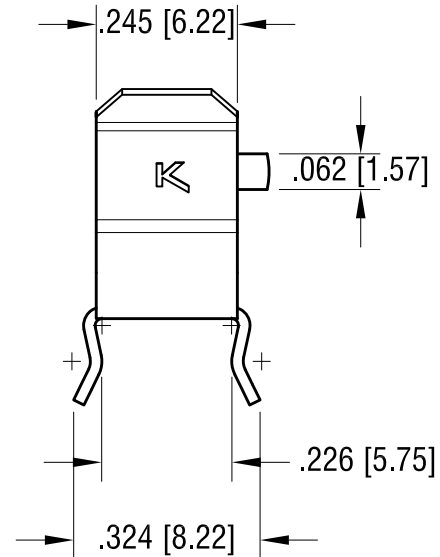
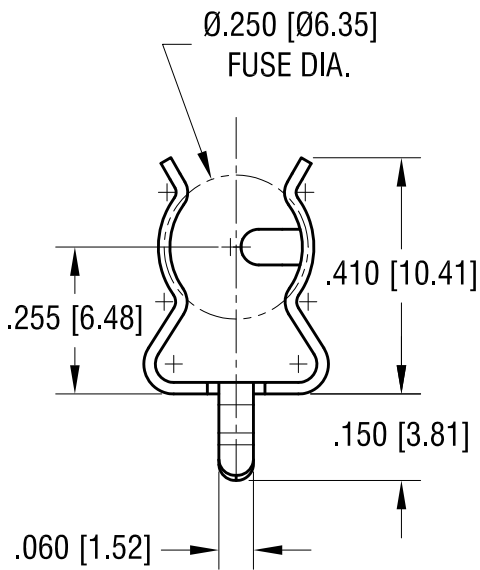
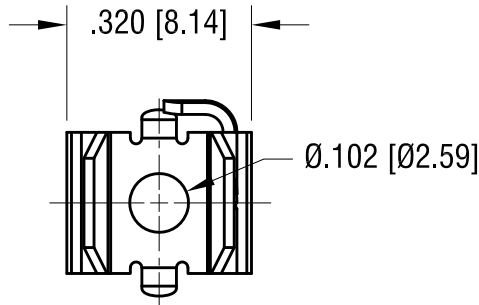
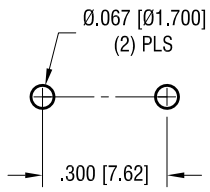


THIS DOCUMENT IS THE PROPERTY OF
KEYSTONE ELECTRONICS CORP. AND
SHALL NOT BE REPRODUCED, DISTRIBUTED
OR USED AS A BASIS FOR MANUFACTURE
WITHOUT PRIOR WRITTEN PERMISSION
FROM KEYSTONE ELECTRONICS CORP.

ACTUAL SIZE



MOUNTING PAD LAYOUT



NOTE:

1. CURRENT RATING: 20A MAX.
2. ROHS AND REACH COMPLIANT

KEYSTONE ELECTRONICS CORP.

www.keyelco.com • NEW HYDE PARK, NY 11040 • Tel (516) 328-7500

PART NAME		FUSE CLIP FOR 1/4" DIA. FUSE.	
MATERIAL		.020 [0.50] TH'K BRASS	
FINISH		DRN BY	DATE
TIN PLATE		NT	7.19.18
		APP'D	SCALE
		LN	3X
TOLERANCES	INCH [MM]	CODE	DWG NO.
DECIMAL	± .005 [± 0.13]	C	3500
ANGULAR	± 1°		
UNLESS OTHERWISE SPECIFIED			

8.28.19	CHANGE AS PER ECN 19-074	A
DATE	DESCRIPTION	REV.