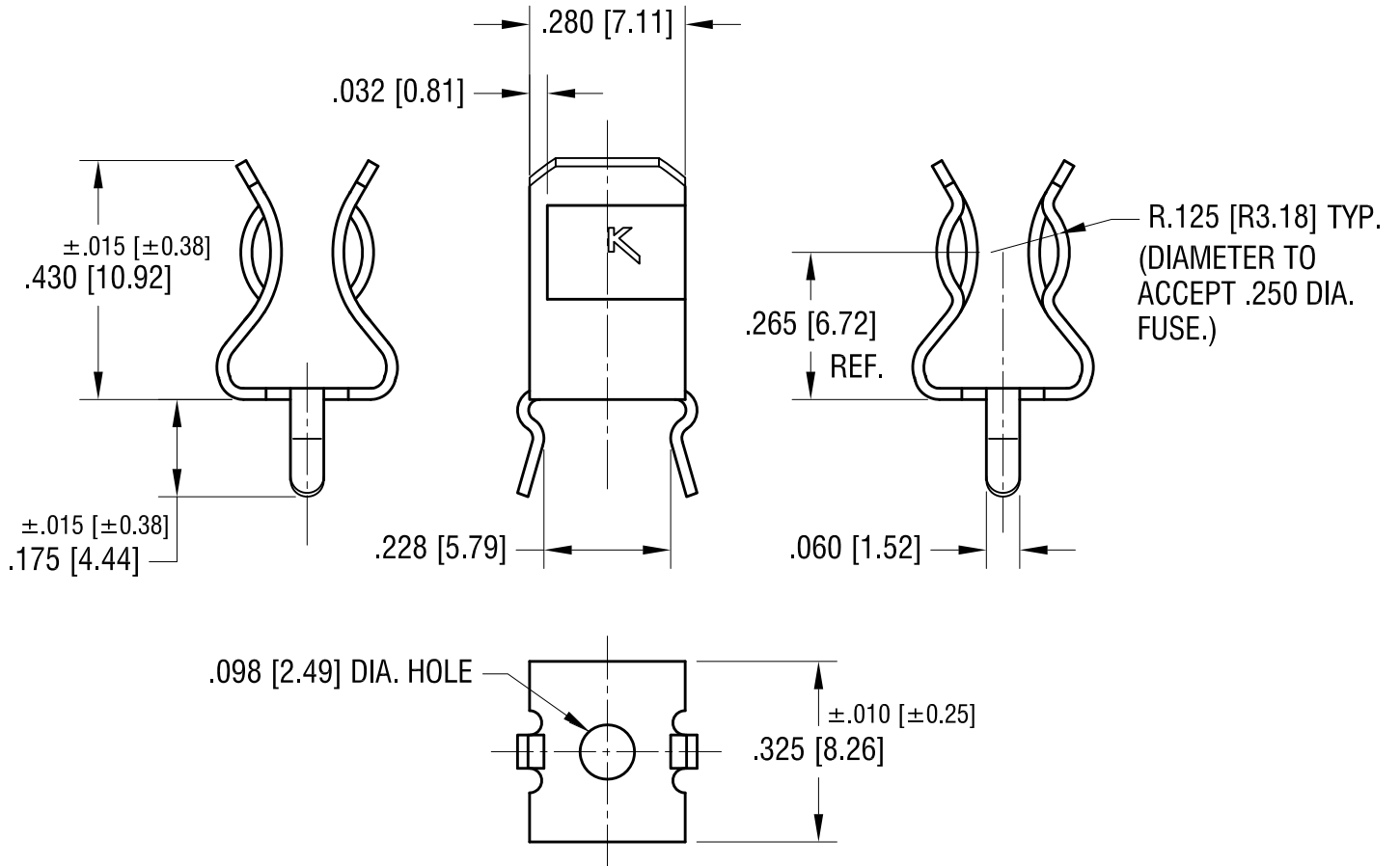
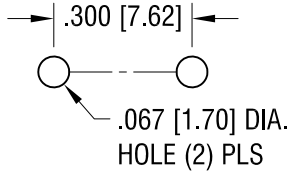


THIS DOCUMENT IS THE PROPERTY OF KEYSTONE ELECTRONICS CORP. AND SHALL NOT BE REPRODUCED, DISTRIBUTED OR USED AS A BASIS FOR MANUFACTURE WITHOUT PRIOR WRITTEN PERMISSION FROM KEYSTONE ELECTRONICS CORP.

ACTUAL SIZE



MOUNTING DETAIL



9.16.13	CHANGE AS PER ECN 13-070	F
9.17.12	CHANGE AS PER ECN 12-144	E
6.08.09	CHANGE AS PER ECN 09-054	D
9.10.98	CHANGE AS PER ECR 98-061	C
9.11.97	CHANGE AS PER ECR 97-037	B
4.30.93	REVISED	A
DATE	DESCRIPTION	REV.

KEYSTONE ELECTRONICS CORP.			
www.keyelco.com • ASTORIA, N.Y. 11105-2017 • Tel (718) 956-8900			
PART NAME		3AG SNAP-IN FUSE CLIP	
MATERIAL		.020 [0.50] TH'K BRASS	
FINISH		DRN BY	DATE
MATTE TIN PLATE		BOONE	1.15.90
		APP'D	SCALE
TOLERANCES INCH [MM] DECIMAL ± .005 [± 0.15] ANGULAR ± 1° UNLESS OTHERWISE SPECIFIED		LN	3X
		CODE	DWG NO.
		C	3513