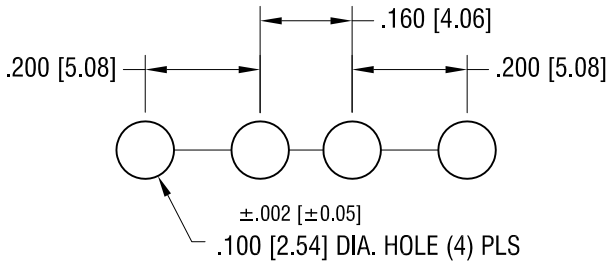
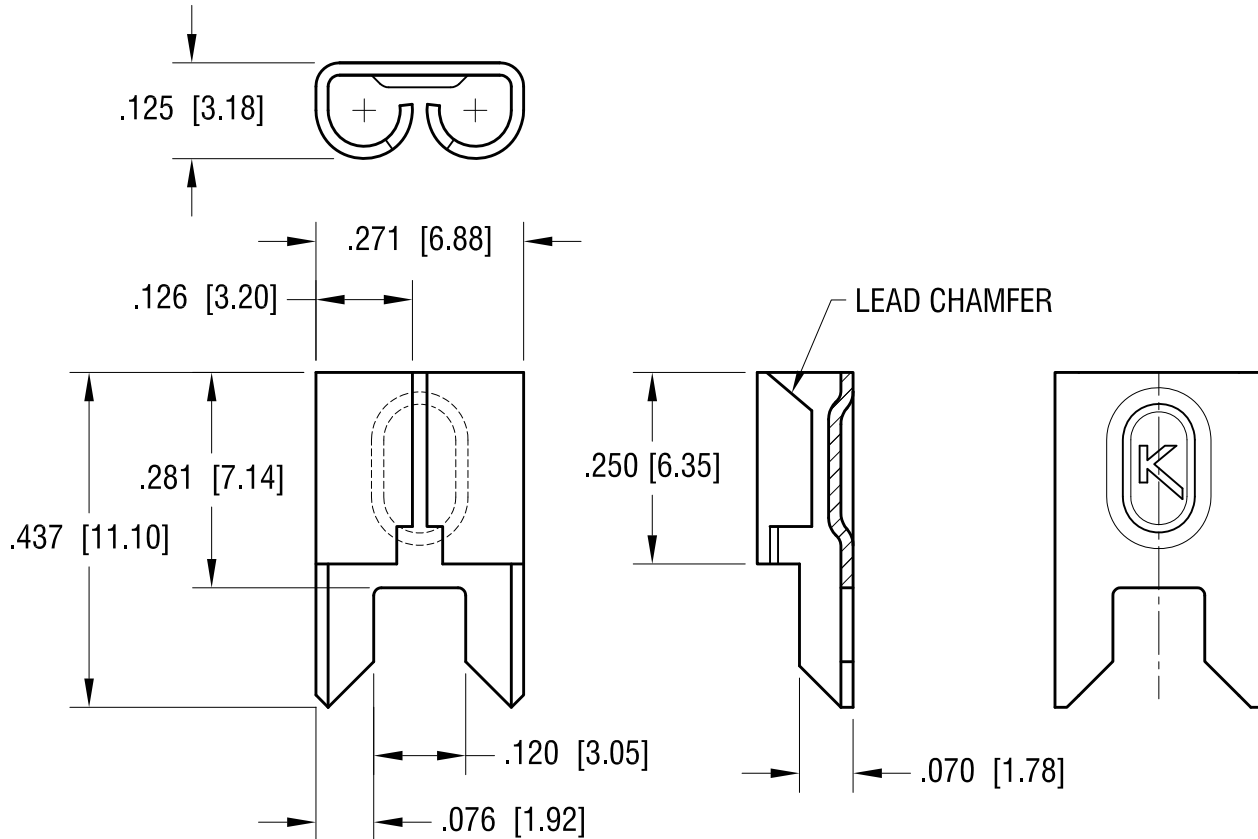


THIS DOCUMENT IS THE PROPERTY OF
KEYSTONE ELECTRONICS CORP. AND
SHALL NOT BE REPRODUCED, DISTRIBUTED
OR USED AS A BASIS FOR MANUFACTURE
WITHOUT PRIOR WRITTEN PERMISSION
FROM KEYSTONE ELECTRONICS CORP.

MOUNTING LAYOUT FOR TWO CLIPS



ACTUAL SIZE



2.24.20	CHANGE AS PE ECN 20-016'	H
7.12.06	CHANGE AS PER ECN 06-041	G
8.18.04	CHANGE AS PER ECN 04-064	F
DATE	DESCRIPTION	REV.

KEYSTONE ELECTRONICS CORP.			
www.keyelco.com • NEW HYDE PARK, NY 11040 • Tel (516) 328-7500			
PART NAME		PC AUTO FUSE CLIP	
MATERIAL		.016 [0.41] TH'K BRASS	
FINISH	TIN NICKEL PLATE	DRN BY	BOONE
		APP'D	RH
		DATE	11.14.90
		SCALE	4X
TOLERANCES	INCH [MM]	CODE	DWG NO.
DECIMAL	± .005 [± 0.13]	C	3522
ANGULAR	± 1°		
UNLESS OTHERWISE SPECIFIED			