

A compact version of the versatile 333 Timer, the ATC 353 is its exact functional duplicate. Packaged in a 72mm² DIN-Size housing, it occupies 40% less panel space and costs proportionately less. Modern production and assembly techniques have all but eliminated hand wiring, enhancing the reliability and life expectancy of the 353.

CONTROL VERSATILITY: The 353 operates either as a repeat cycle pulse generator or in single-cycle interval or delayed mode. You choose the kind of control action you want by installing jumpers on the terminal block. It also provides a choice of control output. Choose a standard plug-in SPDT relay or optional SPST solid-state switch module plus an independent-24VDC output signal at Terminal 16.

COMPUTER TESTED RELIABILITY: The solid-state 353 is manufactured from a series of computer-tested plug-in circuit boards and assembled virtually without hand wiring. Because it has no moving parts in its logic circuits, its life expectancy is practically unlimited. Even the load relay — the 353's only significant mechanical component — has a life expectancy of 100,000,000 operations (no load), while the optional solid-state switch module has virtually unlimited life expectancy. As a result, the 353 achieves an overall reliability that surpasses even the high level achieved by previous Shawnee timers.

SAVE 40% IN PANEL SPACE AND COST: Packaged in a 72mm² DIN-size housing, the 353 occupies 40% less panel space than previous IC timers. Modern production and assembly techniques have substantially reduced manufacturing costs and resulted in a 45% cost saving.

WIDE RANGE: Each Shawnee II 353 timer covers the overall span of 0.01 SEC to 999.9 MIN in four field-convertible ranges.

EASY TO SET: The Shawnee timer is easily and accurately set even with work gloves on. Push any of its four toggle levers in any sequence until the number you want appears above it. You can decrease as well as increase each number by pushing the levers up or down. You can change the setting at any time, even during a cycle.

NOISE IMMUNITY: The 353 does not have to be shielded: its transformer power supply, full-wave bridges, buffered logic and other design characteristics render it immune to the electrical noise that is sometimes encountered in industrial environments thus eliminating false starts and reset due to voltage spikes.

CYCLE PROGRESS INDICATION: The Shawnee 353 indicating timer provides cycle progress indication on a four-digit display located immediately above the digital setting number wheels.

OUTSTANDING REPEAT ACCURACY: Unsurpassed among industrial timers regardless of cost, the Shawnee 353 has a repeat accuracy of ± 10 milliseconds on any setting within its overall range of 999.9 MIN, even in the face of wide swings in temperature or voltage and regardless of the amount of reset time between cycles.

PLUG-IN AND DUST-TIGHT: All 353 timers feature true plug-in design and are dust-tight from the front of panel.



Shawnee II Digital Programmable Timer

MODEL NUMBER

MODEL NUMBER	353C			30	P	
RANGE						
999.9 SEC	346					
999.9 MIN	347					
99.99 SEC	351					
99.99 MIN	352					
Special	000					
VOLTAGE & FREQUENCY						
120/60			A			
240/60			B			
120/50			C			
240/50			D			
ARRANGEMENT						
With Display (On Delay)				30		
FEATURES						
Basic plug-in unit					P	
Standard unit						X
Special						K

ACCESSORIES:

Surface mounting bracket kit	353-260-27-00
Retrofit kit	305-265-61-70

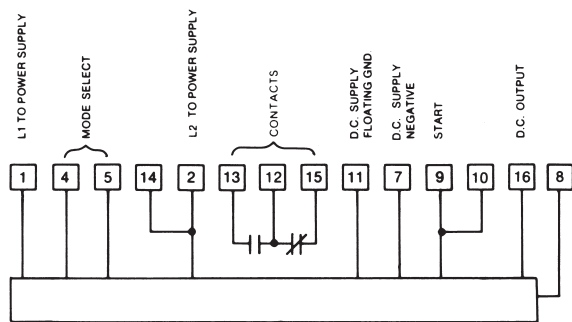
The 353C Directly Replaces 353B & 353A Functional Replacement for the 333 Timer

SPECIFICATIONS

RANGES	Four field convertible ranges 0.01 - 99.99 SEC 0.01 - 99.99 MIN 0.1 - 999.9 SEC 0.1 - 999.9 MIN	
TIMING MODES	Single cycle (interval or delayed) and repeat cycle pulse generator.	
VOLTAGE REQUIREMENTS		
START/RESET SIGNAL	POSITIVE POLARITY	Ready at 4.5V min. Reset at 1.0V max.
	NEGATIVE POLARITY	Ready at 3.0V min. Reset at 1.0V max
	Max. Continuous Input	40V.
	Ripple Voltage	must not go below minimum required
	AC Line Voltage Input Impedance	5K ohms.
RESET TIME		
	Circuit Reset	1 mSEC max.
	Relay Drop-Out	20 mSEC max.
START SWITCH REQUIREMENTS (ISOLATED CONTACT)		
	Switch Rating	10mA 30V
	Min Open Resistance	1 megohm
	Max. Closed Resistance	20K ohms
LATCHING MODE OPERATION (INTERVAL ONLY)		
	Min. Duration Start Signal	50 μSEC
	Max. Duration Start Signal	continuous
	Reset	when signal is removed

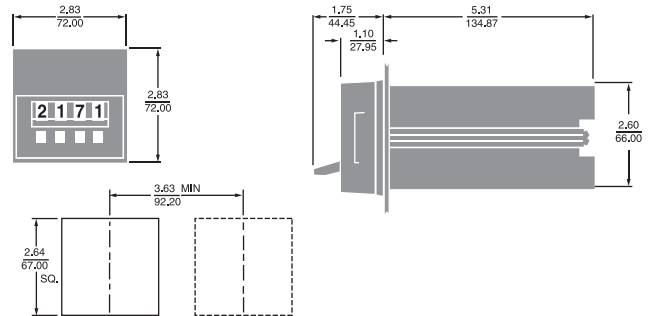
TEMPERATURE RATING	32° to 140°F (0 to 60°C)	
POWER REQUIREMENTS	120V	95 to 132V, 50/60 Hz inrush – 0.4 A running – 0.04 A
	240V	190 to 264V, 50/60 Hz inrush – 0.2 A running – 0.02 A ±10%

WIRING



DC POWER SUPPLY OUTPUT (TERMINAL 7)	Voltage	-24V ± 10%
	Current	40 mA max.
DC OUTPUT (TERMINAL 16)	Voltage	ON – -24V ± 10% OFF – -1V or less
	Current	with relay–5 mA max. without relay–40 mA max
	Impedance on	– 10 ohms max. off – 10K ohms.
PULSE GENERATOR OPERATION	PULSE ON TIME (with relay): 80 mSEC ± 20 mSEC (may be shortened or lengthened by installing a resistor or capacitor, respectively, across Terminals 4 and 11; see Operation Section for details.)	
LOAD RELAY	LIFE 100,000,000 operations (no load.) CONTACT RATING: 5A @ 120 VAC Resistive, 5A, 30 VDC Resistive	
REPEAT ACCURACY	±0.01 SEC on all ranges.	
MINIMUM SETTING	99.99 SEC or MIN ranges: 0.01 SEC or MIN, respectively. 999.9 SEC or MIN ranges: 0.1 SEC or MIN, respectively.	
MOUNTING ACCESSORIES	Standard	Hardware is provided to mount timer so that it is dust-tight from front of panel.
	Optional	Surface mounting without and with front facing terminals. (See Accessory section of catalog)
WEIGHT	NET: 1 lb., 7 oz. Shipping: 2 lbs.	

DIMENSIONS (INCHES)



PANEL CUTOUT SHOWING DISTANCE BETWEEN ADJACENT CUTOUTS.

TERMINAL WIRING

