

Features

- Bushing mount
- Optional center tap and rear shaft extension
- Optional AR lug feature
- Gangable with common or concentric shafts
- High torque available
- Non-standard features and specifications available

- RoHS compliant*

3540/3541 - Precision Potentiometer

Electrical Characteristics¹ 3540 Wirewound Element 3541 Hybritron® Element

| | | |
|---|--------------------------------|-----------------------|
| Standard Resistance Range..... | 100 to 100 K ohms..... | 1 K to 100 K ohms |
| Total Resistance Tolerance..... | ±5 %..... | ±10 % |
| Independent Linearity..... | ±0.25 %..... | ±0.25 % |
| Effective Electrical Angle..... | 3600 ° +10 °, -0 °..... | 3600 ° +10 °, -0 ° |
| Absolute Minimum Resistance/..... | 1 ohm or 0.1 % maximum..... | 0.2 % maximum |
| Minimum Voltage..... | (whichever is greater) | |
| Noise/Output Smoothness..... | 100 ohms ENR maximum..... | 0.1 % maximum |
| Dielectric Withstanding Voltage (MIL-STD-202, Method 301) | | |
| Sea Level..... | 1,000 VAC minimum..... | 1,000 VAC minimum |
| Power Rating (Voltage Limited By Power Dissipation or 447 VAC, Whichever Is Less) | | |
| +70 °C..... | 2 watts..... | 2 watts |
| +125 °C..... | 0 watt..... | 0 watt |
| Insulation Resistance (500 VDC)..... | 1,000 megohms minimum..... | 1,000 megohms minimum |
| Resolution..... | See recommended part nos. | Essentially infinite |

Environmental Characteristics¹

| | | |
|--|--|--|
| Operating Temperature Range..... | -40 °C to +125 °C..... | -40 °C to +125 °C |
| Storage Temperature Range..... | -55 °C to +125 °C..... | -55 °C to +125 °C |
| Temperature Coefficient Over | | |
| Storage Temperature Range ² | ±50 ppm/°C maximum/unit..... | ±100 ppm/°C maximum/unit |
| Vibration..... | 15 G..... | 15 G |
| Wiper Bounce..... | 0.1 millisecond maximum..... | 0.1 millisecond maximum |
| Shock..... | 50 G..... | 50 G |
| Wiper Bounce..... | 0.1 millisecond maximum..... | 0.1 millisecond maximum |
| Load Life..... | 1,000 hours, 2 watts..... | 1,000 hours, 2 watts |
| Total Resistance Shift..... | ±2 %..... | ±5 % |
| Rotational Life (No Load)..... | 1,000,000 shaft revolutions ² | 5,000,000 shaft revolutions ² |
| Total Resistance Shift..... | ±5 % maximum..... | ±5 % maximum |
| Moisture Resistance (MIL-STD-202, Method 103, Condition B) | | |
| Total Resistance Shift..... | ±2 % maximum..... | ±5 % maximum |
| IP Rating..... | IP 40..... | IP 40 |

Mechanical Characteristics¹

| | |
|---------------------------------------|---|
| Stop Strength..... | 53 N-cm (75 oz.-in.) minimum |
| Mechanical Angle..... | 3600 ° +10 °, -0 ° |
| Torque | |
| Starting & Running @ +25 °C..... | 0.49 N-cm (0.7 oz.-in.) max. |
| Starting & Running @ -40 °C..... | 1.76 N-cm (2.5 oz.-in.) max. |
| Mounting..... | 170-200 N-cm (15-18 lb.-in.) max. |
| Shaft Runout..... | 0.08 mm (0.003 in.) T.I.R. |
| Lateral Runout..... | 0.13 mm (0.005 in.) T.I.R. |
| Shaft End Play..... | 0.30 mm (0.012 in.) T.I.R. |
| Shaft Radial Play..... | 0.08 mm (0.003 in.) T.I.R. |
| Pilot Diameter Runout..... | 0.08 mm (0.003 in.) T.I.R. |
| Backlash..... | 1.0 ° maximum |
| Weight..... | Approximately 21 gm |
| Terminals..... | Gold-plated solder lugs |
| Soldering Condition | |
| Manual Soldering..... | 96.5Sn/3.0Ag/0.5Cu solid wire or no-clean rosin cored wire; 370 °C (700 °F) max. for 3 seconds |
| Wave Soldering..... | 96.5Sn/3.0Ag/0.5Cu solder with no-clean flux; 260 °C (500 °F) max. for 5 seconds |
| Wash processes..... | Not recommended |
| Marking..... | Manufacturer's name and part number, resistance value and tolerance, linearity tolerance, wiring diagram, and date code |
| Ganging (Multiple Section Pots.)..... | 2 cups maximum |
| Hardware..... | One lockwasher (H-37-2) and one mounting nut (H-38-2) is shipped with each potentiometer. |

¹At room ambient: +25 °C nominal and 50 % relative humidity nominal, except as noted.

²Consult manufacturer for complete specification details.

Recommended Part Numbers

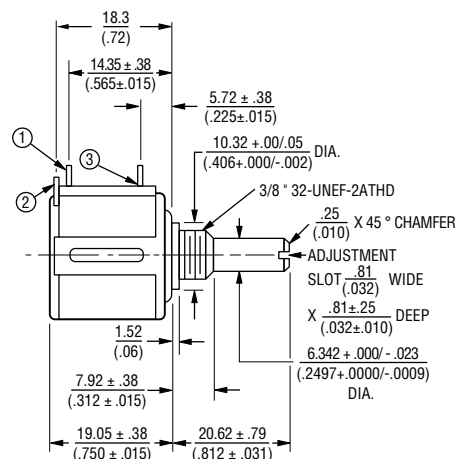
| Part Number | Resistance (Ω) | Resolution |
|--------------|----------------|------------|
| 3540S-1-201L | 200 | .042 |
| 3540S-1-501L | 500 | .031 |
| 3540S-1-102L | 1,000 | .027 |
| 3540S-1-202L | 2,000 | .021 |
| 3540S-1-502L | 5,000 | .021 |
| 3540S-1-103L | 10,000 | .019 |
| 3540S-1-203L | 20,000 | .014 |
| 3540S-1-503L | 50,000 | .011 |
| 3540S-1-104L | 100,000 | .008 |

| Part Number | Resistance (Ω) |
|--------------|----------------|
| 3541H-1-102L | 1,000 |
| 3541H-1-202L | 2,000 |
| 3541H-1-502L | 5,000 |
| 3541H-1-103L | 10,000 |
| 3541H-1-203L | 20,000 |
| 3541H-1-503L | 50,000 |
| 3541H-1-104L | 100,000 |

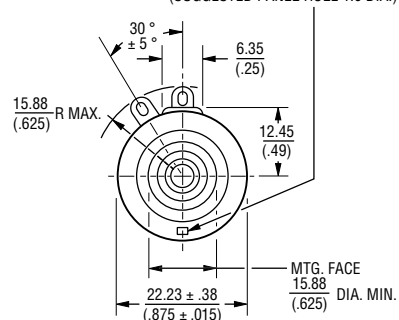
Specifications are subject to change without notice. Users should verify actual device performance in their specific applications. The products described herein and this document are subject to specific disclaimers as set forth on the last page of this document, and at www.bourns.com/legal/disclaimer.pdf.

Product Dimensions

3540S-1/3541H-1



OPTIONAL ANTIROTATION LUG
(-91) 1.42 X .50 ON 7.4 RADIUS.
LENGTH 1.27 FROM MOUNTING SURFACE.
(SUGGESTED PANEL HOLE 1.6 DIA.)

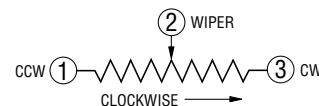


TOLERANCES: EXCEPT WHERE NOTED

DECIMALS: XX ± .25
(.010), .XXX ± .13
(.005)

FRACTIONS: ±1/64

DIMENSIONS: MM
(IN.)



BOLDFACE LISTINGS ARE IN STOCK AND READILY AVAILABLE THROUGH DISTRIBUTION.

FOR OTHER OPTIONS CONSULT FACTORY.

ROHS IDENTIFIER:
L = COMPLIANT



WARNING
Cancer and Reproductive Harm

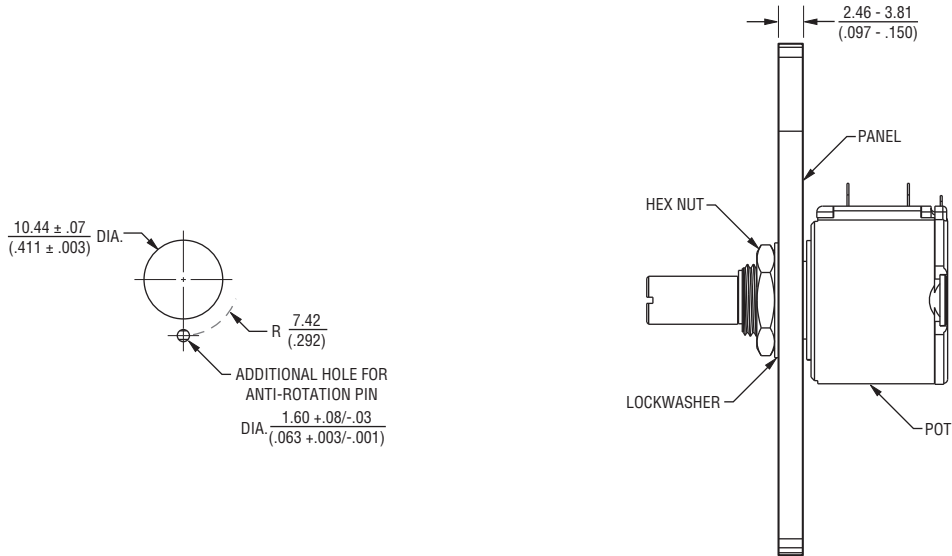
www.P65Warnings.ca.gov

*RoHS Directive 2015/863, Mar 31, 2015 and Annex.

3540/3541 - Precision Potentiometer

BOURNS®

Panel Thickness Dimensions



Anti-rotation pin hole is shown at six o'clock position for reference only. The actual location is determined by the customer's application. Refer to the front view of the potentiometer to see the location of the optional A/R pin.

Panel thickness and hole diameters are recommended for best fit. However, customers may adjust the dimensions to suit their specific application.

DIMENSIONS: $\frac{\text{MM}}{\text{(INCHES)}}$ TOLERANCES: $\pm \frac{0.127}{(.005)}$

REV. 10/19

Specifications are subject to change without notice.

Users should verify actual device performance in their specific applications.

The products described herein and this document are subject to specific disclaimers as set forth on the last page of this document, and at www.bourns.com/legal/disclaimer.pdf.