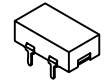
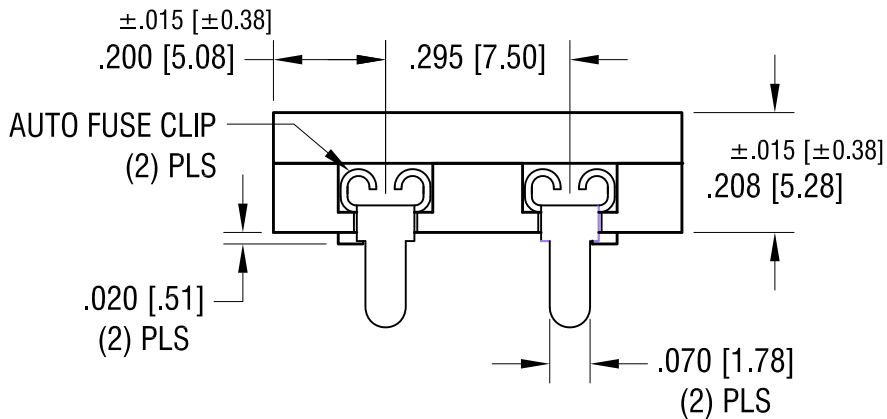
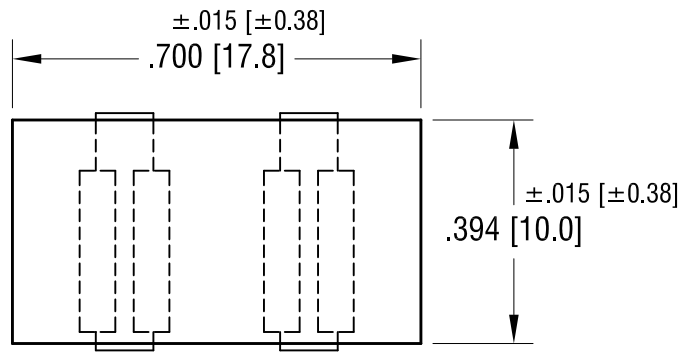
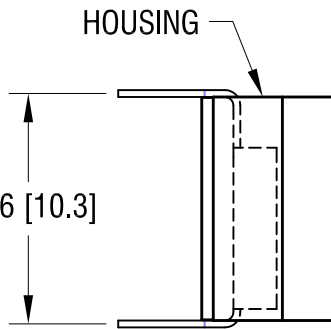
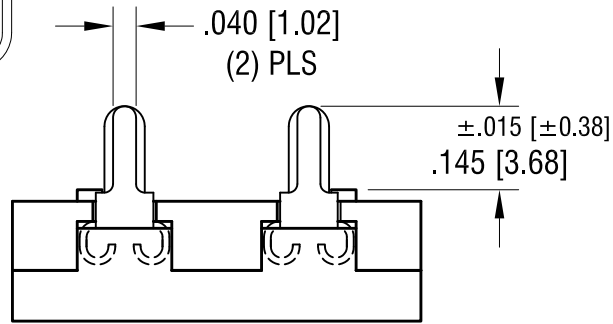
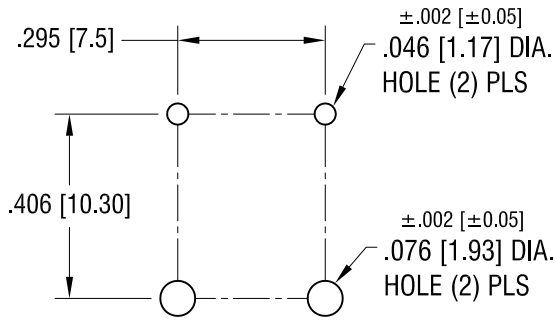


THIS DOCUMENT IS THE PROPERTY OF KEYSTONE ELECTRONICS CORP. AND SHALL NOT BE REPRODUCED, DISTRIBUTED OR USED AS A BASIS FOR MANUFACTURE WITHOUT PRIOR WRITTEN PERMISSION FROM KEYSTONE ELECTRONICS CORP.

ACTUAL SIZE



MOUNTING DETAIL



NOTE:

CLIP: MAT'L: .012 [0.30] TH'K BRASS, TIN PLATE
 HOUSING: MAT'L: NYLON 66, UL 94V-0

DATE	DESCRIPTION	REV.
12.05.12	CHANGE AS PER ECN 12-157	D
6.21.12	CHANGE AS PER ECN 12-075	C
11.20.09	MATERIAL WAS PBT, UL 94V-0	B
9.24.08	CHANGE AS PER ECN 08-164	A

KEYSTONE ELECTRONICS CORP.
 www.keyelco.com • ASTORIA, N.Y. 11105-2017 • Tel (718) 956-8900

PART NAME
HORIZONTAL MINI. AUTO-BLADE FUSE HOLDER

MATERIAL
AS NOTED

FINISH AS NOTED	DRN BY	BOONE	DATE	12.28.06
	APP'D	LN	SCALE	3X

TOLERANCES INCH [MM]
 DECIMAL ±.005 [±0.13]
 ANGULAR ± 1°
 UNLESS OTHERWISE SPECIFIED

CODE
C

DWG NO.
3549-2