

Features

- Wirewound and Hybritron® elements
- High rotational life
- Optional 0.1 % linearity
- Optional A/R lug
- RoHS compliant*
- Suitable for use under some side load conditions
- Designed for HMI and MMI applications
- Dual gang option
- Servo mount option
- Dual ball bearing option

3549 - 10-Turn Precision Potentiometer

| Electrical Characteristics ¹ | Wirewound Element | Hybritron® Element |
|---|-----------------------------|-----------------------|
| Standard Resistance Range..... | 100 to 100K ohms..... | 1K to 100K ohms |
| Total Resistance Tolerance..... | ±3 %..... | ±10 % |
| Independent Linearity..... | ±0.2 %..... | ±0.2 % |
| Independent Linearity (Maximum Practical)..... | ±0.1 %..... | ±0.1 % |
| Effective Electrical Angle..... | 3600 ° +10 °, -0 °..... | 3600 ° +10 °, -0 ° |
| Absolute Minimum Resistance/End Voltage..... | 1 ohm or 0.1 % maximum..... | 0.2 % maximum |
| (whichever is greater) | | |
| Noise/Output Smoothness..... | 100 ohms maximum..... | 0.10 % maximum |
| Max. Wiper Current @ 5K ohms..... | 20 mA..... | 10 mA |
| Dielectric Withstanding Voltage (MIL-STD-202, Method 301) | | |
| Sea Level..... | 1,000 VAC minimum..... | 1,000 VAC minimum |
| Insulation Resistance (500 VDC)..... | 1,000 megohms minimum..... | 1,000 megohms minimum |
| Resolution..... | See How to Order chart..... | Essentially infinite |
| Power Rating (Voltage Limited By Power Dissipation) | | |
| +70 °C..... | 2 watts..... | 2 watts |
| +125 °C..... | 0 watt..... | 0 watt |

| Environmental Characteristics ¹ | Wirewound Element | Hybritron® Element |
|---|----------------------------------|------------------------------|
| Operating Temperature Range | | |
| Dynamic..... | -40 °C to +125 °C..... | -40 °C to +125 °C |
| Static..... | -55 °C to +125 °C..... | -55 °C to +125 °C |
| Temperature Coefficient (Over Static Temperature Range)..... | ±50 ppm/°C..... | ±100 ppm/°C |
| Temperature Cycling (5 Cycles Over Static Temperature Range)..... | ±2 % TR shift max..... | ±4 % TR shift max. |
| Vibration (15 Gs, 10 Hz to 2 kHz) | | |
| Wiper Bounce..... | 0.1 ms max..... | 0.1 ms max. |
| Shock (100 Gs, 6 ms sawtooth) | | |
| Wiper Bounce..... | 0.1 ms max..... | 0.1 ms max. |
| Load Life (1,000 hours @ 70 °C)..... | ±2 % TR shift..... | ±5 % TR shift max. |
| Rotational Life | | |
| No Load or Powered..... | 2,000,000 shaft revolutions..... | 5,000,000 shaft revolutions |
| No Load or Powered (Dual Ball Bearing)..... | N/A..... | 10,000,000 shaft revolutions |
| Moisture Resistance (Mil-Std-202, Method 103)..... | ±2 % TR shift max..... | ±5 % TR shift max. |
| IP Rating..... | IP 50..... | IP 50 |

| Mechanical Characteristics ¹ | Wirewound Element | Hybritron® Element |
|--|--|-------------------------------------|
| Mechanical Angle..... | | 3600 ° +10 °, -0 ° |
| Backlash..... | | 1.0 ° max. |
| Stop Strength..... | | 53 N-cm (75 oz-in.) min. |
| Torque | | |
| Starting..... | | 0.5 N-cm (0.7 oz-in.) max. |
| Running..... | | 0.5 N-cm (0.7 oz-in.) max. |
| Clutch..... | | 1.0 to 4.2 N-cm (1.5 to 6.0 oz-in.) |
| Mounting..... | | 170-200 N-cm (15-18 in.-lb.) max. |
| Shaft Runout T.I.R..... | | 0.08 mm (0.003 in.) |
| Lateral Runout T.I.R..... | | 0.13 mm (0.005 in.) |
| Shaft End Play T.I.R..... | | 0.15 mm (0.006 in.) |
| Shaft Radial Play T.I.R..... | | 0.08 mm (0.003 in.) |
| Pilot Diameter Runout T.I.R..... | | 0.08 mm (0.003 in.) |
| Weight | | |
| Single..... | | 20 gm (0.7 oz.) typ. |
| Dual..... | | 36 gm (1.27 oz) typ. |
| Shaft Side Load (Max. Allowable) | | |
| Nickel Plated Brass Shaft w/Brass Bushing..... | | 50 gmf (1.7 ozf) |
| Stainless Steel Shaft w/Bronze Bushing..... | | 250 gmf (8.8 ozf) |
| Terminals..... | | Gold-plated solder lugs |
| Soldering Condition | | |
| Manual Soldering..... | 96.5Sn/3.0Ag/0.5Cu solid wire or no-clean rosin cored wire, 370 °C (700 °F) max. for 3 seconds | |
| Wave Soldering..... | 96.5Sn/3.0Ag/0.5Cu solder with no-clean flux, 260 °C (500 °F) max. for 5 seconds | |
| Wash processes..... | | Not recommended |
| Mounting Hardware..... | One lockwasher and one mounting nut is shipped with each potentiometer | |
| Recommended Panel Thickness (Bushing Mount)..... | | 2.46-3.81 mm (0.097-0.150 in.) |
| Marking..... | Manufacturer's symbol, model number, product code and date code | |
| Standard Packaging..... | Plastic trays (5 pcs./tray) | |

¹At room ambient: +25 °C nominal and 50 % relative humidity nominal, except as noted.
For other options, please consult factory.



WARNING
Cancer and Reproductive Harm
www.P65Warnings.ca.gov

*RoHS Directive 2015/863, Mar 31, 2015 and Annex.

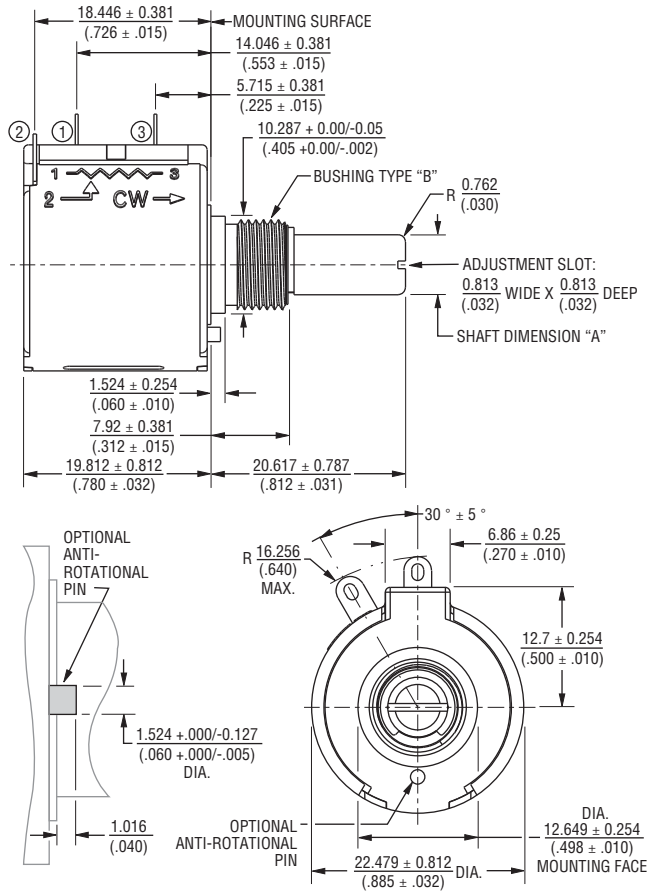
Specifications are subject to change without notice. Users should verify actual device performance in their specific applications. The products described herein and this document are subject to specific legal disclaimers as set forth on the last page of this document, and at www.bourns.com/docs/legal/disclaimer.pdf

3549 - 10-Turn Precision Potentiometer

BOURNS®

Product Dimensions

Single Gang, Bushing Mount



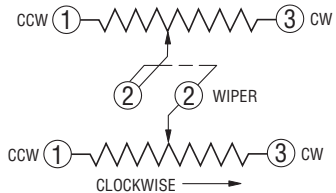
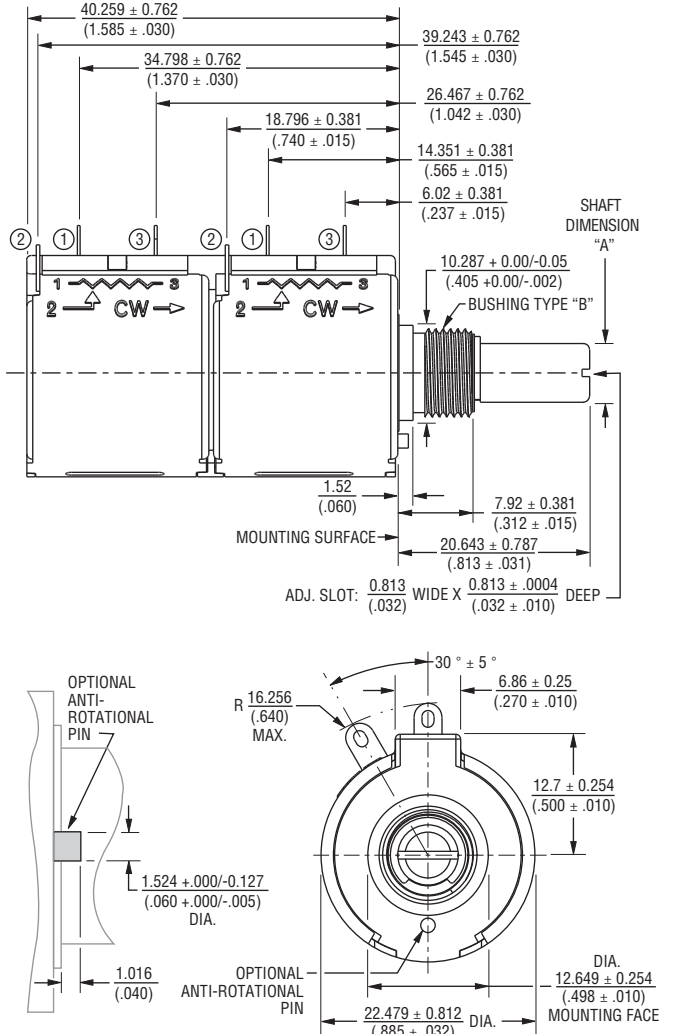
TOLERANCES: EXCEPT WHERE NOTED

DECIMALS: .XX ± .50
(.02) .XXX ± .127
(.005) .XXXX ± .0127
(.0005)

DIMENSIONS: $\frac{MM}{(IN)}$

| Bushing Selection Code | Shaft Dimension "A" | Shaft Material | Bushing Type "B" | Bushing Material |
|------------------------|--|---------------------|-----------------------|------------------|
| A | $\frac{6.34 \pm 0/-0.022}{(0.2497 \pm 0/-0.0009)}$ | Nickel Plated Brass | 3/8" 32-UNEF- 2A THD. | Brass |
| B | $\frac{6.00 \pm 0/-0.022}{(0.2362 \pm 0/-0.0009)}$ | Nickel Plated Brass | M9 X 0.75-8g | Brass |
| C | $\frac{6.34 \pm 0/-0.007}{(0.2497 \pm 0/-0.0003)}$ | Stainless Steel | 3/8" 32-UNEF- 2A THD. | Bronze |
| D | $\frac{6.00 \pm 0/-0.007}{(0.2362 \pm 0/-0.0003)}$ | Stainless Steel | M9 X 0.75-8g | Bronze |
| G | $\frac{6.34 \pm 0/-0.007}{(0.2497 \pm 0/-0.0003)}$ | Stainless Steel | 3/8" 32-UNEF- 2A THD. | Bronze |
| H | $\frac{6.00 \pm 0/-0.007}{(0.2362 \pm 0/-0.0003)}$ | Stainless Steel | M9 X 0.75-8g | Bronze |

Dual Gang, Bushing Mount



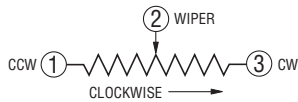
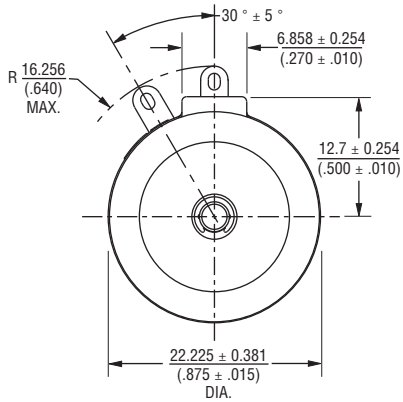
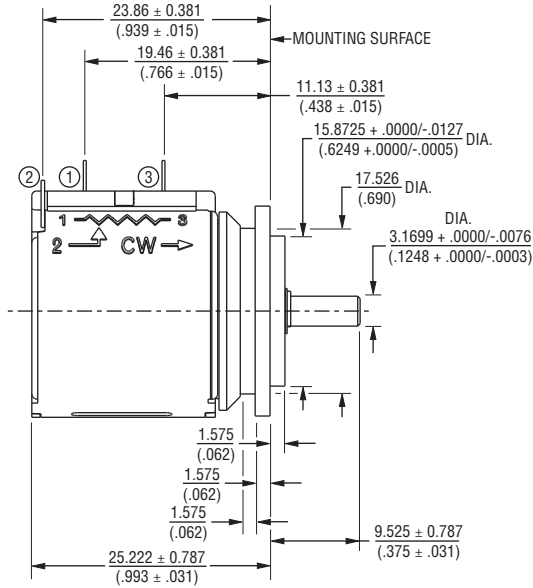
Specifications are subject to change without notice. Users should verify actual device performance in their specific applications. The products described herein and this document are subject to specific legal disclaimers as set forth on the last page of this document, and at www.bourns.com/docs/legal/disclaimer.pdf.

3549 - 10-Turn Precision Potentiometer

BOURNS®

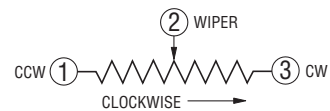
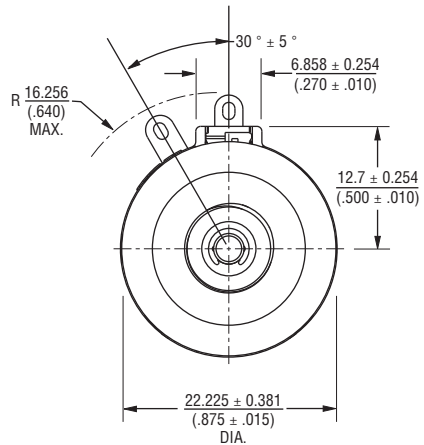
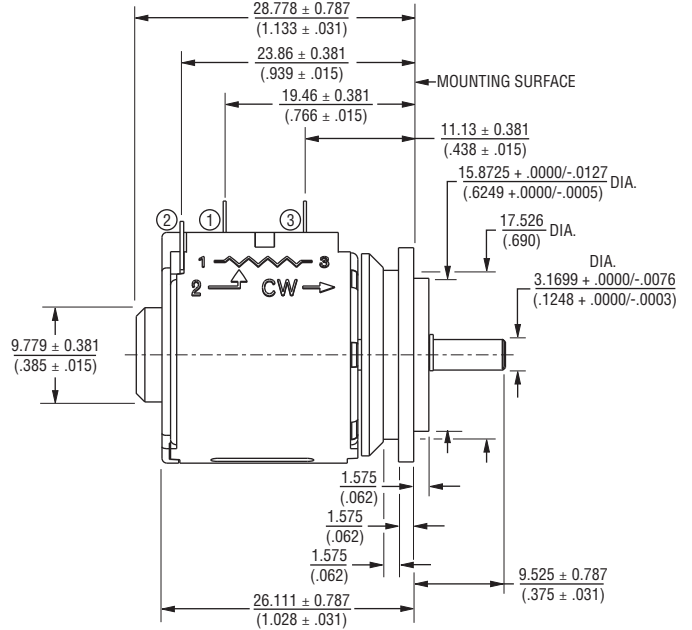
Product Dimensions

Single Gang, Servo Mount



TOLERANCES: EXCEPT WHERE NOTED
 DECIMALS: .XX ± .50 (.02) .XXX ± .127 (.005) .XXXX ± .0127 (.0005)
 DIMENSIONS: $\frac{MM}{(IN)}$

Single Gang, Servo Mount, Dual Ball Bearing



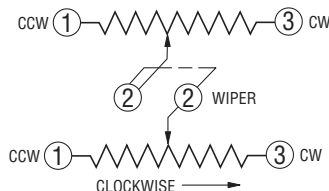
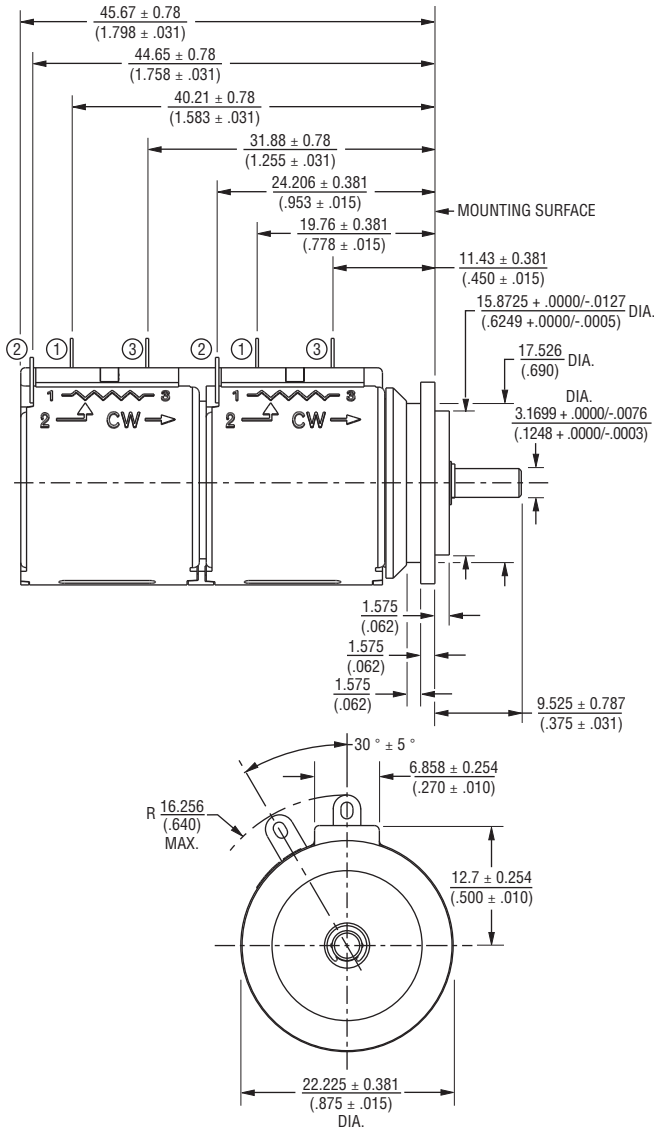
Specifications are subject to change without notice. Users should verify actual device performance in their specific applications. The products described herein and this document are subject to specific legal disclaimers as set forth on the last page of this document, and at www.bourns.com/docs/legal/disclaimer.pdf.

3549 - 10-Turn Precision Potentiometer

BOURNS®

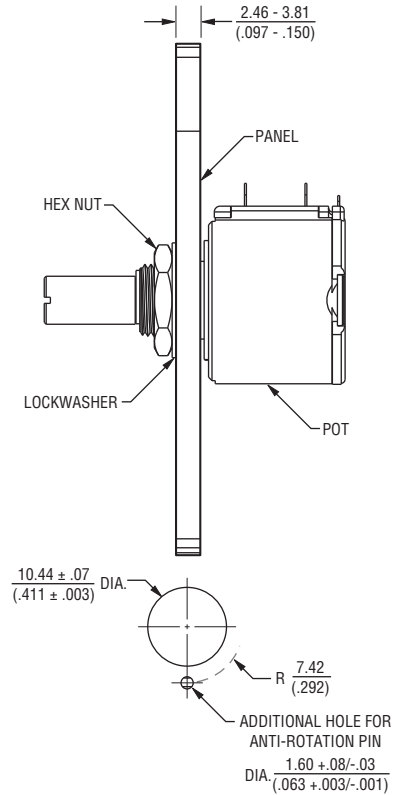
Product Dimensions

Dual Gang, Servo Mount



Panel Thickness Dimensions

(For Bushing Mount Only)



Anti-rotation pin hole is shown at six o'clock position for reference only. The actual location is determined by the customer's application. Refer to the front view of the potentiometer to see the location of the optional A/R pin.

Panel thickness and hole diameters are recommended for best fit. However, customers may adjust the dimensions to suit their specific application.

DIMENSIONS: $\frac{\text{MM}}{\text{(INCHES)}}$ TOLERANCES: $\pm \frac{0.127}{(.005)}$

Specifications are subject to change without notice.

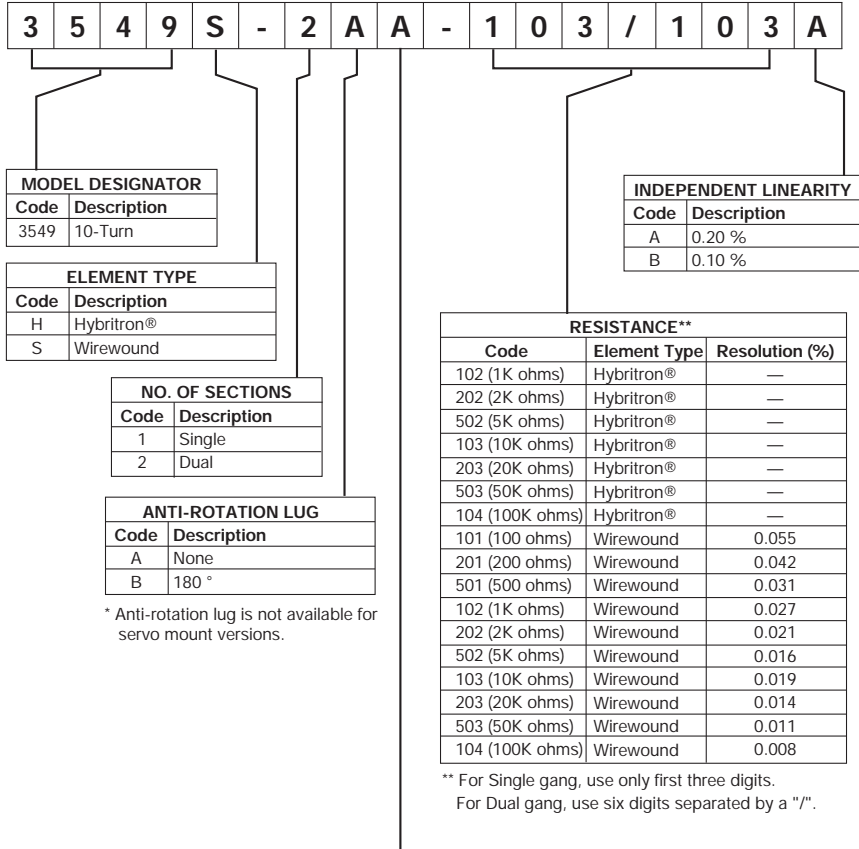
Users should verify actual device performance in their specific applications.

The products described herein and this document are subject to specific legal disclaimers as set forth on the last page of this document, and at www.bourns.com/docs/legal/disclaimer.pdf.

3549 - 10-Turn Precision Potentiometer

BOURNS®

How To Order



| BUSHING MOUNT | | | | | | |
|---------------|-----------|------------|---------------------|--------------|------------------|-------------|
| Code | Shaft FMS | Shaft Dia. | Shaft Material | Bushing Dia. | Bushing Material | Slip Clutch |
| A | 13/16 " | 1/4 " | Nickel Plated Brass | 3/8 " | Brass | N/A |
| B | 20.6 mm | 6 mm | Nickel Plated Brass | 9 mm | Brass | N/A |
| C | 13/16 " | 1/4 " | Stainless Steel | 3/8 " | Bronze | N/A |
| D | 20.6 mm | 6 mm | Stainless Steel | 9 mm | Bronze | N/A |
| G | 13/16 " | 1/4 " | Stainless Steel | 3/8 " | Bronze | Yes*** |
| H | 20.6 mm | 6 mm | Stainless Steel | 9 mm | Bronze | Yes*** |

| SERVO MOUNT | | | | |
|-------------|-----------|------------|-----------------|------------------|
| Code | Shaft FMS | Shaft Dia. | Shaft Material | Ball Bearings |
| E | 3/8 " | 1/8 " | Stainless Steel | N/A |
| F | 3/8 " | 1/8 " | Stainless Steel | Front & Rear**** |

*** Not available in dual gang version.

**** Available in Hybritron® version only and limited to single section.

REV. 10/19

"Hybritron" is a registered trademark of Bourns, Inc.

Specifications are subject to change without notice.

Users should verify actual device performance in their specific applications.

The products described herein and this document are subject to specific legal disclaimers as set forth on the last page of this document, and at www.bourns.com/docs/legal/disclaimer.pdf.