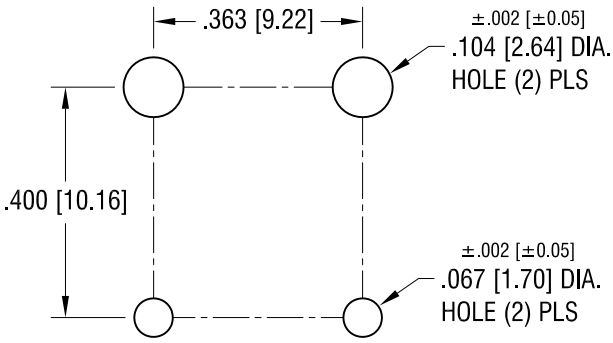
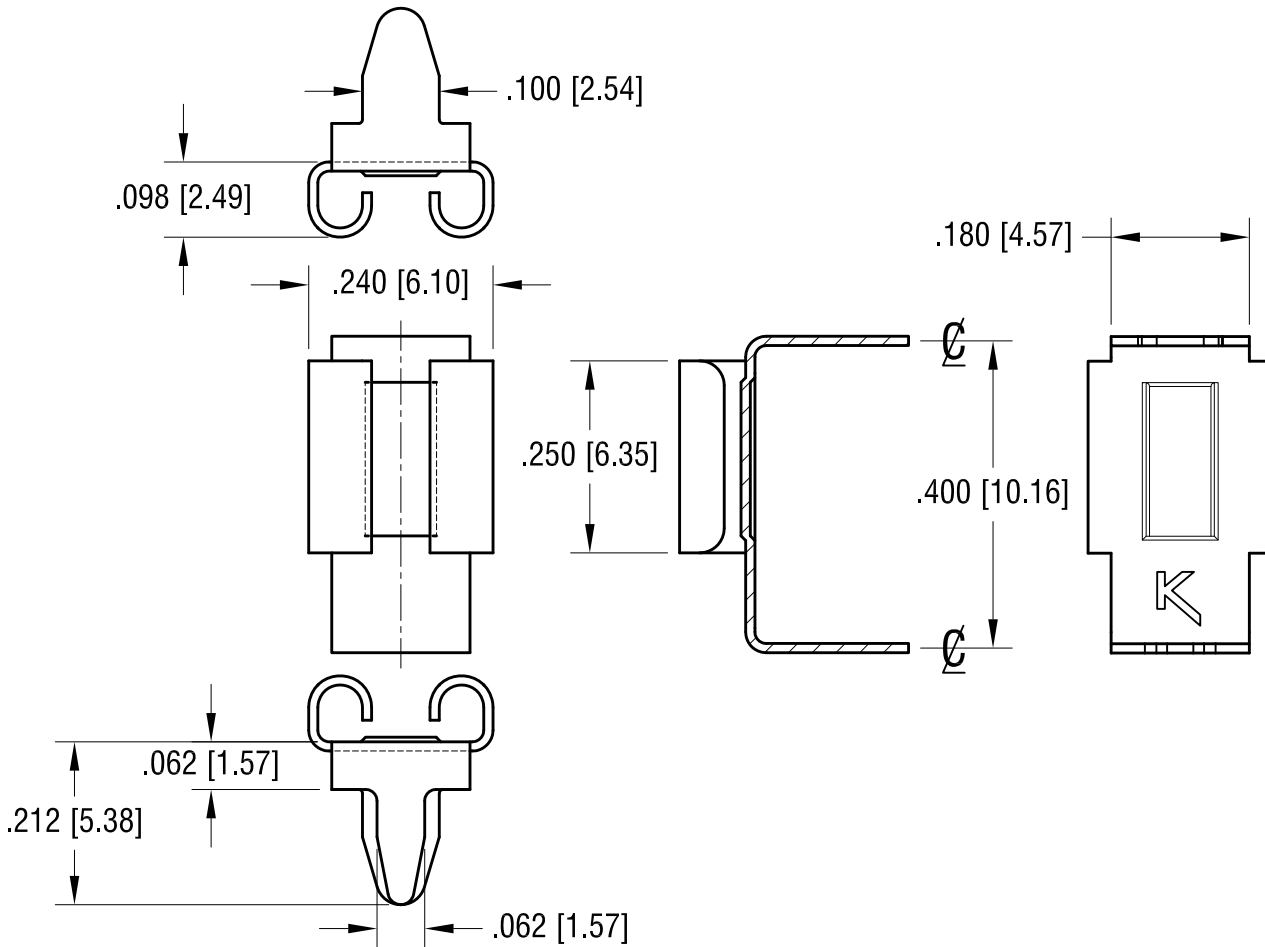


THIS DOCUMENT IS THE PROPERTY OF
KEYSTONE ELECTRONICS CORP. AND
SHALL NOT BE REPRODUCED, DISTRIBUTED
OR USED AS A BASIS FOR MANUFACTURE
WITHOUT PRIOR WRITTEN PERMISSION
FROM KEYSTONE ELECTRONICS CORP.

MOUNTING DETAIL



ACTUAL SIZE



KEYSTONE ELECTRONICS CORP.

www.keyelco.com • NEW HYDE PARK, NY 11040 • Tel (516) 328-7500

PART NAME

HORIZONTAL AUTO-FUSE CLIP, 205 x .032

MATERIAL

.012 [0.30] TH'K BRASS

FINISH

TIN NICKEL PLATE

DRN BY

BOONE

DATE

12.01.94

APP'D

LN

SCALE

4X

TOLERANCES

INCH [MM]

DECIMAL

± .005 [± 0.13]

ANGULAR

±

UNLESS OTHERWISE SPECIFIED

CODE

C

DWG NO.

3550

9.10.12	CHANGE AS PER ECN 12-133	C
10.18.05	CHANGE AS PER ECN 05-076	B
DATE	DESCRIPTION	REV.