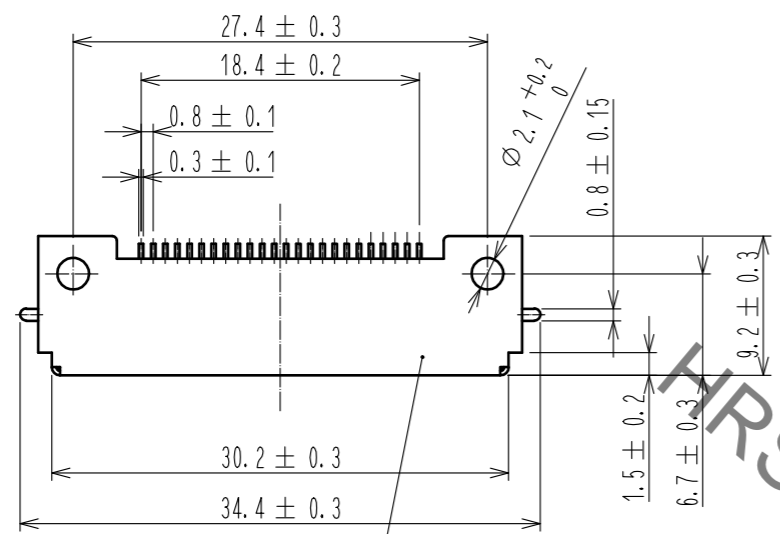
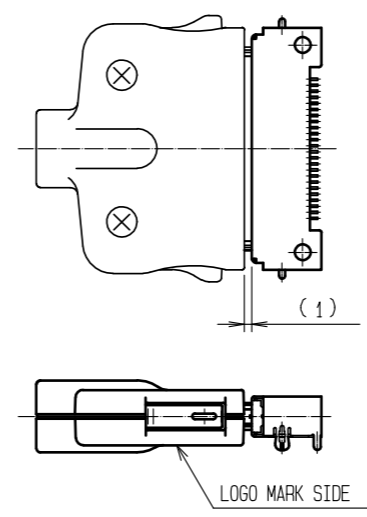


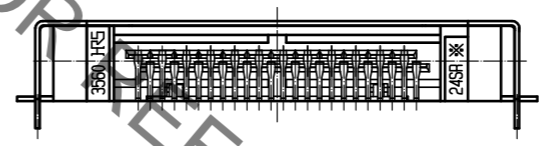
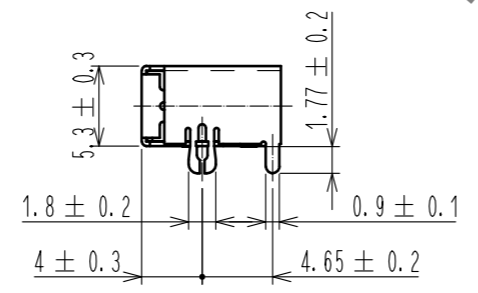
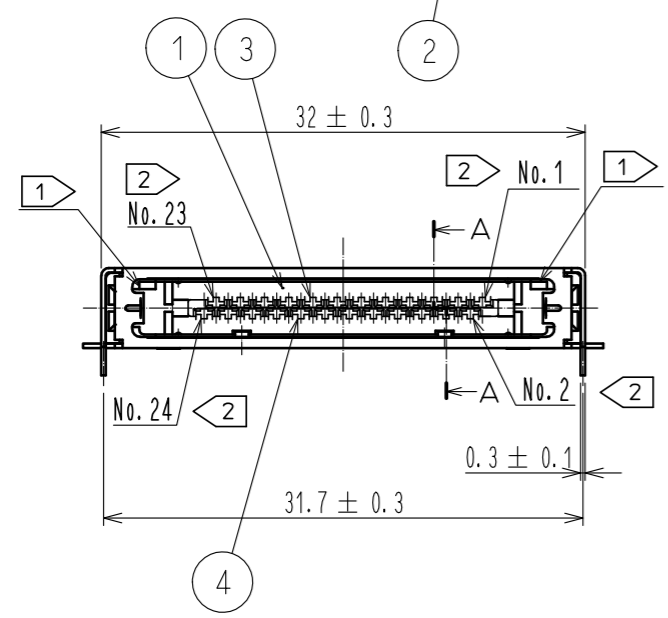
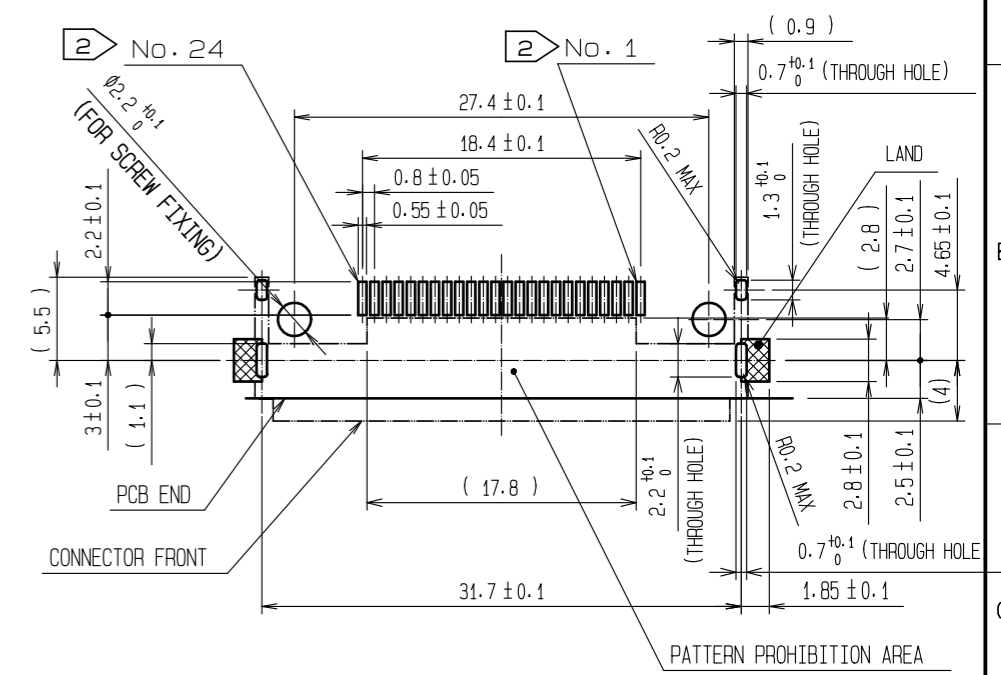
Jul.1.2019 Copyright 2019 HIROSE ELECTRIC CO., LTD. All Rights Reserved.  
In case of consideration for using Automotive equipment / device which demand high reliability, kindly contact our sales window correspondents.



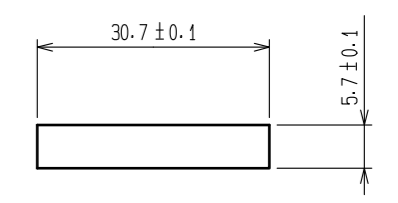
1  
FIG. 1 PLUG MATED FIGURE(1:1)



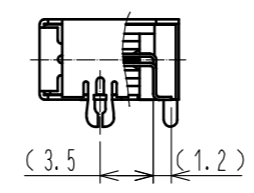
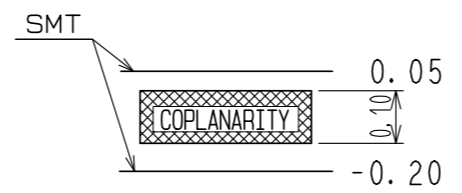
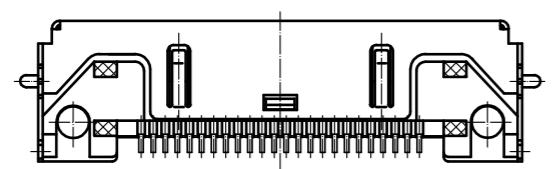
RECOMMENDED PC BOARD PATTERN [REFERENCE](2:1)  
APPLICABLE PC BOARD t=0.8~1.6



PANEL CUTOUT(1:1)  
(PANEL THICKNESS t=1.5 mm MAX)



3 FIG. 2 SMT&COPLANARITY LEAD DIMENSIONS



- NOTES
- 1 LOGO MARK SIDE DIRECTION AFTER PLUG MATING SHALL BE AS SHOWN IN FIG. 1
  - 2 CONTACT No. ARRANGEMENT SHALL BE AS SHOWN IN THE FIGURE.
  - 3 SMT LEAD DIMENSION FOR CONTACT (REF No. ③ ④) AND SHELL (REF No. ②) SHALL BE AS SHOWN IN THE FIG. 2

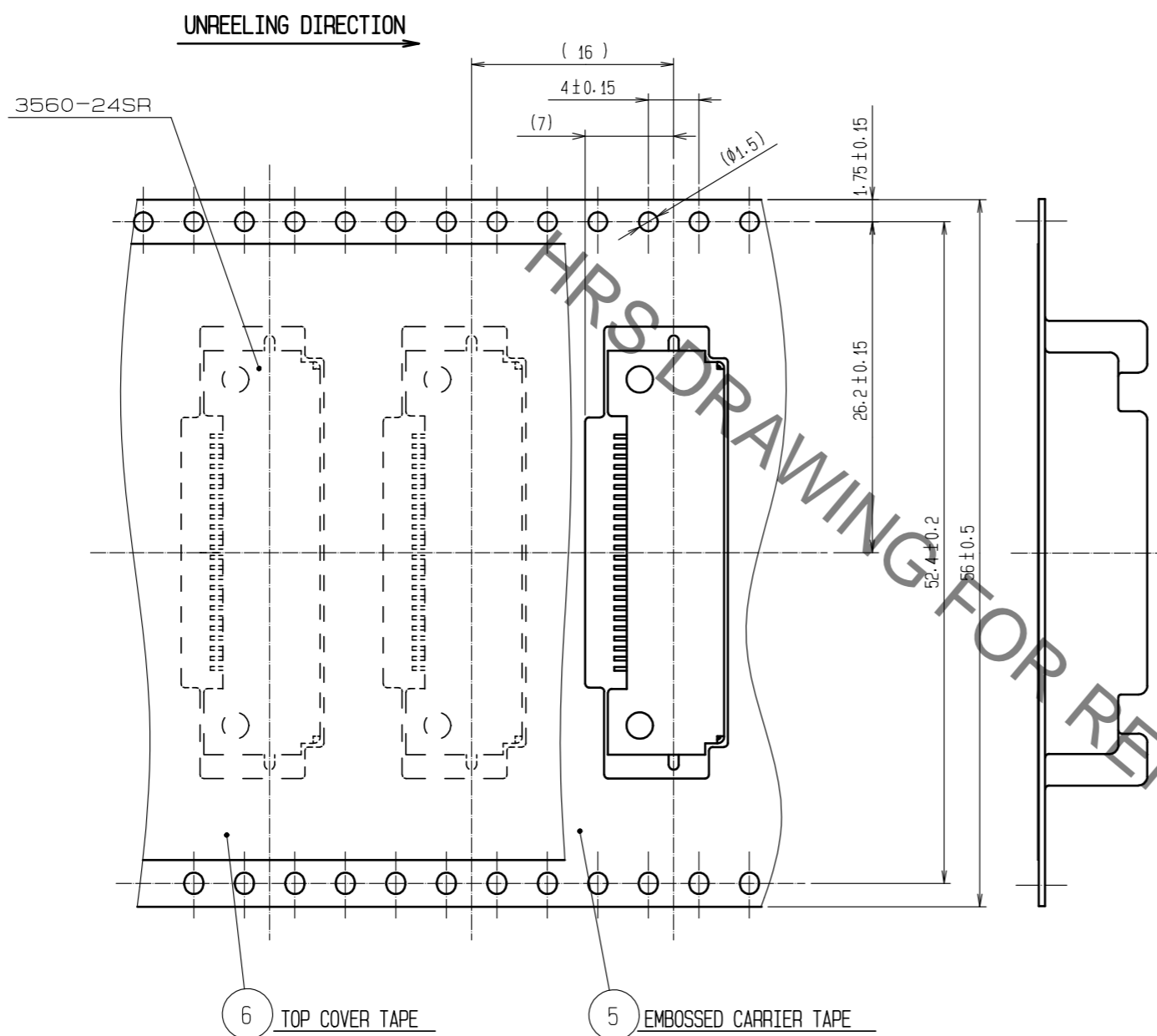
NO.	MATERIAL	FINISH . REMARKS	NO.	MATERIAL	FINISH . REMARKS
2	STAINLESS STEEL	TIN PLATING 1µm min REFLOW FINISH UNDER NICKEL PLATING 0.2µm min	6	PS	
1	POLYAMIDE	(BLACK) UL94V-0	5	PS	
			3, 4	COPPER ALLOY	CONTACT AREA GOLD PLATING 0.76µm min PdNi PLATING 0.7µm min LEAD AREA GOLD PLATING 0.03µm min UNDER PLATING NICKEL PLATING 2µm min

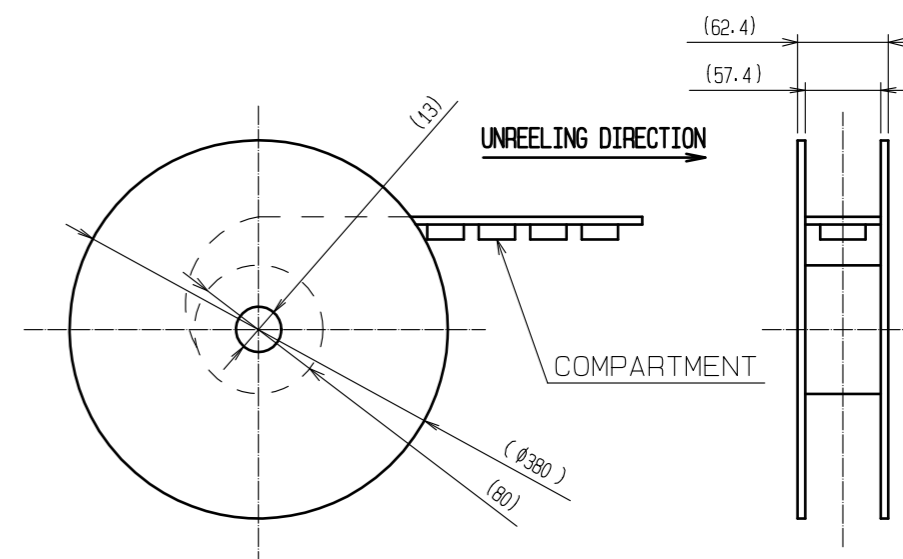
UNITS	SCALE	COUNT	DESCRIPTION OF REVISIONS	DESIGNED	CHECKED	DATE
mm	2 : 1	△				
APPROVED : NM. NISHIMATSU			15.10.27	DRAWING NO. EDC-124783-30-00		
CHECKED : KN. ICHIKAWA			15.10.27	PART NO. 3560-24SR(30)		
DESIGNED : TS. ITO			15.10.27	CODE NO. CL235-0022-3-30		
DRAWN : AK. AKIYAMA			15.10.27	1/2		

Jul.1.2019 Copyright 2019 HIROSE ELECTRIC CO., LTD. All Rights Reserved.  
 In case of consideration for using Automotive equipment / device which demand high reliability, kindly contact our sales window correspondents.

4 FIG. 3 PACKING CONDITIONS



5 FIG. 4 REELING CONDITION FOR DELIVERY (SCALE:FREE)



- NOTES
- 4 PACKING FOR CONNECTOR SHALL BE AS SHOWN IN FIG.3
  - 5 REELING CONDITION FOR DELIVERY SHALL BE AS SHOWN IN FIG.4 (PER REEL : 500 PCS.)

<b>HRS</b>	DRAWING NO.	EDC-124783-30-00	2/2
	PART NO.	3560-24SR(30)	
	CODE NO.	CL235-0022-3-30	