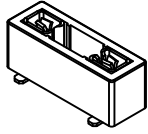
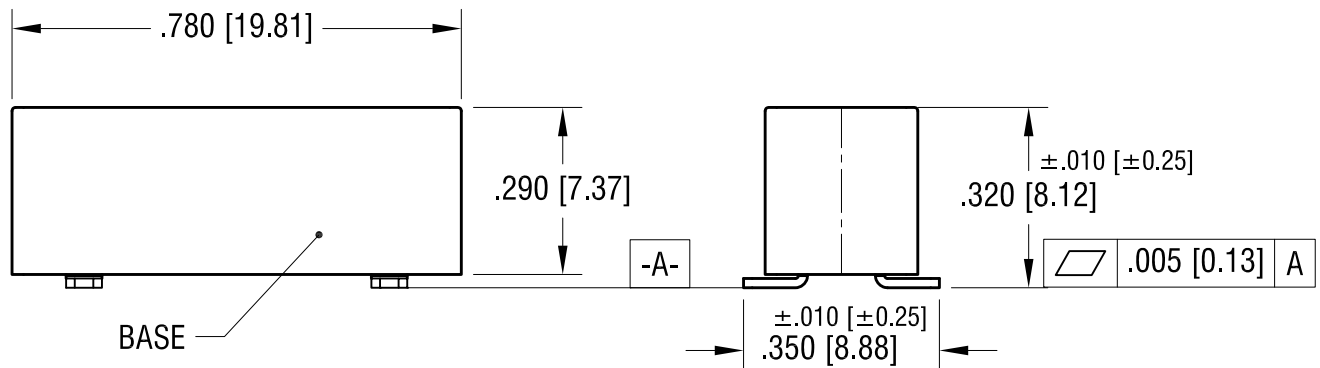
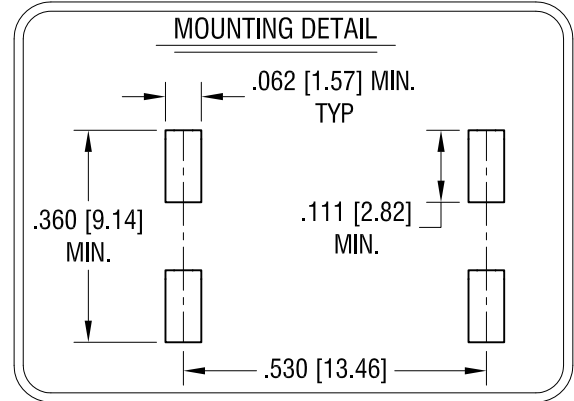
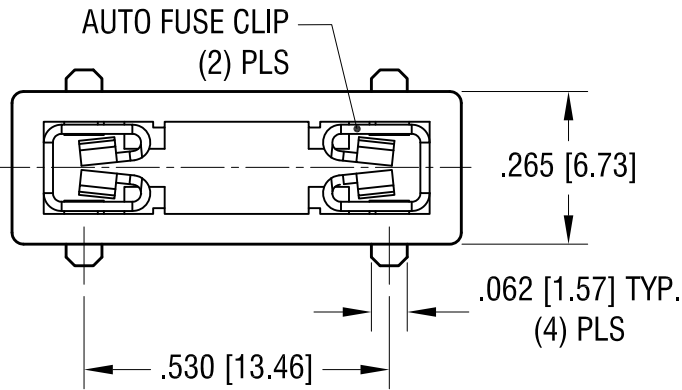


THIS DOCUMENT IS THE PROPERTY OF
KEYSTONE ELECTRONICS CORP. AND
SHALL NOT BE REPRODUCED, DISTRIBUTED
OR USED AS A BASIS FOR MANUFACTURE
WITHOUT PRIOR WRITTEN PERMISSION
FROM KEYSTONE ELECTRONICS CORP.



ACTUAL SIZE



NOTE:

1. BASE: MAT'L: HEAT RESISTANCE NYLON STANYL 46 OR EQUIVALENT
2. CLIP: MAT'L: .016 [0.40] TH'K BRASS, MATTE TIN PLATE
3. FUSE HOLDER SUPPLIED IN MSL-2 PACKAGING
4. FILE NUMBER: E354010

2.09.23	CHANGE AS PER ECN 23-018	E
3.13.15	CHANGE AS PER ECN 15-030	D
12.19.13	CHANGE AS PER ECN 13-115	C
6.17.10	CHANGE AS PER ECN 10-042	B
10.19.09	CHANGE AS PER ECN 09-150	A
DATE	DESCRIPTION	REV.

KEYSTONE ELECTRONICS CORP.			
www.keyelco.com • NEW HYDE PARK NY 11040 • Tel (516)328-7500			
PART NAME		SM AUTO-FUSE HOLDER	
MATERIAL		AS NOTED	
FINISH	AS NOTED	DRN BY	NT
		DATE	7.10.09
		APP'D	RH
		SCALE	3X
TOLERANCES	INCH [MM]	CODE	DWG NO.
DECIMAL	± .005 [± 0.13]	C	3587
ANGULAR	± 1°		
UNLESS OTHERWISE SPECIFIED			