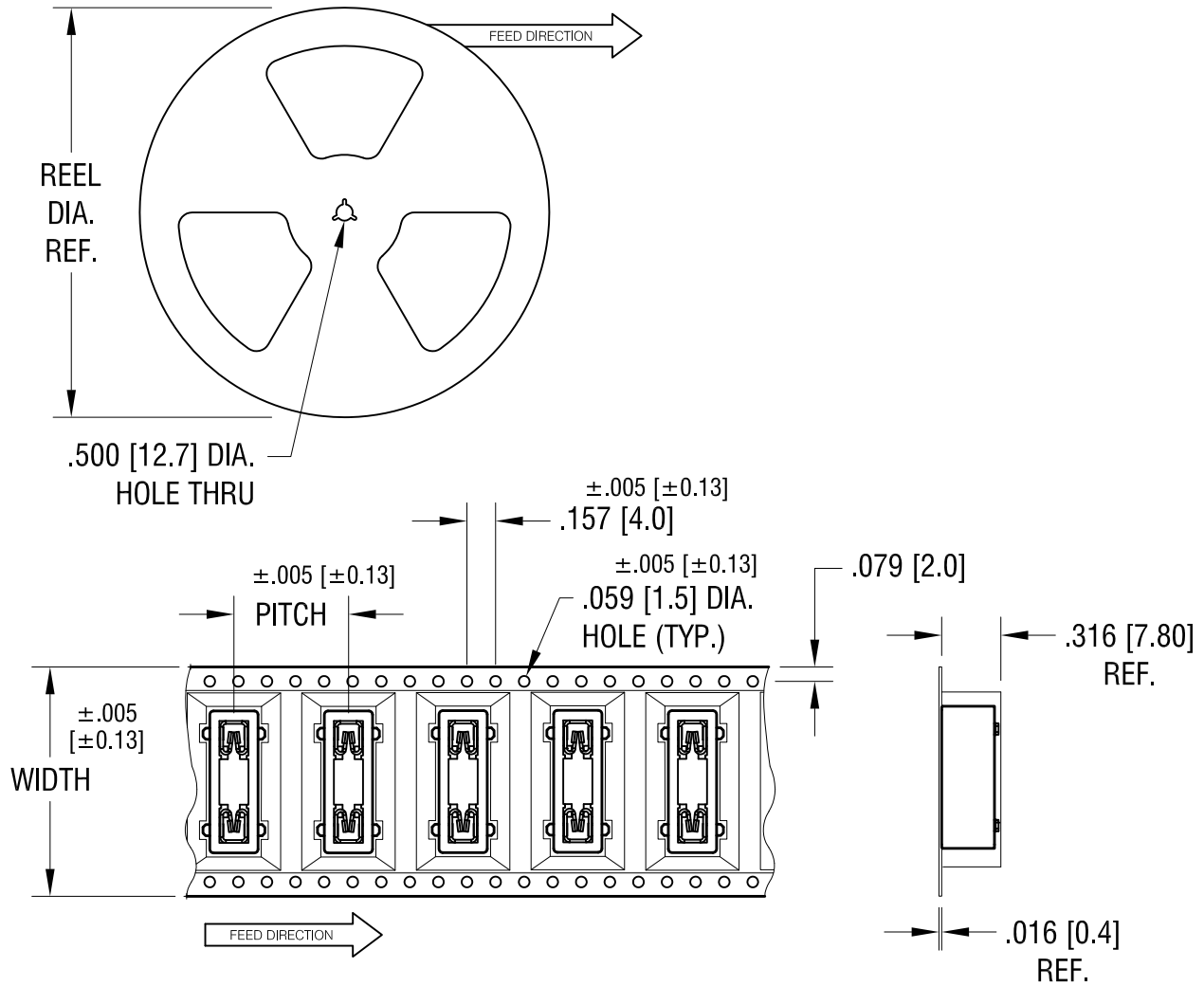


THIS DOCUMENT IS THE PROPERTY OF KEYSTONE ELECTRONICS CORP. AND SHALL NOT BE REPRODUCED, DISTRIBUTED OR USED AS A BASIS FOR MANUFACTURE WITHOUT PRIOR WRITTEN PERMISSION FROM KEYSTONE ELECTRONICS CORP.



**NOTES:**

**TAPE AND REEL SPECIFICATIONS:**

**1. TAPE:**

MAT'L - ALL CONDUCTIVE POLYSTYRENE CARRIER  
 ANSI/EIA-481 STANDARD  
 1.260 [32.0] WIDE; 0.630 [16.0] PITCH

**2. REEL:**

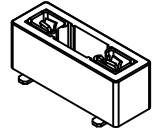
13.0 [330.2] DIA. 500 PIECES OF  
 PART NO. 3587 PER REEL.

<b>KEYSTONE ELECTRONICS CORP.</b>			
www.keyelco.com • ASTORIA, N.Y. 11105-2017 • Tel (718) 956-8900			
PART NAME			
SM AUTO-FUSE HOLDER ON TAPE			
MATERIAL			
AS NOTED			
FINISH		DRN BY	DATE
AS NOTED		NT	10.13.09
		APP'D	SCALE
		LN	X
TOLERANCES	INCH [MM]	CODE	DWG NO.
DECIMAL	± .015 [± 0.38]	C	<b>3587TR</b>
ANGULAR	± 1°		
UNLESS OTHERWISE SPECIFIED			

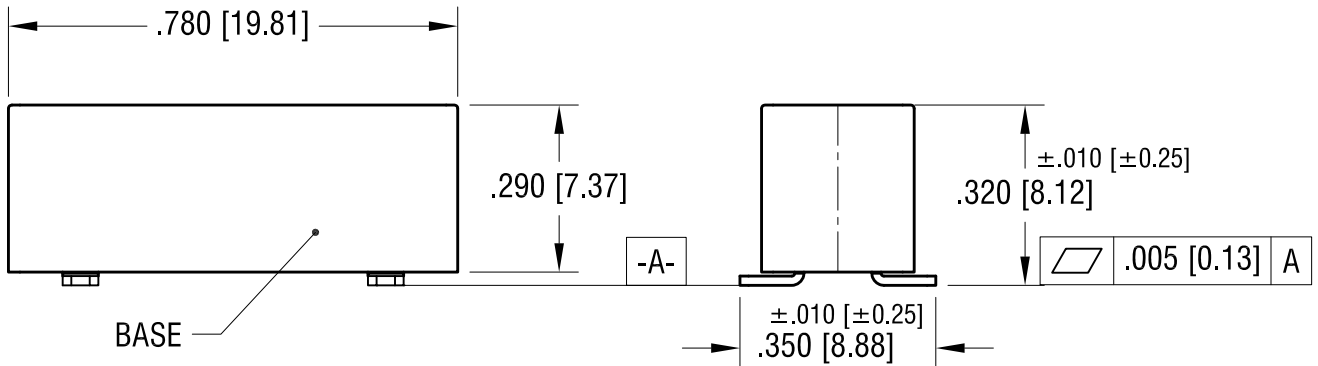
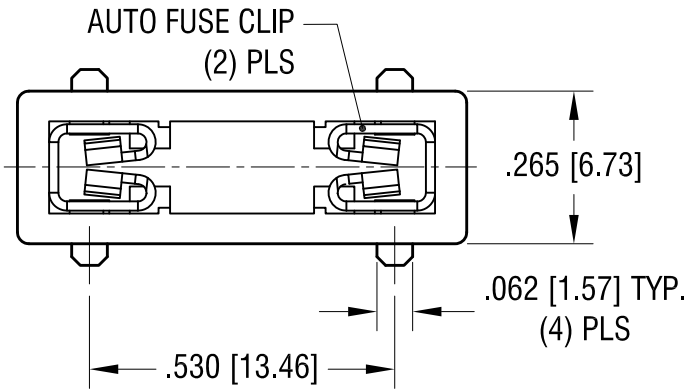
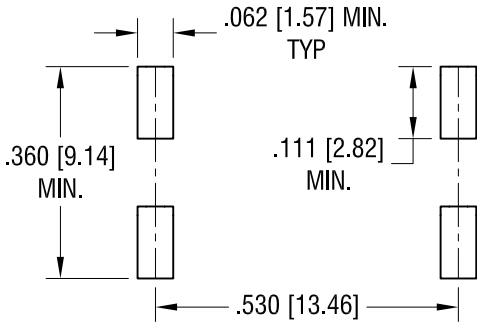
DATE	DESCRIPTION	REV.	

THIS DOCUMENT IS THE PROPERTY OF KEYSTONE ELECTRONICS CORP. AND SHALL NOT BE REPRODUCED, DISTRIBUTED OR USED AS A BASIS FOR MANUFACTURE WITHOUT PRIOR WRITTEN PERMISSION FROM KEYSTONE ELECTRONICS CORP.

**ACTUAL SIZE**



**MOUNTING DETAIL**



**NOTE:**

1. BASE: MAT'L:

MAT'L: HEAT RESISTANCE NYLON STANYL 46 OR EQUIVALENT

CLIP: MAT'L:  $.016 [0.40]$  TH'K BRASS, MATTE TIN PLATE

DATE	DESCRIPTION	REV.
3.13.15	CHANGE AS PER ECN 15-030	D
12.19.13	CHANGE AS PER ECN 13-115	C
6.17.10	CHANGE AS PER ECN 10-042	B
10.19.09	CHANGE AS PER ECN 09-150	A

<b>KEYSTONE ELECTRONICS CORP.</b>			
www.keyelco.com • ASTORIA, N.Y. 11105-2017 • Tel (718) 956-8900			
PART NAME		SM AUTO-FUSE HOLDER	
MATERIAL			
AS NOTED			
FINISH		DRN BY	DATE
AS NOTED		NT	7.10.09
		APP'D	SCALE
		LN	3X
TOLERANCES	INCH [MM]	CODE	DWG NO.
DECIMAL	$\pm .005 [\pm 0.13]$	C	<b>3587</b>
ANGULAR	$\pm 1^\circ$		
UNLESS OTHERWISE SPECIFIED			