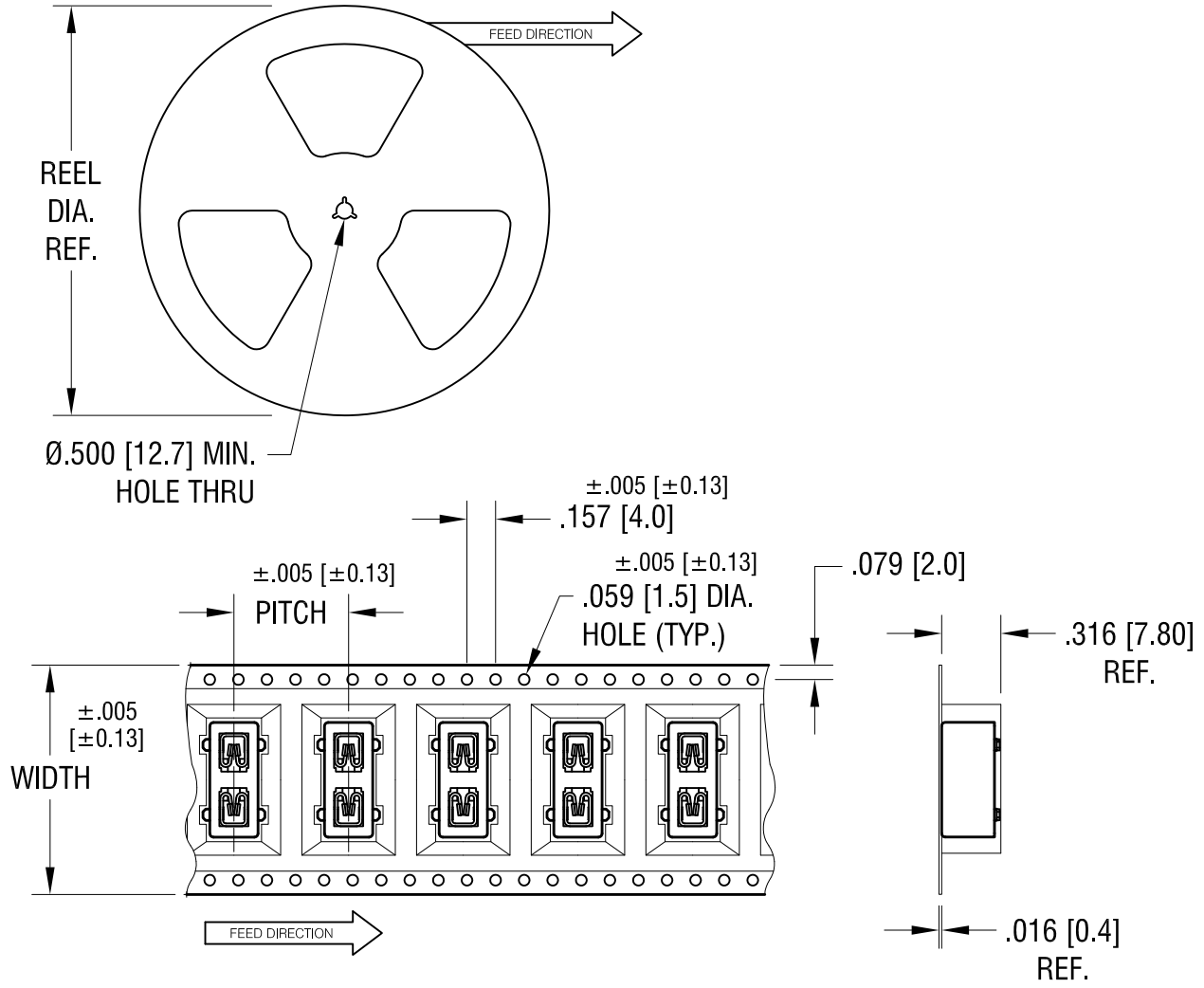


THIS DOCUMENT IS THE PROPERTY OF KEYSTONE ELECTRONICS CORP. AND SHALL NOT BE REPRODUCED, DISTRIBUTED OR USED AS A BASIS FOR MANUFACTURE WITHOUT PRIOR WRITTEN PERMISSION FROM KEYSTONE ELECTRONICS CORP.



**NOTES:**

**TAPE AND REEL SPECIFICATIONS:**

**1. TAPE:**

MAT'L - ALL CONDUCTIVE POLYSTYRENE CARRIER  
 ANSI/EIA-481 STANDARD  
 1.260 [32.0] WIDE; 0.630 [16.0] PITCH

**2. REEL:**

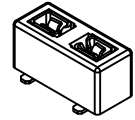
13.0 [330.2] DIA. 500 PIECES OF  
 PART NO. 3588 PER REEL.

<b>KEYSTONE ELECTRONICS CORP.</b>			
www.keyelco.com • NEW HYDE PARK, NY 11040 • Tel (516) 328-7500			
PART NAME			
SM MINI AUTO-FUSE HOLDER ON TAPE			
MATERIAL			
AS NOTED			
FINISH		DRN BY	DATE
AS NOTED		NT	10.13.09
		APP'D	SCALE
		LN	X
TOLERANCES	INCH	[MM]	CODE
DECIMAL	± .015	[± 0.38]	C
ANGULAR	± 1°		
UNLESS OTHERWISE SPECIFIED			DWG NO.
			<b>3588TR</b>

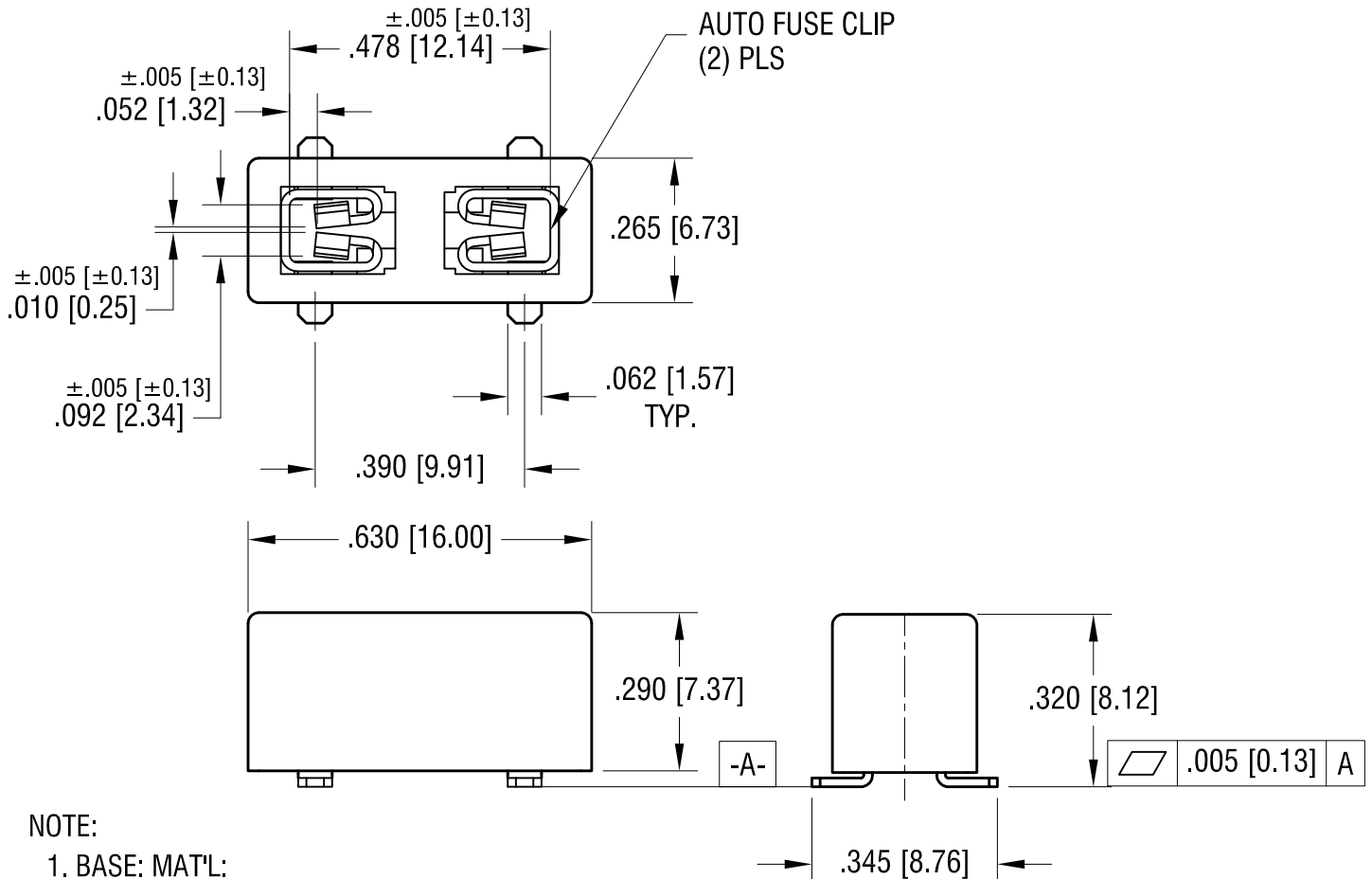
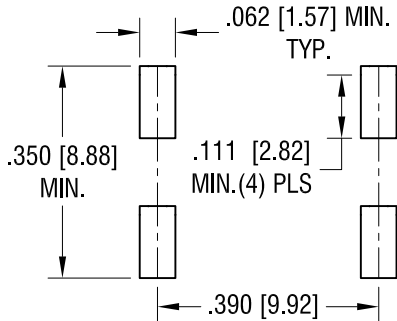
DATE	DESCRIPTION	REV.

THIS DOCUMENT IS THE PROPERTY OF  
KEYSTONE ELECTRONICS CORP. AND  
SHALL NOT BE REPRODUCED, DISTRIBUTED  
OR USED AS A BASIS FOR MANUFACTURE  
WITHOUT PRIOR WRITTEN PERMISSION  
FROM KEYSTONE ELECTRONICS CORP.

**ACTUAL SIZE**



**MOUNTING DETAIL**



**NOTE:**

- 1. BASE: MAT'L:  
MAT'L: HEAT RESISTANCE NYLON  
STANYL 46 OR EQUIVALENT
- CLIP: MAT'L: .016 [0.40] TH'K BRASS, CDA 260  
MATTE TIN PLATE

DATE	DESCRIPTION	REV.
6.27.16	CHANGE AS PER ECN 16-069	E
1.13.15	CHANGE AS PER ECN 15-006	D
12.19.13	CHANGE AS PER ECN 13-115	C
6.17.10	CHANGE AS PER ECN 10-042	B
10.19.09	CHANGE AS PER ECN 09-150	A

<b>KEYSTONE ELECTRONICS CORP.</b>			
www.keyelco.com • ASTORIA, N.Y. 11105-2017 • Tel (718) 956-8900			
PART NAME		SM MINI AUTO-FUSE HOLDER	
MATERIAL		AS NOTED	
FINISH	AS NOTED	DRN BY	NT
		DATE	5.06.09
		APP'D	LN
		SCALE	3X
TOLERANCES	INCH [MM]	CODE	DWG NO.
DECIMAL	± .010 [± 0.25]	C	<b>3588</b>
ANGULAR	± 1°		
UNLESS OTHERWISE SPECIFIED			