

Features

- Bushing mount
- Optional AR pin feature
- Plastic or metal shaft and bushings
- Wirewound
- Solder lugs or PC pins
- Sealable (Full body seal)
- Designed for use in HMI applications

■ RoHS compliant*

3590 - Precision Potentiometer

Electrical Characteristics¹

| | |
|---|---|
| Standard Resistance Range..... | 200 to 100 K ohms |
| Total Resistance Tolerance..... | ±5 % |
| Independent Linearity..... | ±0.25 % |
| Effective Electrical Angle..... | 3600 ° +10 °, -0 ° |
| Absolute Minimum Resistance..... | 1 ohm or 0.1 % maximum (whichever is greater) |
| Noise..... | 100 ohms ENR maximum |
| Dielectric Withstanding Voltage (MIL-STD-202, Method 301) Sea Level..... | 1,500 VAC minimum |
| Power Rating (Voltage Limited By Power Dissipation or 450 VAC, Whichever is Less) | |
| +40 °C..... | 2 watts |
| +125 °C..... | 0 watt |
| Insulation Resistance (500 VDC)..... | 1,000 megohms minimum |
| RPM (Operating)..... | 200 maximum |
| Resolution..... | See recommended part numbers |

Environmental Characteristics¹

| | |
|---|-----------------------------|
| Operating Temperature Range..... | -40 °C to +125 °C |
| Storage Temperature Range..... | -55 °C to +125 °C |
| Temperature Coefficient Over Storage Temperature Range ² | ±50 ppm/°C maximum/unit |
| Vibration..... | 15 G |
| Wiper Bounce..... | 0.1 millisecond maximum |
| Shock..... | 50 G |
| Wiper Bounce..... | 0.1 millisecond maximum |
| Load Life..... | 1,000 hours, 2 watts |
| Total Resistance Shift..... | ±2 % maximum |
| Rotational Life (No Load)..... | 1,000,000 shaft revolutions |
| Total Resistance Shift..... | ±5 % maximum |
| Moisture Resistance (MIL-STD-202, Method 103, Condition B) | |
| Total Resistance Shift..... | ±2 % maximum |
| IP Rating | |
| Sealed Versions (-3, -4, -7, and -8)..... | IP 65 |
| Unsealed Versions (-1 -2, -5, and -6)..... | IP 40 |
| Moisture Sensitivity Level..... | 1 |
| ESD Classification (HBM)..... | N/A |

Mechanical Characteristics¹

| | |
|--|--|
| Stop Strength..... | 45 N-cm (64 oz.-in.) minimum |
| Mechanical Angle..... | 3600 ° +10 °, -0 ° |
| Torque | |
| Starting & Running..... | 0.85 N-cm (1.2 oz.-in.) maximum (unsealed) 1.41 N-cm (2.0 oz.-in.) maximum (sealed) |
| Mounting..... | 55-80 N-cm (5-7 lb.-in.) (plastic) 90-113 N-cm (8-10 in.-lb.) (metal) |
| Shaft Runout..... | 0.13 mm (0.005 in.) T.I.R. |
| Lateral Runout..... | 0.20 mm (0.008 in.) T.I.R. |
| Shaft End Play..... | 0.25 mm (0.010 in.) T.I.R. |
| Shaft Radial Play..... | 0.13 mm (0.005 in.) T.I.R. |
| Pilot Diameter Runout..... | 0.08 mm (0.003 in.) T.I.R. |
| Backlash..... | 1.0 ° maximum |
| Weight..... | Approximately 19 G |
| Terminals..... | Solder lugs or PC pins |
| Soldering Condition | |
| Manual Soldering..... | 96.5Sn/3.0Ag/0.5Cu solid wire or no-clean rosin cored wire; 370 °C (700 °F) max. for 3 seconds |
| Wave Soldering..... | 96.5Sn/3.0Ag/0.5Cu solder with no-clean flux; 260 °C (500 °F) max. for 5 seconds |
| Wash processes..... | Not recommended |
| Marking..... | Manufacturer's name and part number, resistance value and tolerance, linearity tolerance, wiring diagram, and date code. |
| Ganging (Multiple Section Potentiometers)..... | 1 cup maximum |
| Hardware..... | One lockwasher and one mounting nut is shipped with each potentiometer. |

NOTE: For Anti-rotation pin add 91 after configuration dash number. Example: -2 becomes -291 to add AR pin.

¹ At room ambient: +25 °C nominal and 50 % relative humidity nominal, except as noted.

² Consult manufacturer for complete specification details for resistances below 1k ohms.



WARNING Cancer and Reproductive Harm
www.P65Warnings.ca.gov

*RoHS Directive 2015/863, Mar 31, 2015 and Annex.

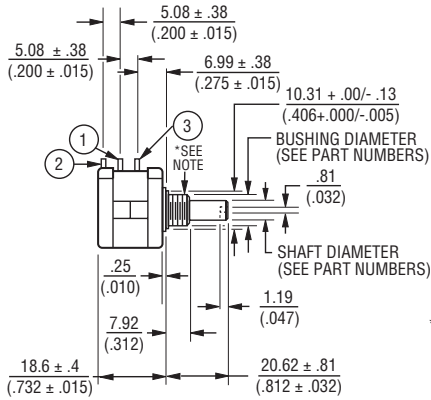
Specifications are subject to change without notice. Users should verify actual device performance in their specific applications. The products described herein and this document are subject to specific disclaimers as set forth on the last page of this document, and at www.bourns.com/legal/disclaimer.pdf.

3590 - Precision Potentiometer

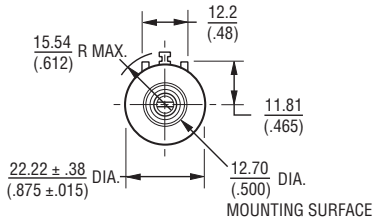


Product Dimensions

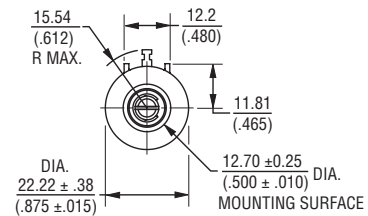
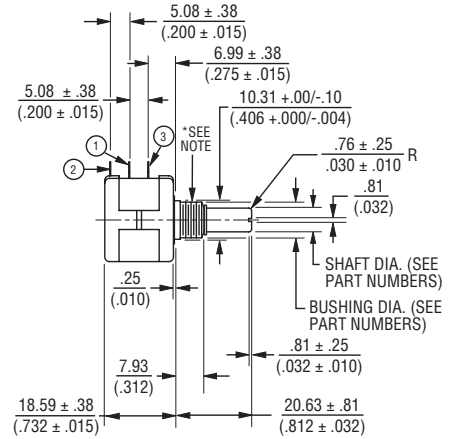
-1, -3, -5, -7 Configurations



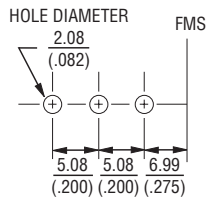
*BUSHING THREAD SPECIFICATIONS:
 -1, -2, -3, -4.....3/8-32 UNF
 -5, -6, -7, -8.....M9 x 0.75-7H



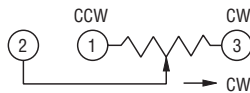
-2, -4, -6, -8 Configurations



Recommended PCB Layout



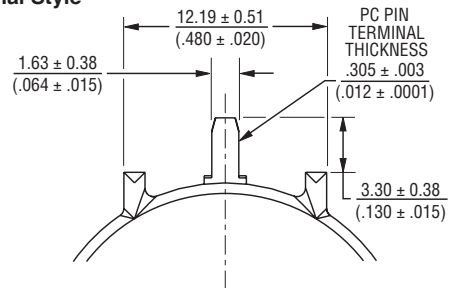
Schematic



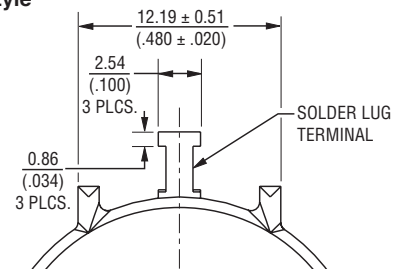
TOLERANCES: EXCEPT WHERE NOTED
 DECIMALS: XX ± .508, .XXX ± .127
 FRACTIONS: ±1/64
 DIMENSIONS: MM (IN.)

Terminal Styles

"P" Terminal Style



"S" Terminal Style



3590 - Precision Potentiometer

BOURNS®

Recommended Part Numbers

| (Printed Circuit) | (Solder Lug) | (Solder Lug) | Resistance (Ω) | Resolution (%) |
|-------------------|---------------------|--------------|----------------|----------------|
| 3590P-2-102L | 3590S-2-102L | 3590S-1-102L | 1,000 | .029 |
| 3590P-2-202L | 3590S-2-202L | 3590S-1-202L | 2,000 | .023 |
| 3590P-2-502L | 3590S-2-502L | 3590S-1-502L | 5,000 | .025 |
| 3590P-2-103L | 3590S-2-103L | 3590S-1-103L | 10,000 | .020 |
| 3590P-2-203L | 3590S-2-203L | 3590S-1-203L | 20,000 | .019 |
| 3590P-2-503L | 3590S-2-503L | 3590S-1-503L | 50,000 | .013 |
| 3590P-2-104L | 3590S-2-104L | 3590S-1-104L | 100,000 | .009 |

BOLDFACE LISTINGS ARE IN STOCK AND READILY AVAILABLE THROUGH DISTRIBUTION. FOR OTHER OPTIONS CONSULT FACTORY.

ROHS IDENTIFIER:
L = COMPLIANT

Panel Thickness Dimensions

(For Bushing Mount Only)



Anti-rotation pin hole is shown at six o'clock position for reference only. The actual location is determined by the customer's application. Refer to the front view of the potentiometer to see the location of the optional A/R pin.

Panel thickness and hole diameters are recommended for best fit. However, customers may adjust the dimensions to suit their specific application.

Shaft & Bushing Configurations

(Bushing - DxL, Shaft - D):

- (-1) Plastic Bushing (3/8 " x 5/16 ") and Shaft (.2480 + .001, - .002)
- (-2) **Metal Bushing (3/8 " x 5/16 ") and Shaft (.2497 + .0000, - .0009)**
- (-3) Sealed, Plastic Bushing (3/8 " x 5/16 ") and Shaft (.2480 + .001, - .002)
- (-4) Sealed, Metal Bushing (3/8 " x 5/16 ") and Shaft (.2497 + .0000, - .0009)
- (-5) Metric, Plastic Bushing (9 mm x 7.94 mm) and Shaft (6 mm + 0, - .076 mm)
- (-6) Metric, Metal Bushing (9 mm x 7.94 mm) and Shaft (6 mm + 0, - .023 mm)
- (-7) Metric, Sealed, Plastic Bushing (9 mm x 7.94 mm) and Shaft (6 mm + 0, - .076 mm)
- (-8) Metric, Sealed, Metal Bushing (9 mm x 7.94 mm) and Shaft (6 mm + 0, - .023 mm)

REV. 12/20

Specifications are subject to change without notice.

Users should verify actual device performance in their specific applications.

The products described herein and this document are subject to specific disclaimers as set forth on the last page of this document, and at www.bourns.com/legal/disclaimer.pdf.