

## Description

Single pole thermal-magnetic circuit breaker with tease-free, trip-free, snap action mechanism and two button operation (M-type TM CBE to EN 60934). Designed for plug-in mounting with E-T-A sockets 17-P10-Si, 23-P10-Si, 63-P10-Si; or panel mounting using E-T-A clips. Featuring an unprotected shunt tap terminal and optional auxiliary contacts. Type 3900 offers lower internal resistance values and is fitted as standard with auxiliary contacts and an intermediate reset position in which all contacts are isolated. Approved to CBE standard EN 60934 (IEC 60934).

## Typical applications

Process control systems, instrumentation, communications systems, rail vehicles.

## Ordering information

### Type No.

**3600** standard version with shunt tap terminal -3  
**3900** low-resistance version

### Terminal design

**P10** blade terminals 6.3-0.8 (QC .250)

**Auxiliary contacts** (3900: intermediate position as standard)  
**Si** with blade terminals 6.3-08, one each NO/NC,

### Current ratings

**0.05...16 A** (type 3600)

**0.05...10 A** (type 3900)

**3600 - P10 - Si - 10 A** ordering example

The exact part number required can be built up from the table of choices shown above. Ordering references for optional features should be omitted if not required.

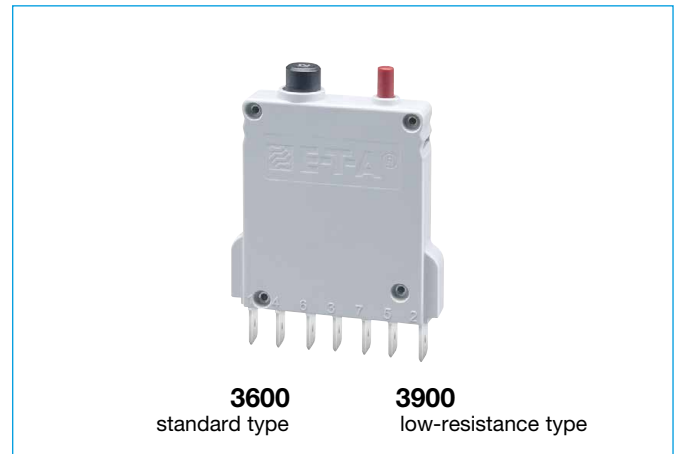
Please be informed that we have minimum ordering quantities to be observed.

## Preferred types

Preferred types	Standard current ratings (A)						
	0.5	1	2	4	8	10	16
3600-P10-Si-	x	x	x	x	x	x	x
3900-P10-Si-	x	x	x	x			

## Standard current ratings and typical internal resistance values

Current ratings (A)	Internal resistance (Ω)		Current ratings (A)	Internal resistance (Ω)	
	3600	3900		3600	3900
0.05	447	211	3	0.19	0.054
0.1	131	48	4	0.090	0.035
0.2	40	12.4	5	0.061	0.025
0.3	19.3	5.4	6	0.041	≤ 0.02
0.4	10.4	3.1	7	0.034	≤ 0.02
0.5	7.1	2.0	8	≤ 0.02	≤ 0.02
0.6	4.3	1.32	10	≤ 0.02	≤ 0.02
0.8	2.5	0.76	12	≤ 0.02	
1	1.67	0.49	14	≤ 0.02	
1.5	0.61	0.21	15	≤ 0.02	
2	0.38	0.101	16	≤ 0.02	
2.5	0.24	0.078			

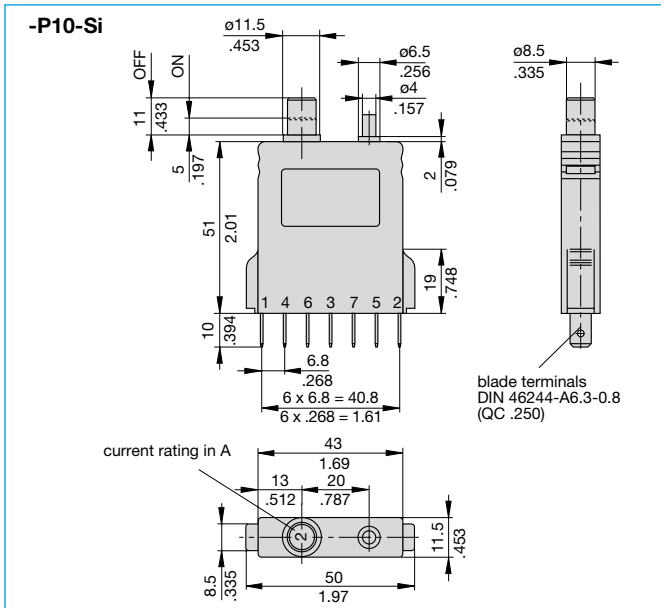


## Technical data

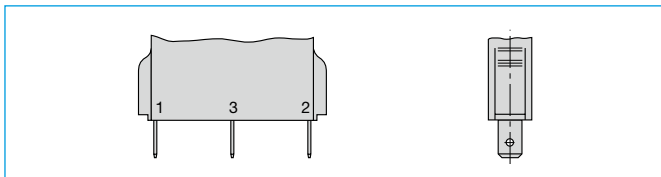
For further details please see: [http://www.e-t-a.de/ti\\_e](http://www.e-t-a.de/ti_e)

Voltage rating	AC 240 V, 50/60 Hz; DC 65 V (UL: AC 250 V; DC 65 V)	
Current rating range	3600: 0.05...16 A 3900: 0.05...10 A	
Auxiliary circuit	1 A, AC 240 V / DC 65 V min. 10 V/10 mA	
Typical life	5,000 operations at 1 x I <sub>N</sub> , inductive 5,000 operations at 2 x I <sub>N</sub> , resistive	
Ambient temperature	-30...+60 °C (-22...+140 °F)	
Insulation co-ordination (IEC 60664 and 60664 A)	rated impulse withstand voltage 2.5 kV	pollution degree 2 reinforced insulation in operating area
Dielectric strength (IEC 60664 and 60664A)	test voltage operating area main/aux. circuit aux. circuit 4-5/6-7	AC 3,000 V AC 1,500 V AC 840 V
Insulation resistance	>100 MΩ (DC 500 V)	
Interrupting capacity I <sub>cn</sub>	3600 0.05...0.8 A 1...2 A 2.5...16 A	3900 0.05...0.2 A self-limiting 200 A 400 A
Interrupting capacity (UL 1077)	I <sub>N</sub> 0.05...16 A type 3600: 0.05...16 A	U <sub>N</sub> AC 250 V DC 80 V 1,000 A 1,000 A
Degree of protection (IEC 60529/DIN 40050)	operating area IP40 terminal area IP00	
Vibration	5 g (57-500 Hz), ± 0.38 mm (10-57 Hz) to IEC 60068-2-6, test Fc 10 frequency cycles/axis	
Shock	25 g (11 ms) to IEC 60068-2-27, test Ea	
Corrosion	96 hours at 5 % salt mist to IEC 60068-2-11, test Ka	
Humidity	240 hours at 95 % RH to IEC 60068-2-78, test Cab	
Mass	approx. 45 g	

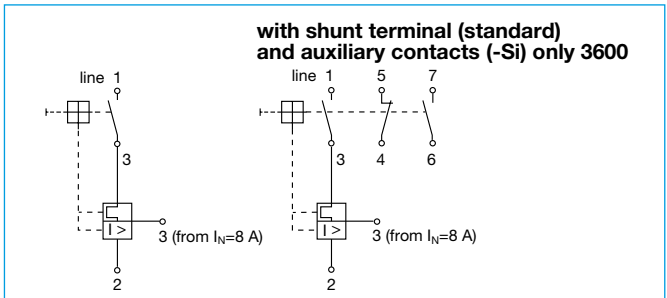
## Dimensions



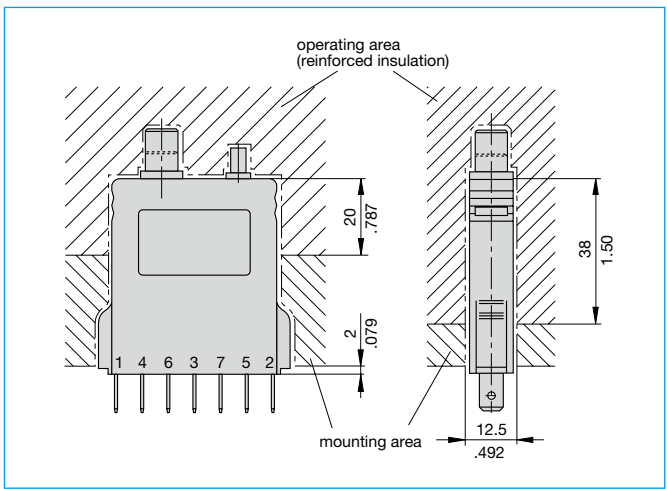
## Terminal design -P10



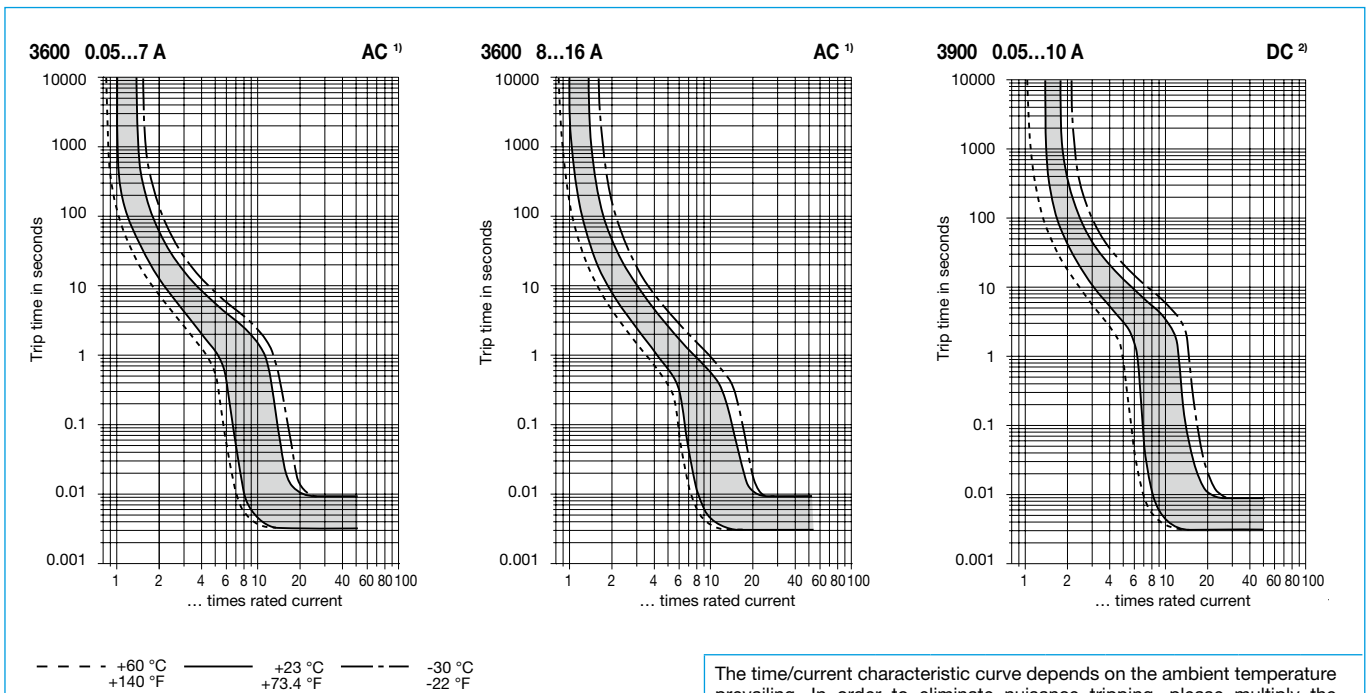
## Internal connection diagrams



## Installation drawing



## Typical time/current characteristics



The time/current characteristic curve depends on the ambient temperature prevailing. In order to eliminate nuisance tripping, please multiply the circuit breaker current ratings by the derating factor shown below. See also section Technical information.

Ambient temp. °F	-22	-4	+14	+32	+73.4	+104	+122	+140
°C	-30	-20	-10	0	+23	+40	+50	+60
Derating factor	0.76	0.79	0.83	0.88	1	1.08	1.16	1.24

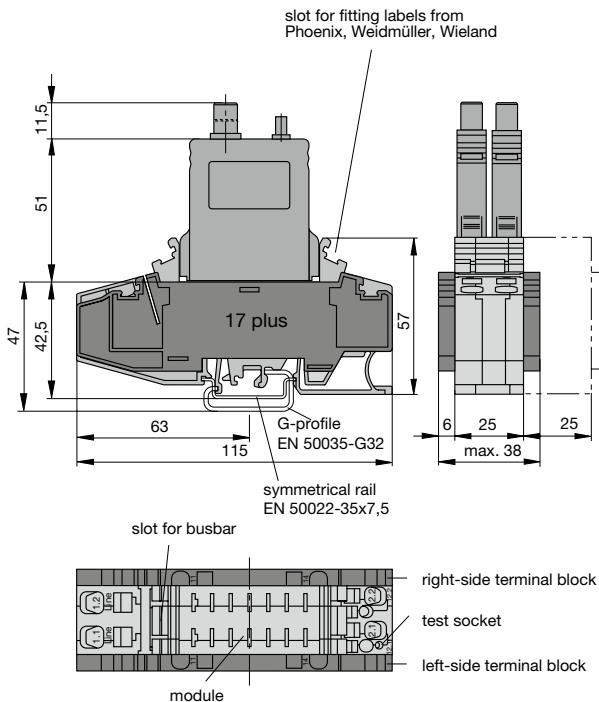
This is a metric design and millimeter dimensions take precedence ( $\frac{\text{mm}}{\text{inch}}$ )

## Accessories

**Power-D-Box with sockets pre-wired 19BGT2 2U**  
for 18, 24 or 30 circuits.  
For technical data see product group Power Distribution Systems.



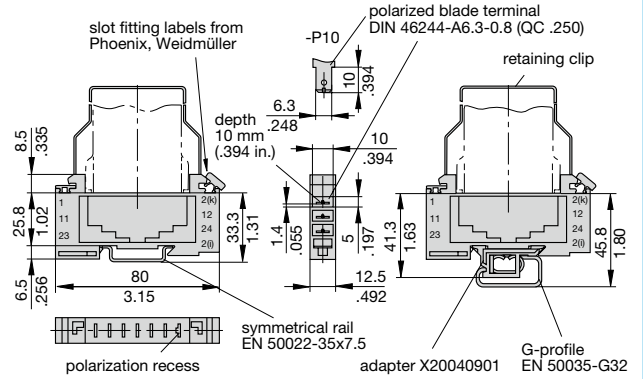
**Module 17plus**  
For technical data see section Power Distribution Systems



### Sockets

**17-P10-Si**  
(up to 16 A max. load)  
Retaining clip Y 300 581 11 to special order.

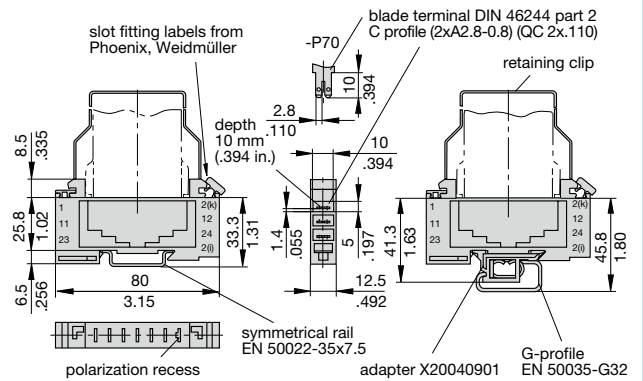
**17-P10-Si-20025**  
mounted with adapter  
Retaining clip Y 300 581 11 to special order.



### Sockets

**17-P70-Si**  
(up to 16 A max. load)  
Retaining clip Y 300 581 11 to special order.

**17-P70-Si-20025**  
mounted with adapter  
Retaining clip Y 300 581 11 to special order.

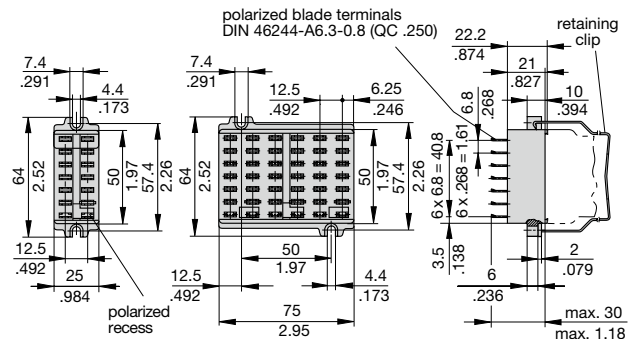


### Sockets

**23-P10-Si**  
(up to 16 A max. load)  
Retaining clip Y 300 581 03 to special order.

**63-P10-Si**

Retaining clip Y 300 581 03 to special order.



## Approvals

Authority	Standard	Voltage ratings	Current ratings
<b>3600:</b>			
VDE	IEC/EN 60934	AC 240 V DC 65 V	0.05...16 A 0.05...16 A
UL	UL 1077	AC 250 V DC 80 V	0.05...16 A 0.05...16 A
CSA	C22.2 No. 235	AC 250 V DC 80 V	0.05...16 A 0.05...16 A
<b>3900:</b>			
VDE	IEC/EN 60934	AC 240 V DC 65 V	0.05...10 A 0.05...10 A