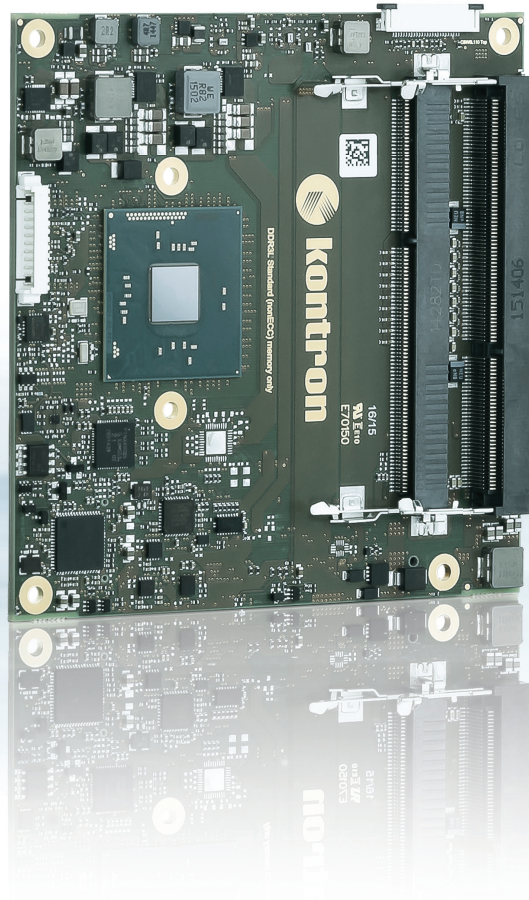


COMe-cBW6



COM Express® COMPACT TYPE 6 WITH Intel® Atom™ / Pentium® / Celeron® PROCESSOR N3000 SERIES

- ▶ COM Express® compact pin-out type 6 Computer-on-Module with Intel® Atom™ x5-E8000 / Pentium® / Celeron® Processor N3000 series
- ▶ up to 8 GByte DDR3L 1600 Memory (2 SODIMM Socket)
- ▶ high speed Interface 2x SATA3 4x USB 3.0/2.0 , +4x USB 2.0

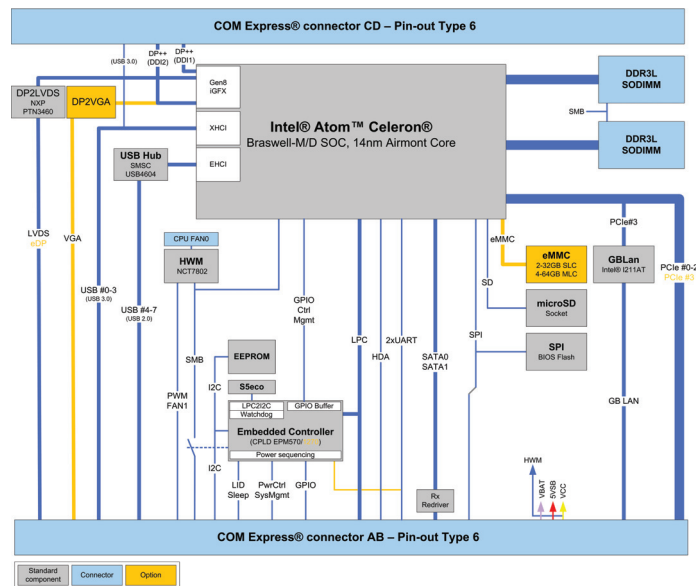
POSSIBILITIES START HERE



TECHNICAL INFORMATION

| | |
|----------------------------|--|
| COMPLIANCE | COM Express® Compact Pin-out Type 6 |
| DIMENSIONS (H x W x D) | 95 x 95 mm |
| CPU (SoC) | Intel® Pentium® N3710 (4x 1.60 GHz/2.56 GHz, 6 W) Intel® Celeron® N3160 (4x 1.60 GHz/2.24 GHz, 6 W) Intel® Celeron® N3060 (4x 1.60 GHz/2.48 GHz, 6 W) Intel® Celeron® N3010 (4x 1.04 GHz/2.24 GHz, 4 W) Intel® Atom™ Processor x5-E8000 (4x 1.04 GHz, 5 W) |
| CHIPSET | Integrated SoC |
| MAIN MEMORY | 2x SODIMM for DDR3L-1333/1600 (non ECC) up to 2x 4 GByte, 8 GByte total |
| GRAPHICS CONTROLLER | Intel® HD® Graphics |
| ETHERNET CONTROLLER | Intel® I211AT |
| ETHERNET | 10/100/1000 MBit Ethernet |
| HARD DISK | 2x SATA3 6Gb/s |
| FLASH ONBOARD | Up to 32 GByte SLC eMMC (option) |
| PCI Express® SUPPORT | 3x PCIe2.0 on PCIe lane 0-2 (3 controllers, 3 x1) Option: 4 Lanes if no LAN (4 controllers, 4 x1, 1 x4) |
| PANEL SIGNAL | 3 independent Displays DDI1: DP++, DDI2: DP++, LVDS: Dual Channel 18/24bit, VGA optional on DDI2 |
| USB | 4x USB 3.0/2.0, + 4x USB 2.0 |
| SERIAL | 2x serial interface (RX/TX only) |
| AUDIO | Intel® High Definition Audio |
| COMMON FEATURES | SPI, LPC, SMB, Fast I ² C, Staged Watchdog, RTC, MARS |
| BIOS | AMI AptioV UEFI |
| HUMIDITY | 93 % relative Humidity at 40° C, non-condensing (according to IEC 60068-2-78) |
| OPTIONS | 1x PCIe x1 additional w/o onboard LAN, onboard SSD (32 GByte eMMC), eDP instead of LVDS, VGA instead DDI2 |
| POWER MANAGEMENT | ACPI 4.0, S5 Eco |
| POWER SUPPLY | 8.5 V – 20 V Wide Range ATX, Single Supply Power |
| SPECIAL FEATURES | POSCAP capacitors, LVDS/DP Multiplexer, microSD card socket* |
| TEMPERATURE SPECIFICATIONS | Commercial temperature: 0° C to +60° C operating, -30° C to +85° C non-operating |
| OPERATING SYSTEMS | Win7, Win8.1, WES8, Win 10 (all 64Bit), Linux |
| SUPPORTED MODULES | COMe-cBW6 36020-xxxx-17-x, 36020-xxxx-11-x, commercial temperature |

See Manual for more details



CORPORATE OFFICES

EUROPE, MIDDLE EAST & AFRICA

Lise-Meitner-Str. 3-5
86156 Augsburg
Germany
Tel.: +49 821 4086 0
Fax: +49 821 4086 111
info@kontron.com

NORTH AMERICA

14118 Stowe Drive
Poway, CA 92064-7147
USA
Tel.: +1 888 294 4558
Fax: +1 858 677 0898
info@us.kontron.com

ASIA PACIFIC

1-2F, 10 Building, No. 8 Liangshuihe 2nd Street,
Economical & Technological Development Zone,
Beijing, 100176, P.R.China
Tel.: +86 10 63751188
Fax: +86 10 83682438
info@kontron.cn