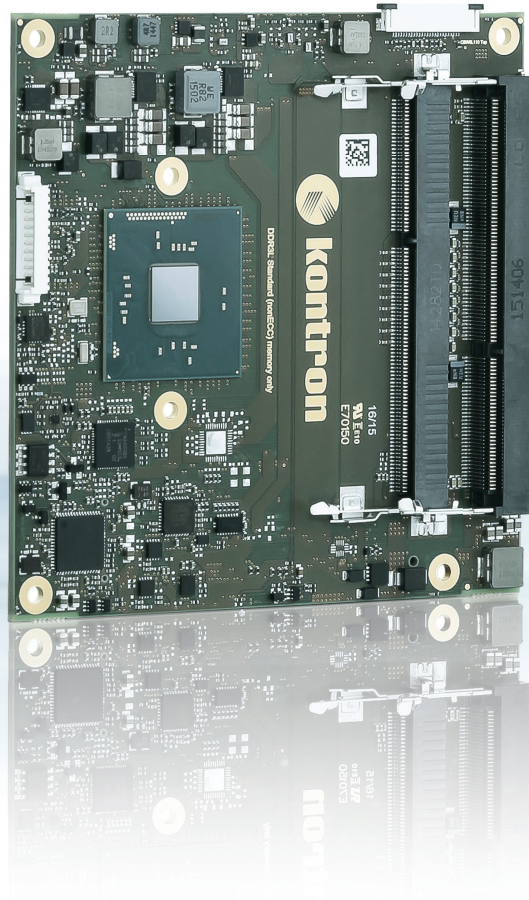


COMe-cBW6



COM Express® COMPACT TYPE 6 WITH Intel® Atom™ / Pentium® / Celeron® PROCESSOR N3000 SERIES

- ▶ COM Express® compact pin-out type 6 Computer-on-Module with Intel® Atom™ x5-E8000 / Pentium® / Celeron® Processor N3000 series
- ▶ up to 8 GByte DDR3L 1600 Memory (2 SODIMM Socket)
- ▶ high speed Interface 2x SATA3 4x USB 3.0/2.0 , +4x USB 2.0

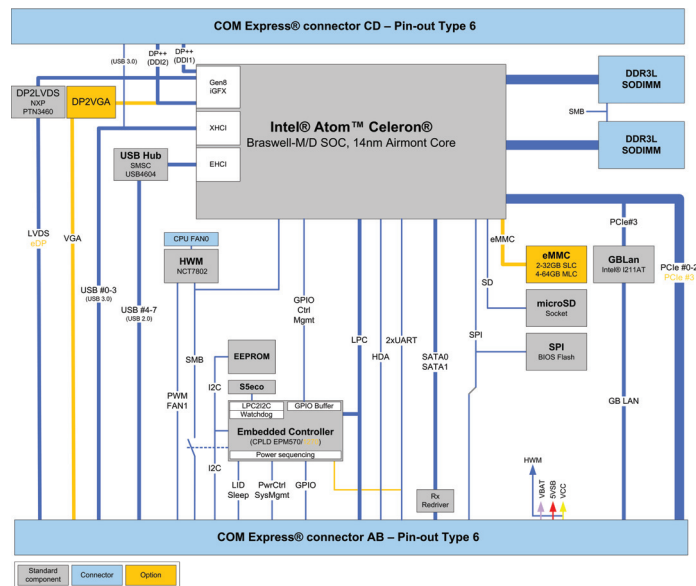
POSSIBILITIES START HERE



TECHNICAL INFORMATION

COMPLIANCE	COM Express® Compact Pin-out Type 6
DIMENSIONS (H x W x D)	95 x 95 mm
CPU (SoC)	Intel® Pentium® N3710 (4x 1.60 GHz/2.56 GHz, 6 W) Intel® Celeron® N3160 (4x 1.60 GHz/2.24 GHz, 6 W) Intel® Celeron® N3060 (4x 1.60 GHz/2.48 GHz, 6 W) Intel® Celeron® N3010 (4x 1.04 GHz/2.24 GHz, 4 W) Intel® Atom™ Processor x5-E8000 (4x 1.04 GHz, 5 W)
CHIPSET	Integrated SoC
MAIN MEMORY	2x SODIMM for DDR3L-1333/1600 (non ECC) up to 2x 4 GByte, 8 GByte total
GRAPHICS CONTROLLER	Intel® HD® Graphics
ETHERNET CONTROLLER	Intel® I211AT
ETHERNET	10/100/1000 MBit Ethernet
HARD DISK	2x SATA3 6Gb/s
FLASH ONBOARD	Up to 32 GByte SLC eMMC (option)
PCI Express® SUPPORT	3x PCIe2.0 on PCIe lane 0-2 (3 controllers, 3 x1) Option: 4 Lanes if no LAN (4 controllers, 4 x1, 1 x4)
PANEL SIGNAL	3 independent Displays DDI1: DP++, DDI2: DP++, LVDS: Dual Channel 18/24bit, VGA optional on DDI2
USB	4x USB 3.0/2.0, + 4x USB 2.0
SERIAL	2x serial interface (RX/TX only)
AUDIO	Intel® High Definition Audio
COMMON FEATURES	SPI, LPC, SMB, Fast I ² C, Staged Watchdog, RTC, MARS
BIOS	AMI AptioV UEFI
HUMIDITY	93 % relative Humidity at 40° C, non-condensing (according to IEC 60068-2-78)
OPTIONS	1x PCIe x1 additional w/o onboard LAN, onboard SSD (32 GByte eMMC), eDP instead of LVDS, VGA instead DDI2
POWER MANAGEMENT	ACPI 4.0, S5 Eco
POWER SUPPLY	8.5 V – 20 V Wide Range ATX, Single Supply Power
SPECIAL FEATURES	POSCAP capacitors, LVDS/DP Multiplexer, microSD card socket*
TEMPERATURE SPECIFICATIONS	Commercial temperature: 0° C to +60° C operating, -30° C to +85° C non-operating
OPERATING SYSTEMS	Win7, Win8.1, WES8, Win 10 (all 64Bit), Linux
SUPPORTED MODULES	COME-cBW6 36020-xxxx-17-x, 36020-xxxx-11-x, commercial temperature

See Manual for more details



CORPORATE OFFICES

EUROPE, MIDDLE EAST & AFRICA

Lise-Meitner-Str. 3-5
86156 Augsburg
Germany
Tel.: +49 821 4086 0
Fax: +49 821 4086 111
info@kontron.com

NORTH AMERICA

14118 Stowe Drive
Poway, CA 92064-7147
USA
Tel.: +1 888 294 4558
Fax: +1 858 677 0898
info@us.kontron.com

ASIA PACIFIC

1-2F, 10 Building, No. 8 Liangshuihe 2nd Street,
Economical & Technological Development Zone,
Beijing, 100176, P.R.China
Tel.: +86 10 63751188
Fax: +86 10 83682438
info@kontron.cn