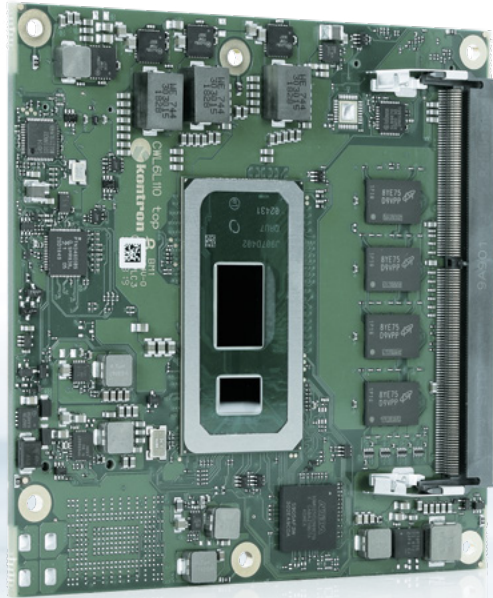


# COMe-cWL6 (E2S)

---



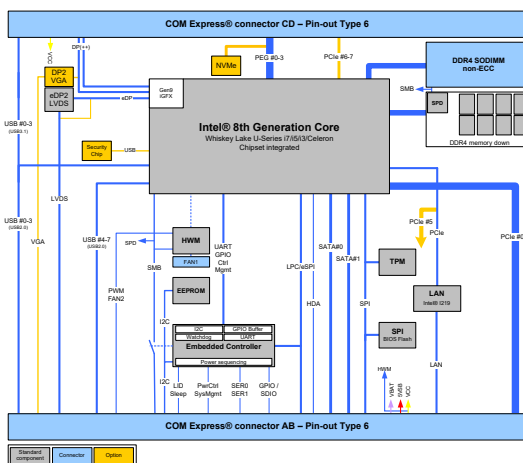
## COM Express® Compact Type 6 with 8th Generation Intel® Core™ / Celeron® Processors

- ▶ Up to 48 GByte DDR4 memory (16 GByte DDR4 memory down)
- ▶ Optional NVMe SSD onboard
- ▶ Industrial grade versions
- ▶ Kontron APPROTECT security solution based on Wibu-Systems CodeMeter®

POSSIBILITIES START HERE

## ▶ TECHNICAL INFORMATION

<b>COMPLIANCE</b>	COM Express® Compact Pin-out Type 6
<b>DIMENSIONS (H X W)</b>	95 x 95 mm
<b>CPU</b>	Intel® Core™ i7-8665UE, 4x 1.7 GHz, GT2, 15 W Intel® Core™ i5-8365UE, 4x 1.6 GHz, GT2, 15 W Intel® Core™ i3-8145UE, 2x 2.2 GHz, GT2, 15 W Intel® Celeron® 4305UE, 2x 2.0 GHz, GT1, 15 W
<b>CHIPSET</b>	Integrated SoC
<b>MAIN MEMORY</b>	1x DDR4 SO-DIMM up to 32 GByte, 2nd channel DDR4 memory down up to 16 GByte
<b>GRAPHICS CONTROLLER</b>	Intel® UHD Graphics 620 (Celeron® 4305UE: Intel® UHD Graphics 610)
<b>ETHERNET CONTROLLER</b>	Intel® I219LM
<b>ETHERNET</b>	10/100/1000 MBit Ethernet
<b>HARD DISK</b>	2x SATA 6Gb/s
<b>FLASH ONBOARD</b>	Up to 1 TByte NVMe SSD (on request)
<b>PCI EXPRESS® SUPPORT</b>	5x PCIe 3.0 (On request: 6x without Ethernet, up to 8x without Ethernet & SATA) 4x PCIe 3.0 on PEG Lanes #0-3
<b>PANEL SIGNAL</b>	DDI1: DP++, DDI2: DP++, DDI3: -, VGA: -, LVDS: Dual Channel 18/24 bit
<b>USB</b>	4x USB 3.1 (incl. USB 2.0) + 4x USB 2.0
<b>SERIAL</b>	2x serial interface (RX/TX only)
<b>AUDIO</b>	High Definition Audio interface
<b>COMMON FEATURES</b>	SPI, LPC, SMB, Fast I <sup>2</sup> C, Staged Watchdog, RTC, support of Intel® Optane™ memory technology via PCIe
<b>BIOS</b>	AMI Aptio V
<b>HUMIDITY</b>	93 % relative Humidity at 40 °C, non-condensing (according to IEC 60068-2-78)
<b>FEATURES ON REQUEST</b>	vPRO (AMT/TXT/AES Support), eDP instead of LVDS, VGA, up to 3x PCIe x1 additional w/o onboard LAN & SATA, NVMe SSD, Security Chip
<b>POWER MANAGEMENT</b>	ACPI 6.0
<b>POWER SUPPLY</b>	8.5 V – 20 V Wide Range, Single Supply Power
<b>SPECIAL FEATURES</b>	POSCAP capacitors, Trusted Platform Module TPM 2.0
<b>OPERATING SYSTEM</b>	Windows®10, Linux, VxWorks
<b>TEMPERATURE</b>	Commercial temperature: 0 °C to +60 °C operating, -30 °C to +85 °C non-operating Extended temperature: -25 °C to +75 °C operating, -30 °C to +85 °C non-operating Industrial temperature: -40 °C to +85 °C operating, -40 °C to +85 °C non-operating
<b>SUPPORTED MODULES</b>	COMe-cWL6 (E25) xx-xxxxxx



## ▶ Global Headquarters

### Kontron S&T AG

Lise-Meitner-Str. 3-5  
 86156 Augsburg, Germany  
 Tel.: + 49 821 4086 0  
 Fax: + 49 821 4086 111  
[info@kontron.com](mailto:info@kontron.com)  
[www.kontron.com](http://www.kontron.com)