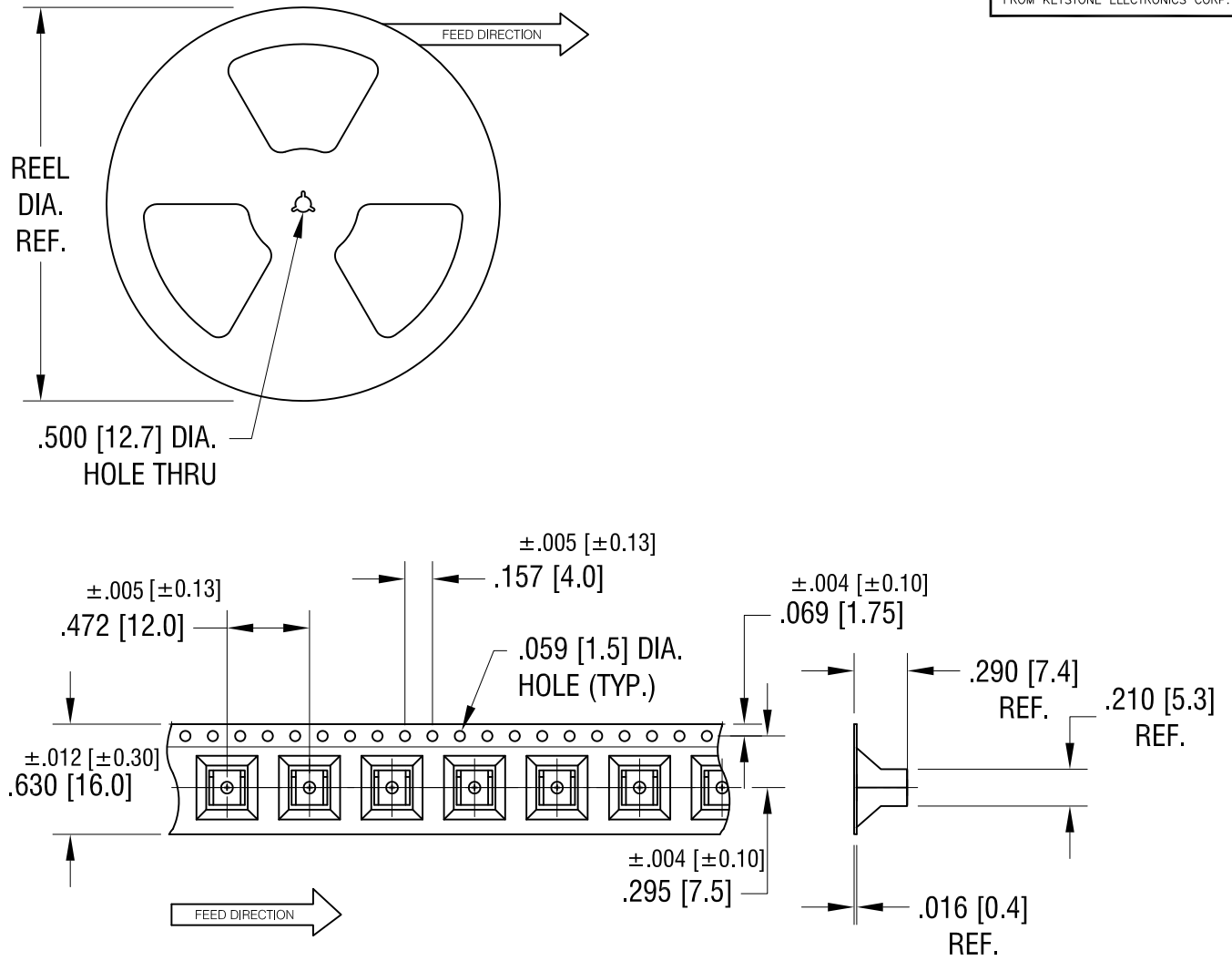


THIS DOCUMENT IS THE PROPERTY OF
KEYSTONE ELECTRONICS CORP. AND
SHALL NOT BE REPRODUCED, DISTRIBUTED
OR USED AS A BASIS FOR MANUFACTURE
WITHOUT PRIOR WRITTEN PERMISSION
FROM KEYSTONE ELECTRONICS CORP.



NOTES:

TAPE AND REEL SPECIFICATIONS:

1. TAPE:

MAT'L - ALL CONDUCTIVE POLYSTYRENE CARRIER
ANSI/EIA-481 STANDARD
.630 [16.0] WIDE; .472 [12.0] PITCH

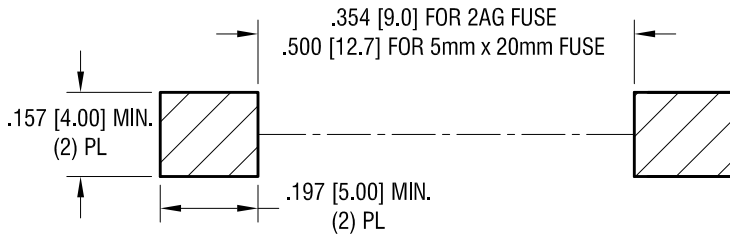
2. REEL:

13.0 [330.2] DIA. 700 PIECES OF
PART NO. 3622 PER REEL.

KEYSTONE ELECTRONICS CORP.			
www.keyelco.com • ASTORIA, N.Y. 11105-2017 • Tel (718) 956-8900			
PART NAME			
2AG/5mm SURFACE MOUNT FUSE, ON TAPE			
MATERIAL			
AS NOTED			
FINISH		DRN BY	DATE
AS NOTED		NT	3.31.15
		APP'D	SCALE
		LN	X
TOLERANCES	INCH [MM]	CODE	DWG NO.
DECIMAL	± .015 [± 0.38]	C	3622TR
ANGULAR	± 1°		
UNLESS OTHERWISE SPECIFIED			

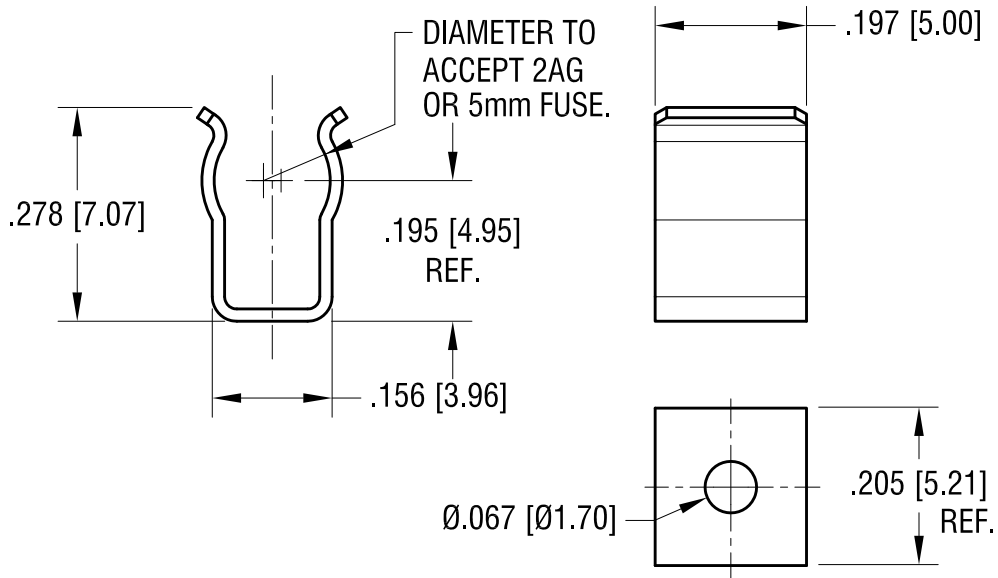
2.22.16	CHANGE AS PER ECN 16-031	A
DATE	DESCRIPTION	REV.

PAD LAYOUT



THIS DOCUMENT IS THE PROPERTY OF KEYSTONE ELECTRONICS CORP. AND SHALL NOT BE REPRODUCED, DISTRIBUTED OR USED AS A BASIS FOR MANUFACTURE WITHOUT PRIOR WRITTEN PERMISSION FROM KEYSTONE ELECTRONICS CORP.

ACTUAL SIZE



KEYSTONE ELECTRONICS CORP.

www.keyelco.com • ASTORIA, N.Y. 11105-2017 • Tel (718) 956-8900

PART NAME
2AG/5mm SURFACE MOUNT FUSE CLIP

MATERIAL
.016 [0.40] TH'K BRASS

FINISH
MATTE TIN PLATE

DRN BY NT DATE 1.31.11

APP'D LN SCALE 4X

TOLERANCES INCH [MM]
DECIMAL ± .005 [± 0.13]
ANGULAR ± 1°
UNLESS OTHERWISE SPECIFIED

CODE DWG NO.

C

3622

4.11.17	CHANGE AS PER ECN 17-034	B
2.03.16	CHANGE AS PER ECN 16-023	A
DATE	DESCRIPTION	REV.