

# 3M™ Mini-Clamp Socket

2 mm Boardmount, Straight Solder Tails

372 Series



- Compact design saves board space
- High number of mating cycles
- Mating latch features provide a reliable interconnection in demanding applications
- Enables easy and simple interconnecting of sensors or other devices
- Dust cap accessory available for use in harsh environments
- RoHS Compliant. See the Regulatory Information Appendix (RIA) in the “RoHS Compliance” section of [www.3Mconnector.com](http://www.3Mconnector.com) for compliance

Date Modified: September 3, 2010

TS-2093-E  
Sheet 1 of 5

## Physical

**Insulation:**

Material: Nylon  
Flammability: UL 94V-0  
Color: Black

**Contact:**

Material: Copper Alloy

**Plating:**

Underplating: 2.54  $\mu\text{m}$  [100  $\mu''$ ] minimum Nickel  
Wiping Area: 0.2  $\mu\text{m}$  [8  $\mu''$ ] minimum Gold with Lubricant

Soldertails: Gold Flash

**Marking:** 3M Logo, Position Indicator, Insulator Material

**Mating Compatibility:** 37103, 37104, 37106, 37108 Series. Must have same number of pins per row.

## Electrical

**Current Rating:** 3.0 Amps

**Voltage Rating:** 32 Volts

**Insulation Resistance:**  $>1 \times 10^6 \sim$  at 600  $V_{DC}$

**Withstanding Voltage:** 1,000  $V_{RMS}$  at sea level

## Environmental

**Temperature Rating:** -20°C to +85°C ambient (1.0 A max.)  
-20°C to +75°C ambient (2.0 A max.)  
-20°C to +60°C ambient (3.0 A max.)  
(Note: UL rating is 65°C at 3.0A, 32V)

**Process Rating:** 260°C max. for wave solder reflow  
390°C max. for soldering iron

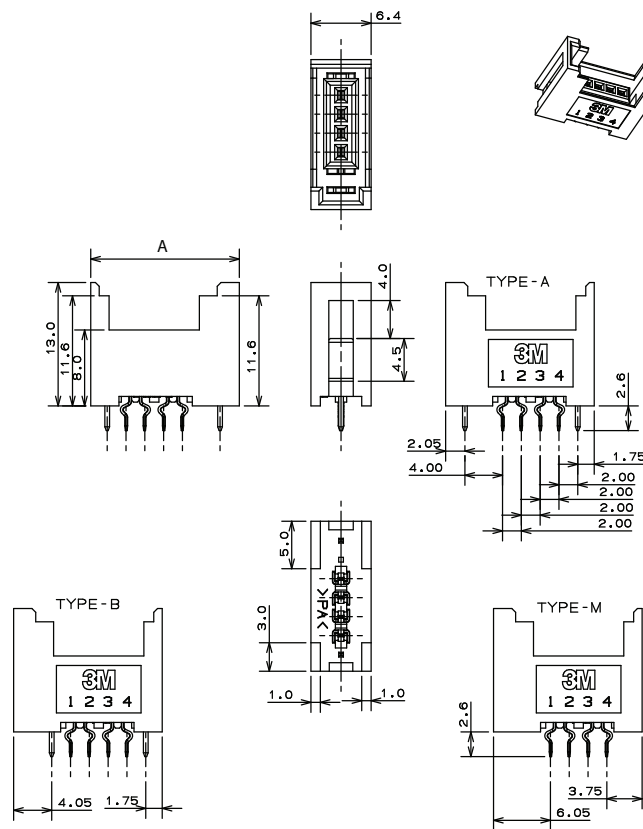
UL File No.: E68080

# 3M™ Mini-Clamp Socket

2 mm Boardmount, Straight Solder Tails

372 Series

## Single Row Style 3 and 4 position



Pins	A
3	13.8 [0.54]
4	15.8 [0.62]

mm		[inch]	
Tolerance Unless Noted			
	0.0	0.00	
mm	± .1	± .10	

[ ] Dimensions for Reference only



## Recommended Hole Pattern



## Ordering Information

**372XX - 62X3 - 00X PL** (RIA E1 & C1 apply)

Available Combinations:

- 37203-62A3-003 PL
- 37203-62B3-003 PL
- 37204-62A3-004 PL
- 37204-62B3-004 PL

Positions  
03 or 04

Positions / Pins per Row:  
3 or 4

Post Options:

- A = 2 Asymmetric Posts
- B = 2 Symmetrical Posts

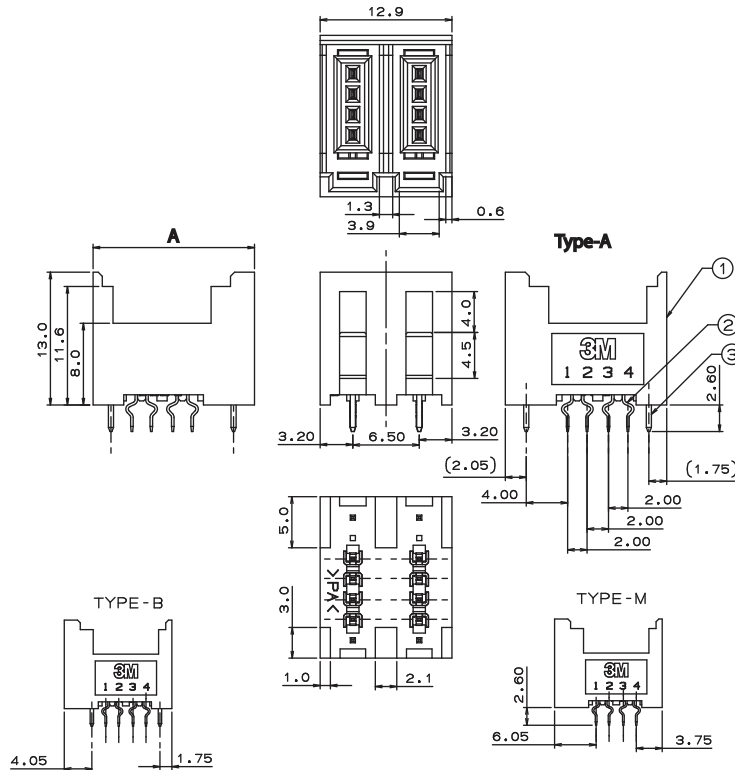
TS-2093-E  
Sheet 2 of 5

# 3M™ Mini-Clamp Socket

2 mm Boardmount, Straight Solder Tails

372 Series

## Double Row Style 6 or 8 position



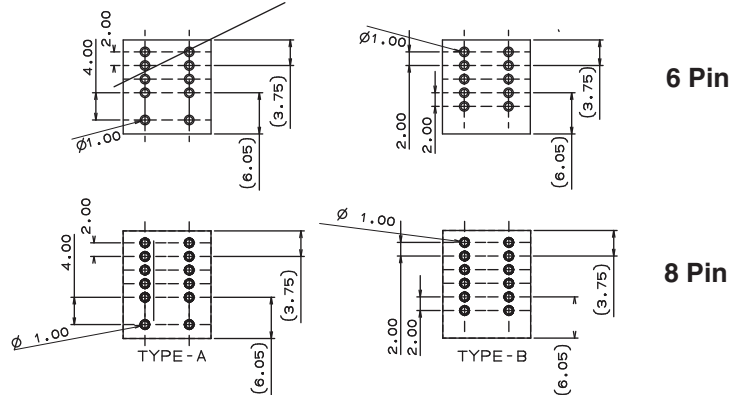
Pins	A
6	13.8 [0.54]
8	15.8 [0.62]

mm [inch]	
Tolerance Unless Noted	
	0.0 0.00
mm	± .1 ± .10

[ ] Dimensions for Reference only



## Recommended Hole Pattern



## Ordering Information

**372XX - 62X3 - 00X PL** (RIA E1 & C1 apply)

Available Combinations:

- 37206-62A3-003 PL
- 37206-62B3-003 PL
- 37208-62A3-004 PL
- 37208-62B3-004 PL

Positions  
06 or 08

Positions / Pins per Row:  
3 or 4

Post Options:

- A = 2 Asymmetric Posts
- B = 2 Symmetrical Posts

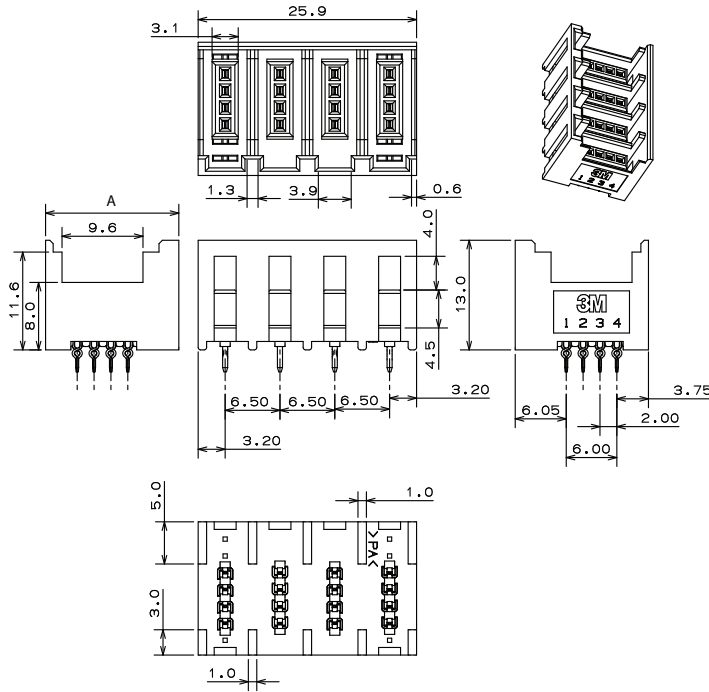
TS-2093-E  
Sheet 3 of 5

# 3M™ Mini-Clamp Socket

2 mm Boardmount, Straight Solder Tails

372 Series

## Four Row Style 12 or 16 position



Pins	A
12	13.8 [0.54]
16	15.8 [0.62]

mm [inch]		
Tolerance Unless Noted		
	0.0	0.00
mm	± .1	± .10

[ ] Dimensions for Reference only

### Recommended Hole Pattern



## Ordering Information

Available Combinations:  
 37212-62M3-003 PL  
 37212-62A3-003 PL  
 37212-62B3-003 PL  
 37216-62M3-004 PL

Positions  
12 or 16

**372XX - 62X3 - 00X PL** (RIA E1 & C1 apply)

Post Options:  
 M = No Posts  
 A = 2 Asymmetric Posts (12 Pos. Only)  
 B = 2 Symmetrical Posts (12 Pos. Only)

Positions / Pins per Row:  
3 or 4

TS-2093-E  
Sheet 4 of 5

# 3M™ Mini-Clamp Socket

2 mm Boardmount, Straight Solder Tails

372 Series

## Accessories

### Dust Cover Accessory



Ordering Information:  
3 pos - 37803-1000-00  
4 pos - 37804-1000-00

TS-2093-E  
Sheet 5 of 5