



3L09-1

SNAP DISC FIXED TEMPERATURE BOARD MOUNT LIMITS

1/2" Automatic reset snap disc thermostats with ranges for all your system needs.

FEATURES

- Proven reliability in a compact, versatile, cost-effective design
- Provides high-speed contact separation

SPECIFICATIONS

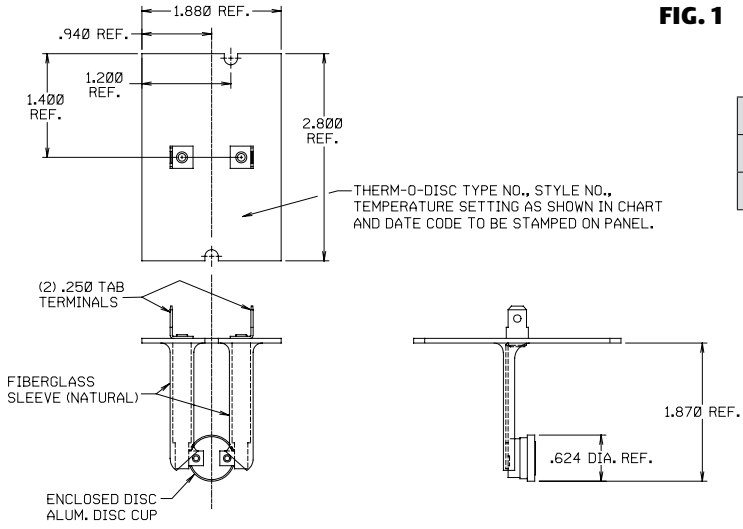
Switch ActionSPST Open on Rise
 Electrical RatingsResistive 15A @ 120 VAC, 13A @ 240 VAC,
Inductive 5.8 FLA, 34.8LRA @ 120 VAC; 2.9FLA, 13.0 LRA @ 240 VAC
 Pilot Duty 125 VAC
 Dimensions37"H X 1.32"W X 1.23"L
 Weight 0.2 oz.
 UR/CUR File NumberE19279
 CSA/CUS Certificate Number..... LR77886/LR109556
 VDE Lic. 118631

SNAP DISC FIXED TEMPERATURE BOARD MOUNT LIMITS

| APPLICATIONS | CUT-IN | CUT-OUT | SWITCH ACTION | TOD TYPE | TOD STYLE | LENGTH (IN) | MODEL NUMBER | ITEM NUMBER |
|---|---------------|---------------|---------------|----------|-----------|-------------|--------------|-------------|
| Snap Disc Board Mount Limit - Automatic Reset | 100°F (38°C) | 140°F (60°C) | Open on Rise | 36T01B2 | 612700 | 1.87 | 3L09-1 | 03L09 001S1 |
| | 130°F (54°C) | 170°F (77°C) | Open on Rise | 36T01B2 | 612708 | 1.87 | 3L09-2 | 03L09 002S1 |
| | 110°F (43°C) | 140°F (60°C) | Open on Rise | 36T01B3 | 612701 | 3.12 | 3L09-3 | 03L09 003S1 |
| | 130°F (54°C) | 150°F (66°C) | Open on Rise | 36T01B3 | 612703 | 3.12 | 3L09-4 | 03L09 004S1 |
| | 140°F (60°C) | 160°F (71°C) | Open on Rise | 36T01B3 | 612706 | 3.12 | 3L09-5 | 03L09 005S1 |
| | 130°F (54°C) | 170°F (77°C) | Open on Rise | 36T01B3 | 612710 | 3.12 | 3L09-6 | 03L09 006S1 |
| | 145°F (63°C) | 175°F (79°C) | Open on Rise | 36T01B3 | 612711 | 3.12 | 3L09-7 | 03L09 007S1 |
| | 140°F (60°C) | 180°F (82°C) | Open on Rise | 36T01B3 | 612714 | 3.12 | 3L09-8 | 03L09 008S1 |
| | 170°F (77°C) | 190°F (88°C) | Open on Rise | 36T01B3 | 612715 | 3.12 | 3L09-9 | 03L09 009S1 |
| | 160°F (71°C) | 200°F (93°C) | Open on Rise | 36T01B3 | 612718 | 3.12 | 3L09-10 | 03L09 010S1 |
| | 170°F (77°C) | 210°F (99°C) | Open on Rise | 36T01B3 | 612719 | 3.12 | 3L09-11 | 03L09 011S1 |
| | 180°F (82°C) | 220°F (104°C) | Open on Rise | 36T01B3 | 612722 | 3.12 | 3L09-12 | 03L09 012S1 |
| | 210°F (99°C) | 240°F (116°C) | Open on Rise | 36T01B3 | 612723 | 3.12 | 3L09-13 | 03L09 013S1 |
| | 210°F (99°C) | 250°F (121°C) | Open on Rise | 36T01B3 | 612725 | 3.12 | 3L09-14 | 03L09 014S1 |
| | 230°F (110°C) | 260°F (127°C) | Open on Rise | 36T01B3 | 612727 | 3.12 | 3L09-15 | 03L09 015S1 |
| | 130°F (54°C) | 150°F (66°C) | Open on Rise | 36T01B3 | 612704 | 3.12 | 3L09-16 | 03L09 016S1 |
| | 225°F (107°C) | 250°F (121°C) | Open on Rise | 36T01B3 | 612726 | 3.12 | 3L09-17 | 03L09 017S1 |
| | 125°F (62°C) | 155°F (68°C) | Open on Rise | 36T01B3 | 612705 | 7.12 | 3L09-18 | 03L09 018S1 |
| | 145°F (63°C) | 175°F (79°C) | Open on Rise | 36T01B3 | 612712 | 7.12 | 3L09-19 | 03L09 019S1 |
| | 210°F (99°C) | 240°F (116°C) | Open on Rise | 36T01B3 | 612724 | 7.12 | 3L09-20 | 03L09 020S1 |
| | 140°F (60°C) | 160°F (71°C) | Open on Rise | 36T01B3 | 612707 | 3.12 | 3L09-22 | 03L09 022S1 |
| | 150°F (66°C) | 170°F (77°C) | Open on Rise | 36T01B3 | 612709 | 3.12 | 3L09-23 | 03L09 023S1 |
| | 170°F (77°C) | 190°F (88°C) | Open on Rise | 36T01B3 | 612716 | 3.12 | 3L09-24 | 03L09 024S1 |
| | 180°F (82°C) | 200°F (93°C) | Open on Rise | 36T01B3 | 612717 | 3.12 | 3L09-25 | 03L09 025S1 |
| | 160°F (71°C) | 180°F (82°C) | Open on Rise | 36T01B3 | 612713 | 1.87 | 3L09-26 | 03L09 026S1 |
| | 200°F (93°C) | 220°F (104°C) | Open on Rise | 36T01B3 | 612721 | 1.87 | 3L09-27 | 03L09 027S1 |
| | 180°F (82°C) | 210°F (99°C) | Open on Rise | 36T01B3 | 612720 | 3.12 | 3L09-28 | 03L09 028S1 |

FIG. 1

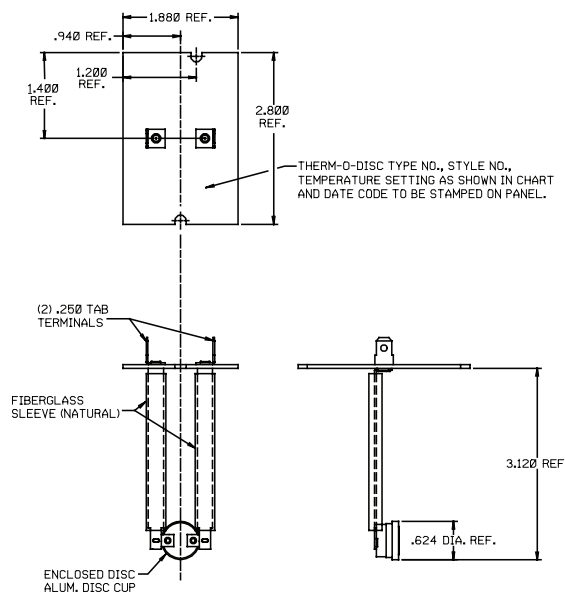
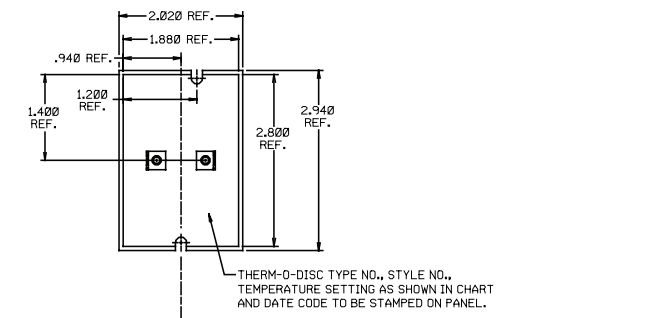
| MODEL NUMBER | TEMP. SETTING ON PANEL | OPEN TEMP. | CLOSE TEMP. |
|--------------|------------------------|------------|-------------|
| 3L09-1 | L140-40 | 140°F±5° | 100°F±8° |
| 3L09-2 | L170-40 | 170°F±5° | 130°F±8° |



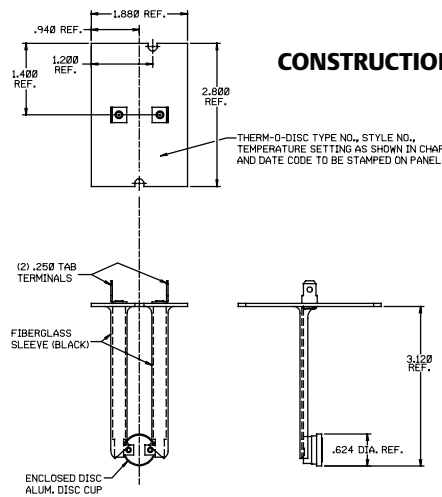
CONSTRUCTION "A"

FIG. 2

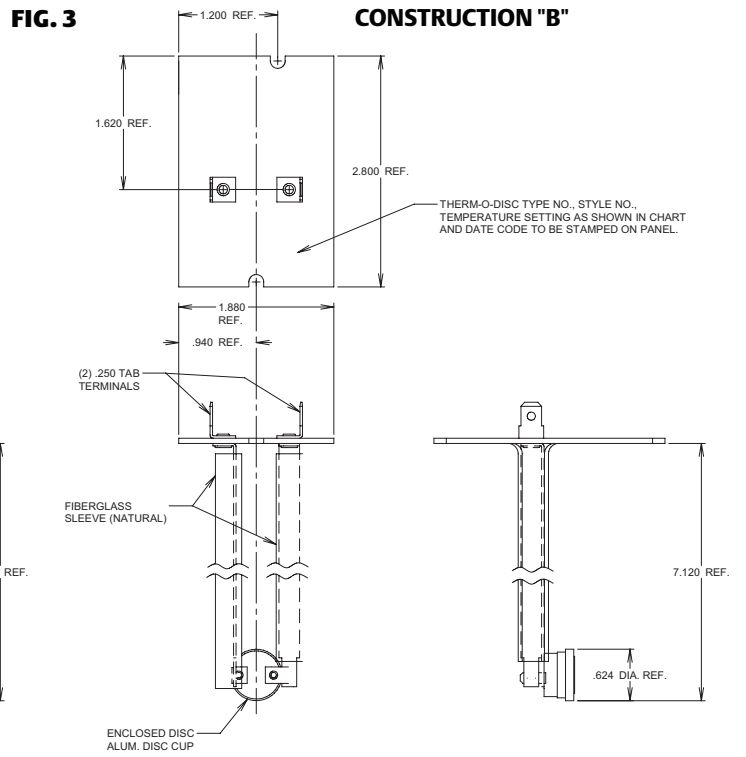
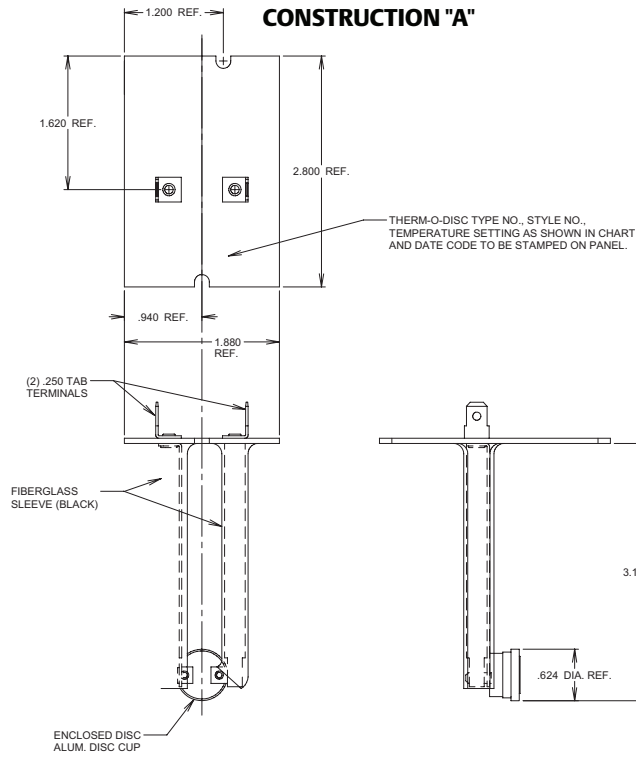
CONSTRUCTION "B"



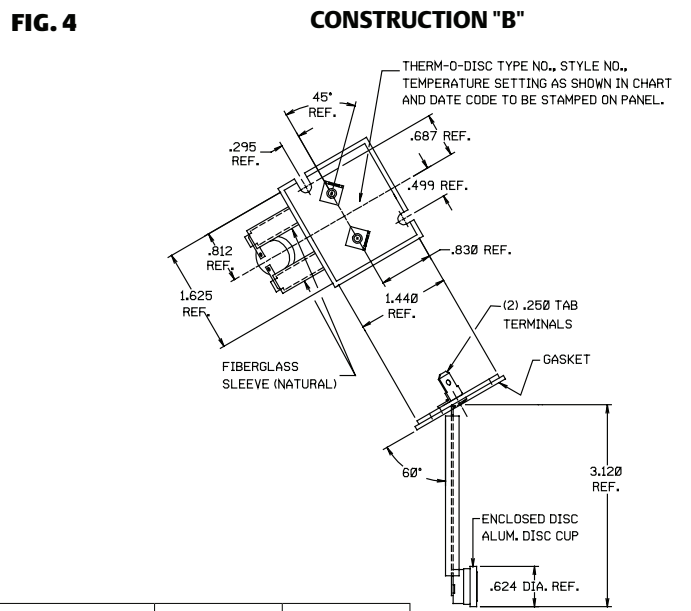
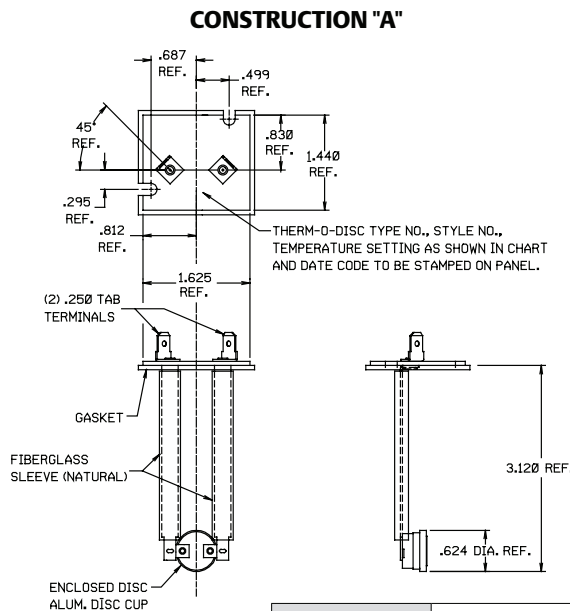
CONSTRUCTION "C"



| MODEL NUMBER | CONSTRUCTION | TEMP. SETTING ON PANEL | OPEN TEMP. | CLOSE TEMP. |
|--------------|--------------|------------------------|------------|-------------|
| 3L09-3 | A | L140-30F | 140°F±5° | 110°F±8° |
| 3L09-4 | C | L150-20F | 150°F±5° | 130°F±8° |
| 3L09-5 | C | L160-20F | 160°F±5° | 140°F±8° |
| 3L09-6 | B | L170-40F | 170°F±5° | 130°F±8° |
| 3L09-7 | A | L175-30F | 175°F±5° | 145°F±8° |
| 3L09-8 | B | L180-40F | 180°F±6° | 140°F±9° |
| 3L09-9 | C | L190-20F | 190°F±5° | 170°F±8° |
| 3L09-10 | B | L200-40F | 200°F±6° | 160°F±9° |
| 3L09-11 | B | L210-40F | 210°F±6° | 170°F±9° |
| 3L09-12 | B | L220-40F | 220°F±6° | 180°F±9° |
| 3L09-13 | A | L240-30F | 240°F±6° | 210°F±10° |
| 3L09-14 | B | L250-40F | 250°F±7° | 210°F±11° |
| 3L09-15 | A | L260-30F | 260°F±6° | 230°F±10° |



| MODEL NUMBER | CONSTRUCTION | TEMP. SETTING ON PANEL | OPEN TEMP. | CLOSE TEMP. |
|--------------|--------------|------------------------|------------|-------------|
| 3L09-16 | A | L150-20F | 150°F±5° | 130°F±8° |
| 3L09-17 | A | L250-25F | 250°F±6° | 225°F±9° |
| 3L09-18 | B | L155-30F | 155°F±5° | 125°F±8° |
| 3L09-19 | B | L175-30F | 175°F±5° | 145°F±8° |
| 3L09-20 | B | L240-30F | 240°F±6° | 210°F±10° |



| MODEL NUMBER | CONSTRUCTION | TEMP. SETTING ON PANEL | OPEN TEMP. | CLOSE TEMP. |
|--------------|--------------|------------------------|------------|-------------|
| 3L09-22 | A | L160-20F | 160°F±5° | 140°F±8° |
| 3L09-23 | A | L170-20F | 170°F±5° | 150°F±8° |
| 3L09-24 | B | L190-20F | 190°F±5° | 170°F±8° |
| 3L09-25 | B | L200-20F | 200°F±5° | 180°F±8° |