



3L12-130

## SNAP DISC MANUAL RESET FLAME ROLLOUT LIMITS

Manual reset flame rollout limit switches designed for safety in gas fired furnaces, unit heater and roof-top units.

### FEATURES

- Loose ring, stainless steel mounting brackets
- 1/4" quick connect terminals. 90° orientation to mounting hole
- Manual reset
- Stainless steel disc cup

### SPECIFICATIONS

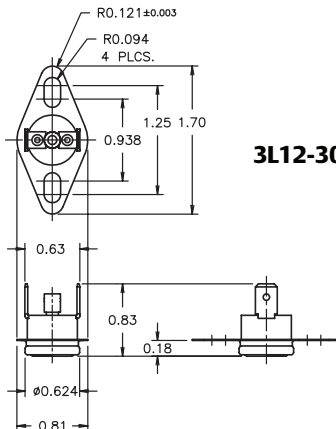
Switch Action .....SPST Open on Rise  
 Electrical Ratings ..... Resistive 15A @ 120 Vac, 10A @ 240 VAC  
 ..... Inductive 1.5 FLA, 25.0 LRA @ 120 Vac; 1.5 FLA, 6.0LRA @ 240 VAC  
 Pilot Duty ..... 125 VA  
 Dimensions .....  
 3L12-301 ..... .83"H X .81"W X 1.18"L  
 Others ..... .83"H X .81"W X 1.70"L  
 Weight ..... 0.2 oz.  
 UR/CUR File Number ..... E19279  
 CSA/CUS Certificate Number ..... LR77886/LR109556  
 VDE Lic. .... 118631

### SNAP DISC MANUAL RESET FLAME ROLLOUT LIMITS

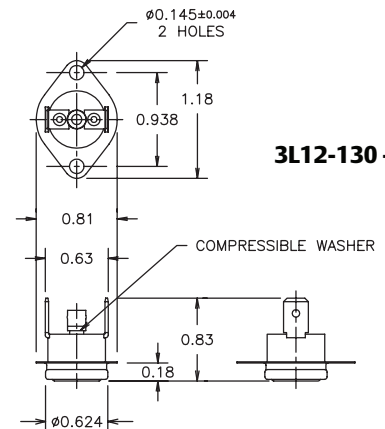
APPLICATION	FIXED TEMPERATURE SETTINGS CUT-IN	FIXED TEMPERATURE SETTINGS CUT-OUT	SWITCH ACTION	THERM-O-DISC TYPE	THERM-O-DISC STYLE	MODEL NUMBER	ITEM NUMBER
Snap Disc Limit - Manual Reset	Manual Reset	130°F (54°C)	Open on Rise	36TX16	611863	3L12-130	3L12-130
	Manual Reset	135°F (57°C)	Open on Rise	36TX16	611864	3L12-135	3L12-135
	Manual Reset	220°F (104°C)	Open on Rise	36TX16	611865	3L12-220	3L12-220
	Manual Reset	230°F (110°C)	Open on Rise	36TX16	611866	3L12-230	3L12-230
	Manual Reset	240°F (116°C)	Open on Rise	36TX16	611867	3L12-240	3L12-240
	Manual Reset	250°F (121°C)	Open on Rise	36TX16	611868	3L12-250	3L12-250
	Manual Reset	260°F (127°C)	Open on Rise	36TX16	611869	3L12-260	3L12-260
	Manual Reset	300°F (149°C)	Open on Rise	36TX16	611870	3L12-300	3L12-300
	Manual Reset	350°F (177°C)	Open on Rise	36TX16	611871	3L12-350	3L12-350
	Manual Reset	300°F (149°C)	Open on Rise	36TX16	611971	3L12-301*	3L12-301*

\* Specifically designed for ICP part #1013102

### 3L12 SERIES OUTLINE DIAGRAMS



3L12-301 ONLY



3L12-130 - 350