

THIS DRAWING IS UNPUBLISHED.

RELEASED FOR PUBLICATION

20

© COPYRIGHT 20 BY -

ALL RIGHTS RESERVED.

LOC X53

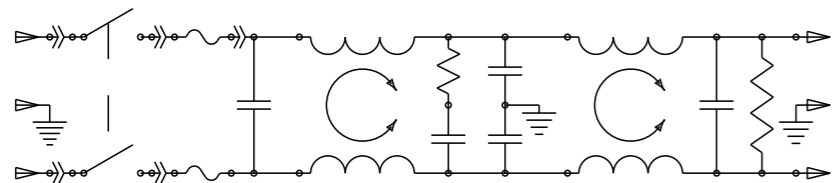
DIST -

REVISIONS

P	LTR	DESCRIPTION	DATE	DWN	APVD
	A	ECO-10-017557	10JAN2012	EC	EC

MINIMUM INSERTION LOSS, 50Ω LINE AND LOAD IMPEDANCES

LINE TO GROUND (COMMON MODE)							LINE TO LINE (DIFFERENTIAL MODE)						
CURRENT RATING	FREQUENCY, MHz						CURRENT RATING	FREQUENCY, MHz					
	.15	.5	1	3	10	30		.15	.5	1	3	10	30
3 AMP	50	60	60	49	40	30	3 AMP	25	60	60	53	45	40
6 AMP	34	58	58	47	37	30	6 AMP	9	50	62	54	46	40
10 AMP	6	35	45	45	38	30	10 AMP	10	20	59	54	48	40

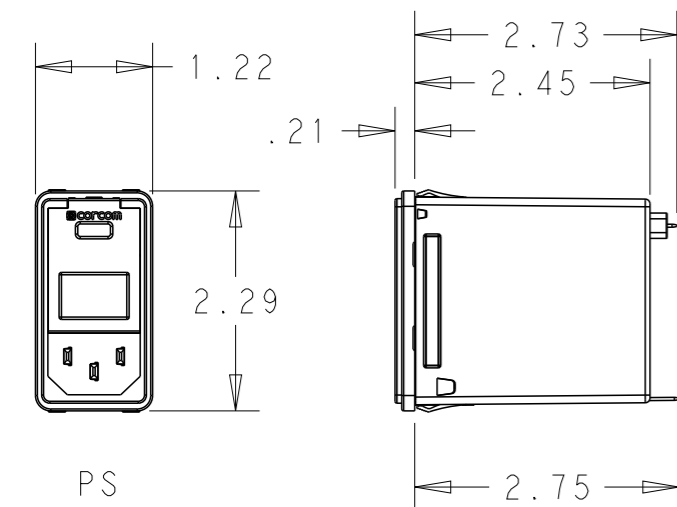
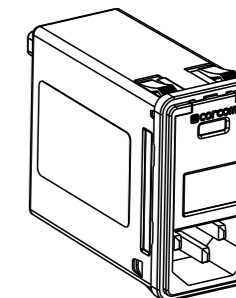


SCHEMATIC

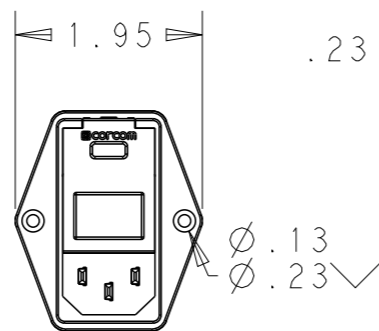
PANEL CUT-OUT



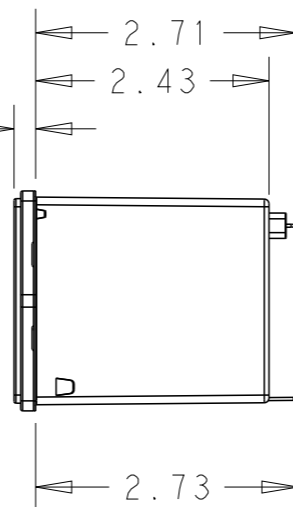
FOR PS VERSIONS THE SHORT EDGES MUST HAVE R.02 ON INSERTION SIDE.
* FOR PANEL THICKNESS 0.031-0.079 USE 2.201
FOR PANEL THICKNESS 0.083-0.114 USE 2.213.



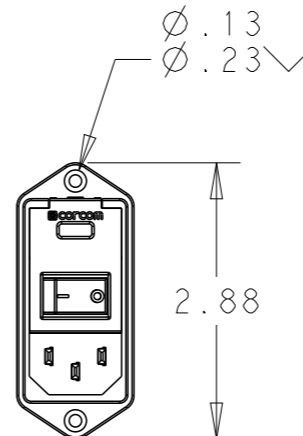
PS SNAP-IN MOUNTING



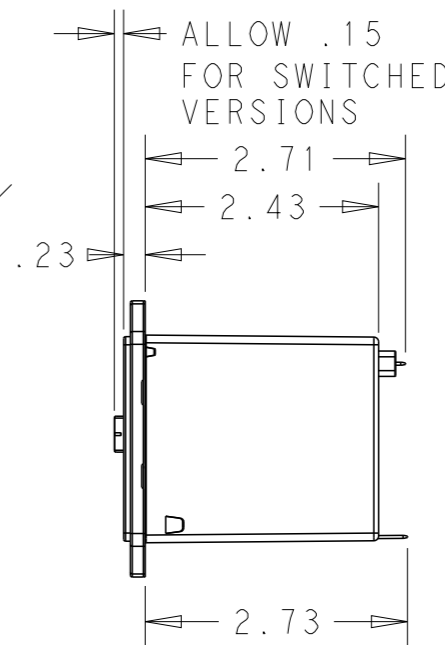
PE SHOWN WITHOUT SWITCH



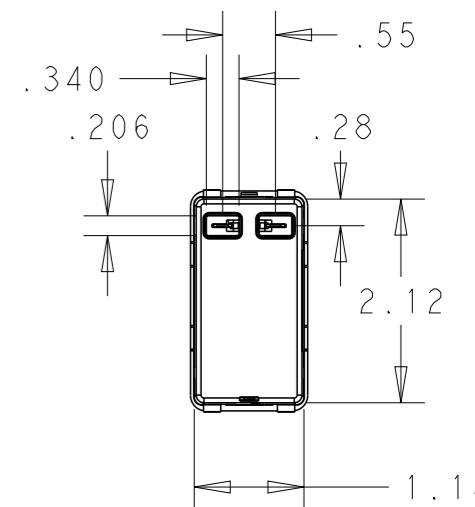
PE



PM SHOWN WITH SWITCH



PM



PS

PART NUMBER SYSTEM



MOUNTING STYLE
S = SEE ABOVE
E = SEE ABOVE
M = SEE ABOVE

SWITCH OPTIONS
0 = NONE
S = DOUBLE POLE, SINGLE THROW

FUSE LOCATIONS
D = DUAL FUSING
S = SINGLE FUSING

INCLUDES CONVERSION CLIP

PSOSOSM6E EXAMPLE:
SNAP-IN MOUNTING
WITH SWITCH
SINGLE FUSING
6 AMP
0'S ARE ZEROS.

HIPOT RATING (ONE MINUTE)
LINE TO GROUND: 1500 VAC
LINE TO LINE: 1450 VDC
OPERATING FREQUENCY: 50/60 Hz
RATED VOLTAGE: 120/250 VAC
FUSING: ACCEPTS 3AG Ø 1/4" X 1-1/4"
OR METRIC Ø 5 mm X 20 mm
OPERATING AMBIENT TEMP: -10°C TO 40°C
STORAGE TEMPERATURE: -40°C TO 85°C

MAX LEAKAGE CURRENT .25mA @ 120V 60Hz
PER LINE TO GROUND: .50mA @ 250V 60Hz
HUMIDITY: 21 DAYS, 40°C @ 95%RH
CURRENT OVERLOAD: 6X RATED FOR 8 SEC
SWITCH: 10K CYCLES @ 51 AMP INRUSH
TERMINALS: 0.187" X .032 FASTON TABS
SAFETY AGENCIES: UL RECOGNIZED, CSA CERTIFIED, VDE APPROVED.

THIS DRAWING IS A CONTROLLED DOCUMENT.

DWN	20DEC2011
EC	
CHK	20DEC2011
-	
APVD	20DEC2011
EC	



DIMENSIONS: INCHES	TOLERANCES UNLESS OTHERWISE SPECIFIED:
	0 PLC ±.2
	1 PLC ±.1
	2 PLC ±.02
	3 PLC ±.005
	4 PLC ±.0005
	ANGLES ±1

PRODUCT SPEC	-
APPLICATION SPEC	-
WEIGHT	-

NAME MEDIUM P SERIES SWITCHED, FUSED, 2-STAGE FILTERED INLET			
SIZE	CAGE CODE	DRAWING NO	RESTRICTED TO
A3	00779	©-MEDIUM-P-SERIES	-

MATERIAL -

FINISH -

CUSTOMER DRAWING

SCALE 1:2 SHEET 1 OF 1 REV A