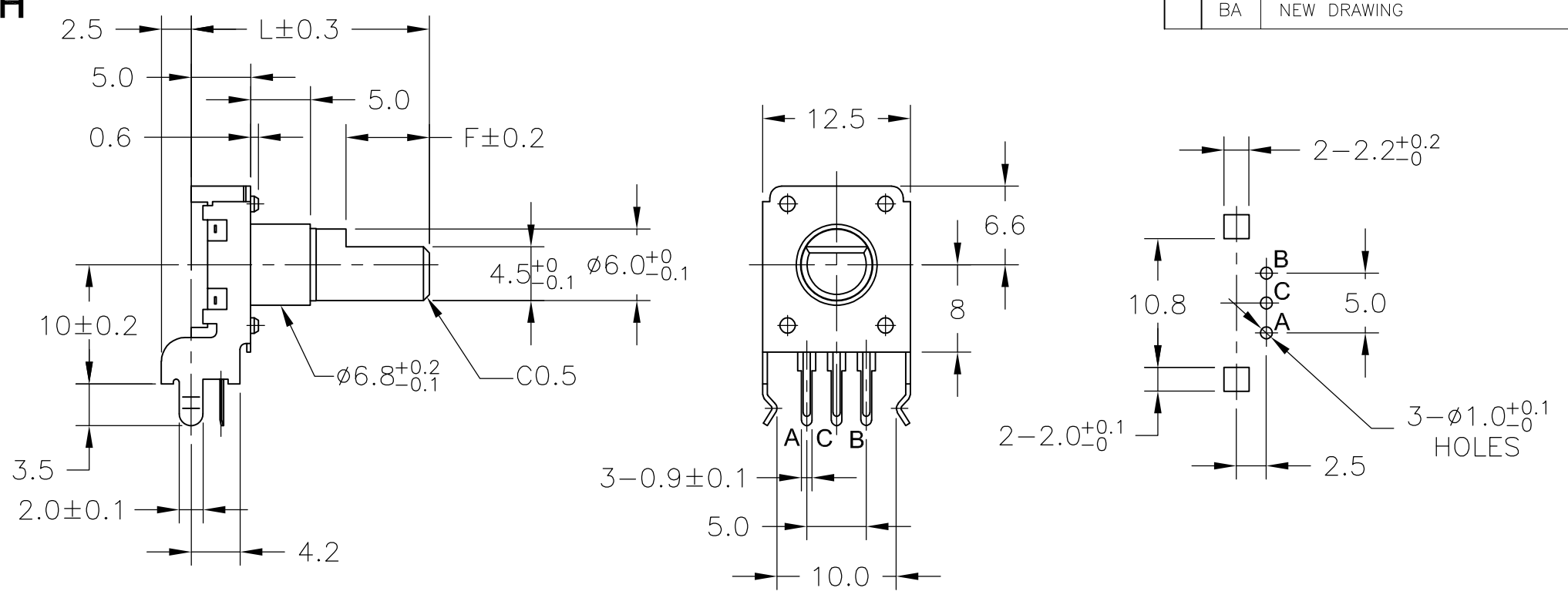


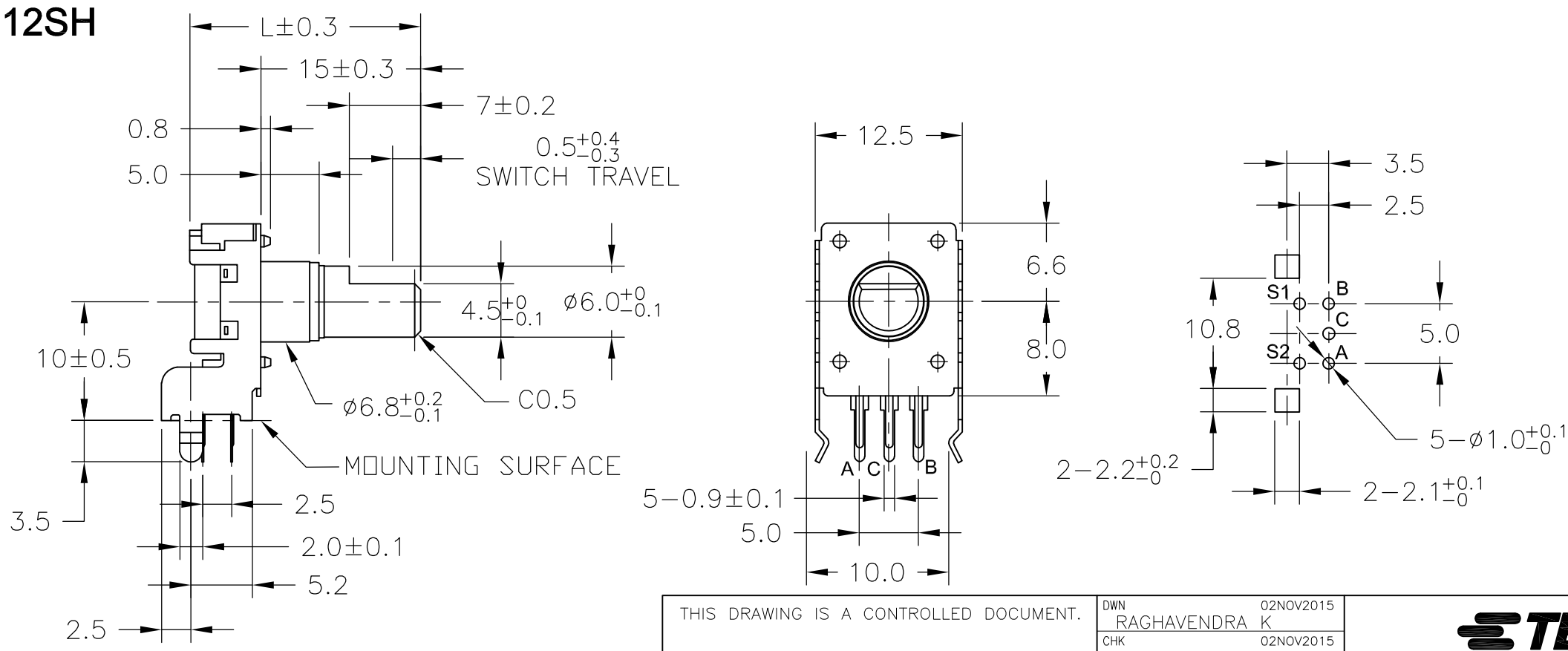
THIS DRAWING IS UNPUBLISHED. RELEASED FOR PUBLICATION
 © COPYRIGHT - By - ALL RIGHTS RESERVED.

LOC	DIST	REVISIONS				
		P	LTR	DESCRIPTION	DATE	DWN
-	-	BA	NEW DRAWING	02NOV15	KR	TN


Dimensions - DP12H



Dimensions - DP12SH



ROHS COMPLIANCE

THIS DRAWING IS A CONTROLLED DOCUMENT.		DWN RAGHAVENDRA K 02NOV2015	 TE Connectivity		
DIMENSIONS: mm		CHK ALLAN P 02NOV2015			
TOLERANCES UNLESS OTHERWISE SPECIFIED:		APVD TONY N 02NOV2015	12mm ROTARY ENCODER SERIES DP12		RESTRICTED TO
0 PLC ± - 1 PLC ± - 2 PLC ± - 3 PLC ± - 4 PLC ± - ANGLES ± -		PRODUCT SPEC	SIZE	CAGE CODE	DRAWING NO
MATERIAL		FINISH	A300779		C=1879315
		WEIGHT	CUSTOMER DRAWING		SCALE 1:1
			SHEET 1 OF 2		REV BA

THIS DRAWING IS UNPUBLISHED.

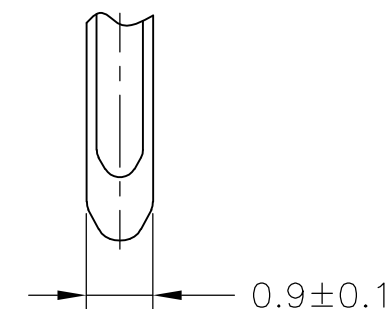
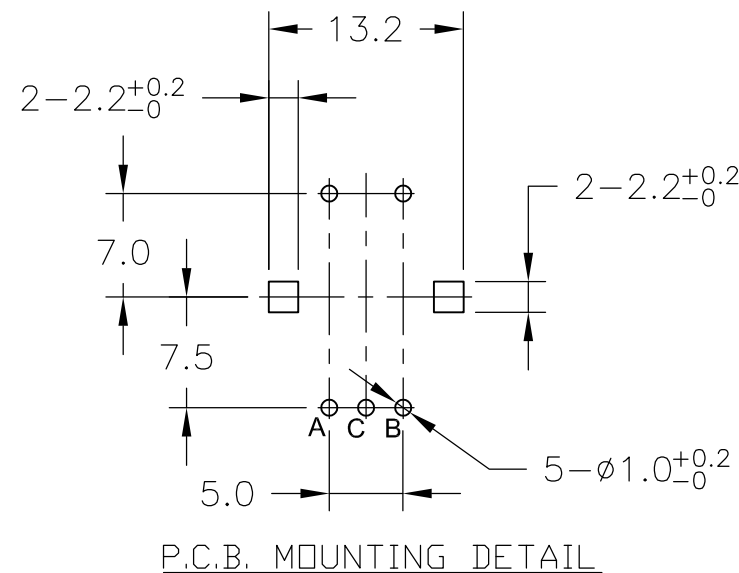
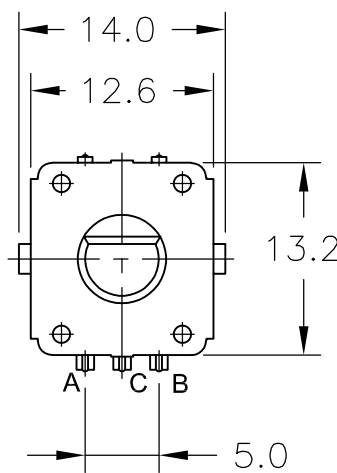
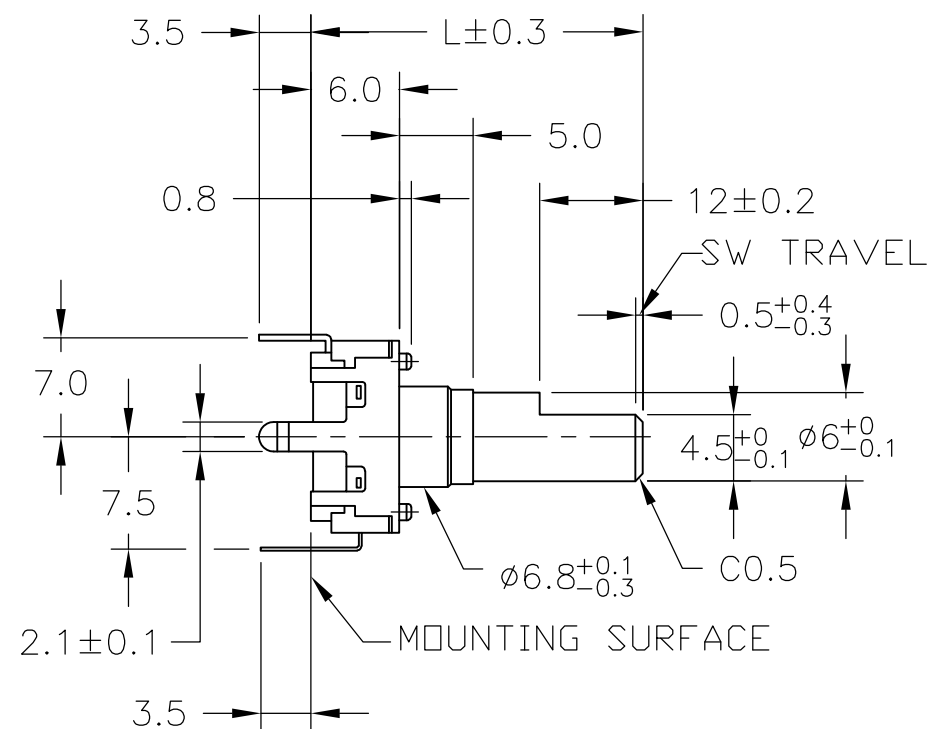
RELEASED FOR PUBLICATION

ALL RIGHTS RESERVED.

© COPYRIGHT - By -

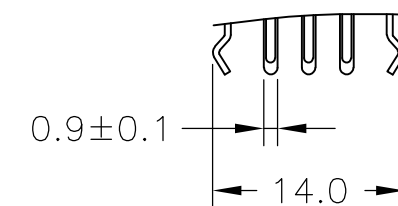
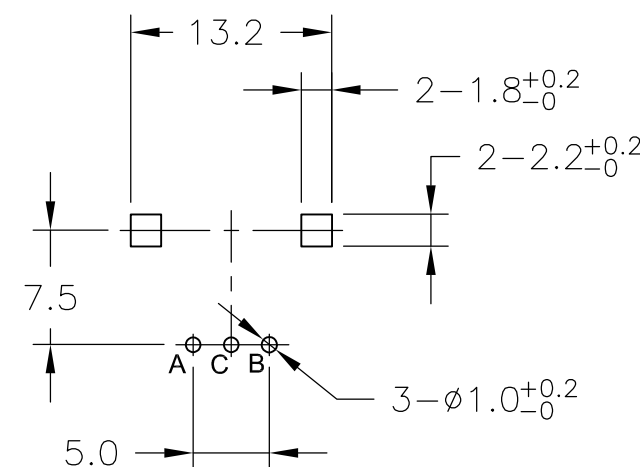
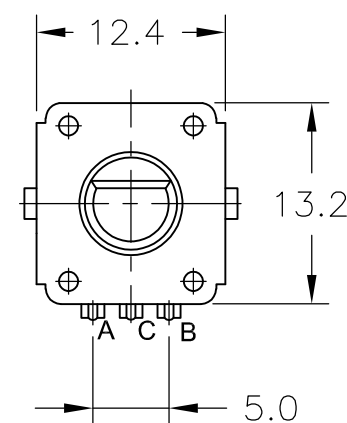
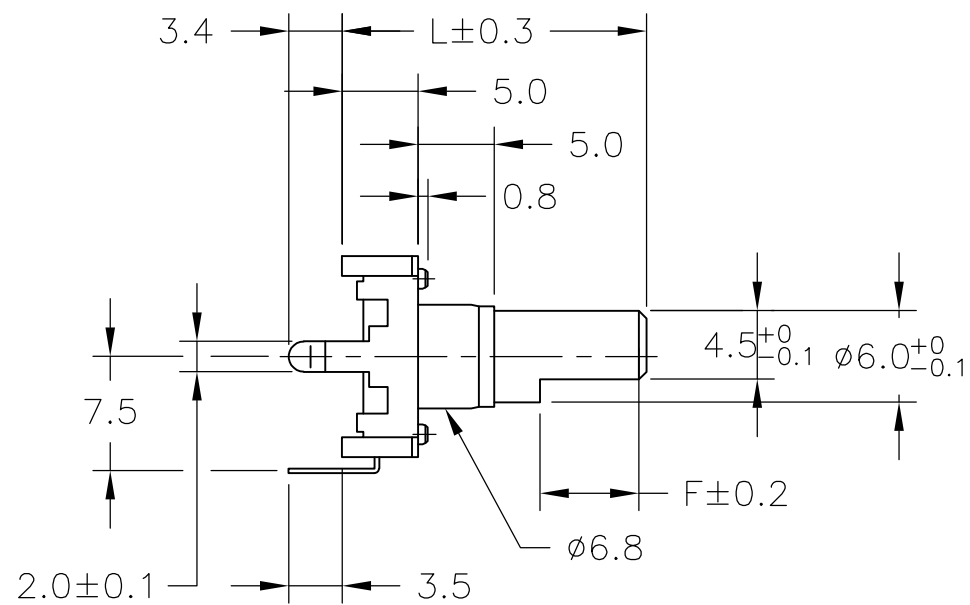
LOC	DIST	REVISIONS					
		P	LTR	DESCRIPTION	DATE	DWN	APVD
-	-	-	-	SEE SHEET 1	-	-	-

Dimensions - DP12SV



ROHS COMPLIANCE


Dimensions - DP12V



ROHS COMPLIANCE

Shaft Length:

Code	17.5F	20F	22.5F	25F	30F
L	17.5	20	22.5	25	30
F	5	7	7	12	12

THIS DRAWING IS A CONTROLLED DOCUMENT.		DWN RAGHAVENDRA K 02NOV2015	 TE Connectivity		
		CHK ALLAN P 02NOV2015			
		APVD TONY N 02NOV2015	NAME		
		PRODUCT SPEC	12mm ROTARY ENCODER SERIES DP12		
		APPLICATION SPEC	RESTRICTED TO		
MATERIAL		FINISH	SIZE	CAGE CODE	DRAWING NO
-		-	A3	00779	C=1879315
CUSTOMER DRAWING			SCALE	SHEET	REV
			1:1	2 OF 2	BA