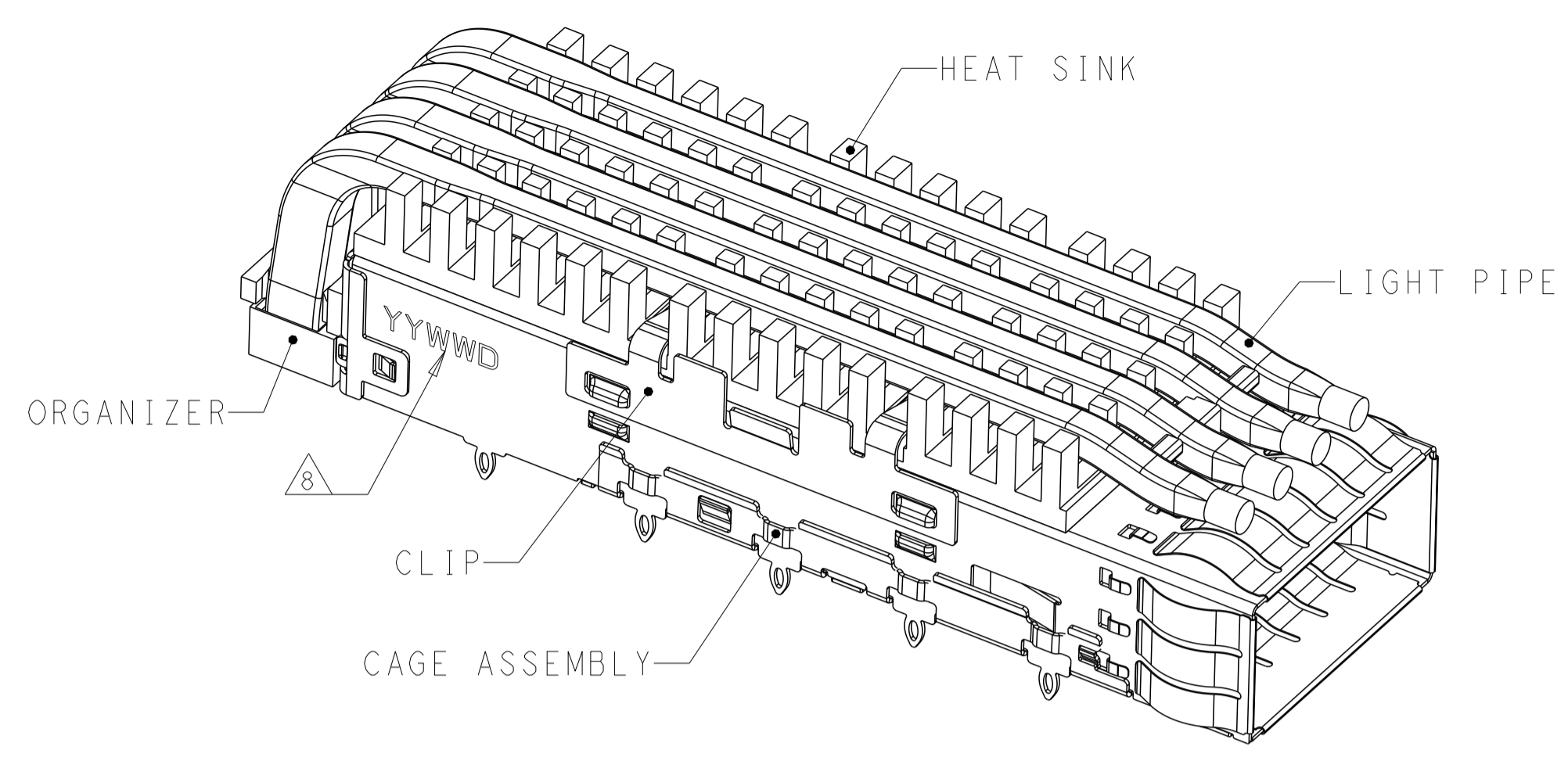
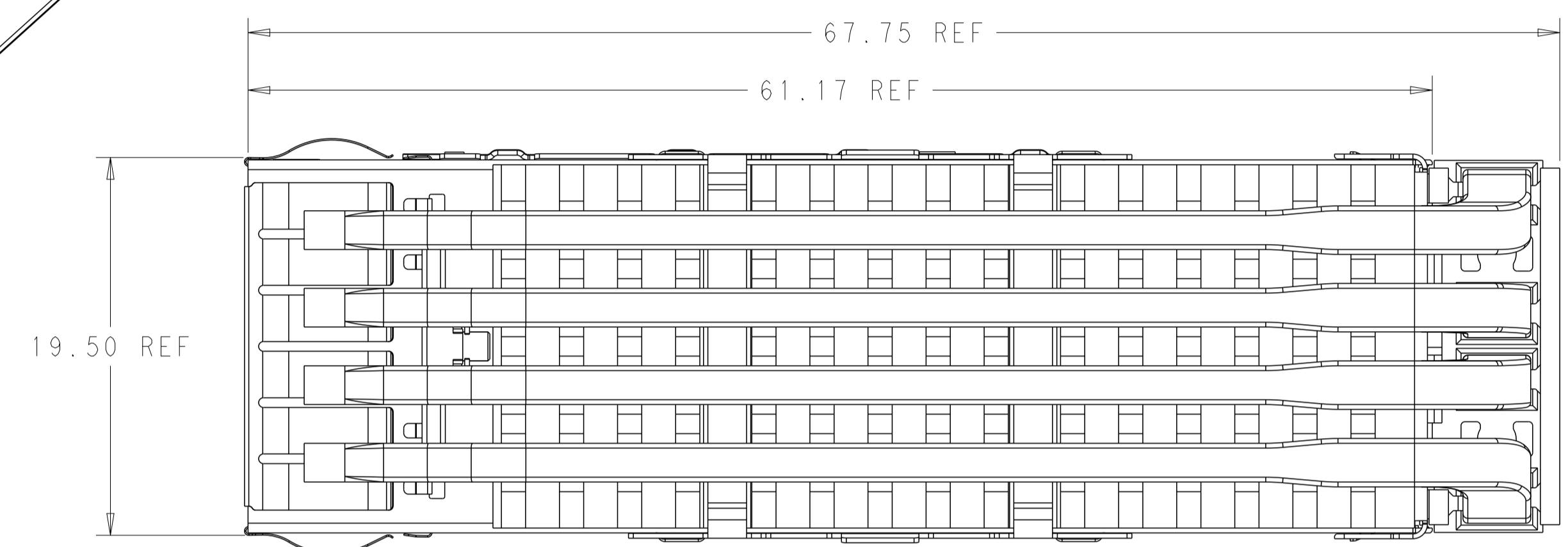


LOC		DIST		REVISIONS			
P	LTN	DESCRIPTION	DATE	DWN	APVD		
B		REVISED PER ECO-17-011899	15AUG2017	RG	SH		
C		ADD SOME DIMENSIONS	10JAN2018	JY	SH		
D		REVISED PER ECO-19-013580	04SEP2019	SH	SH		
D1		REVISED PER ECN-22-135969	08JAN2022	TP	SZ		



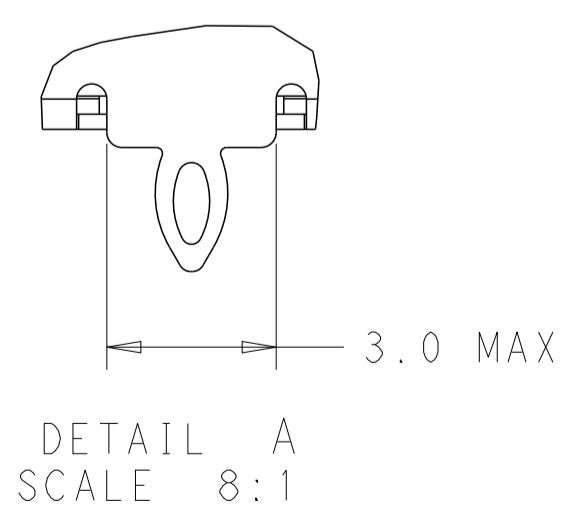
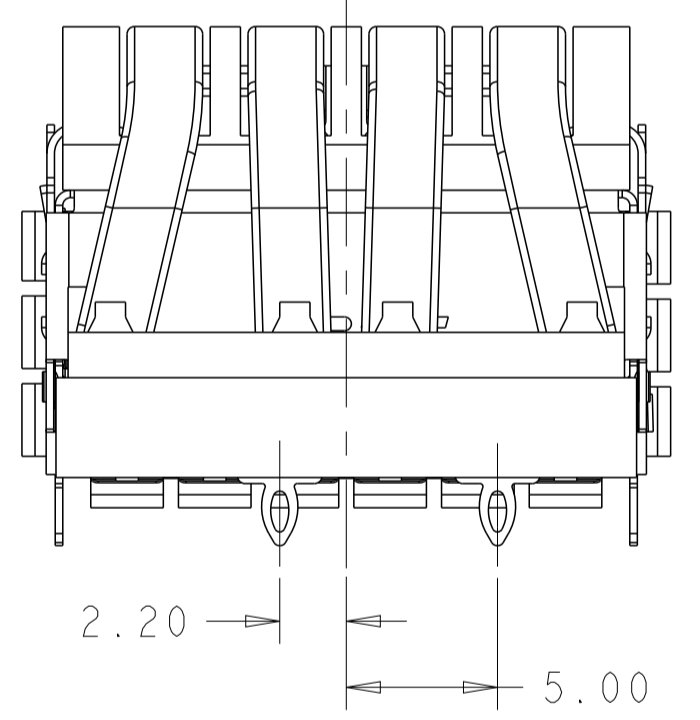
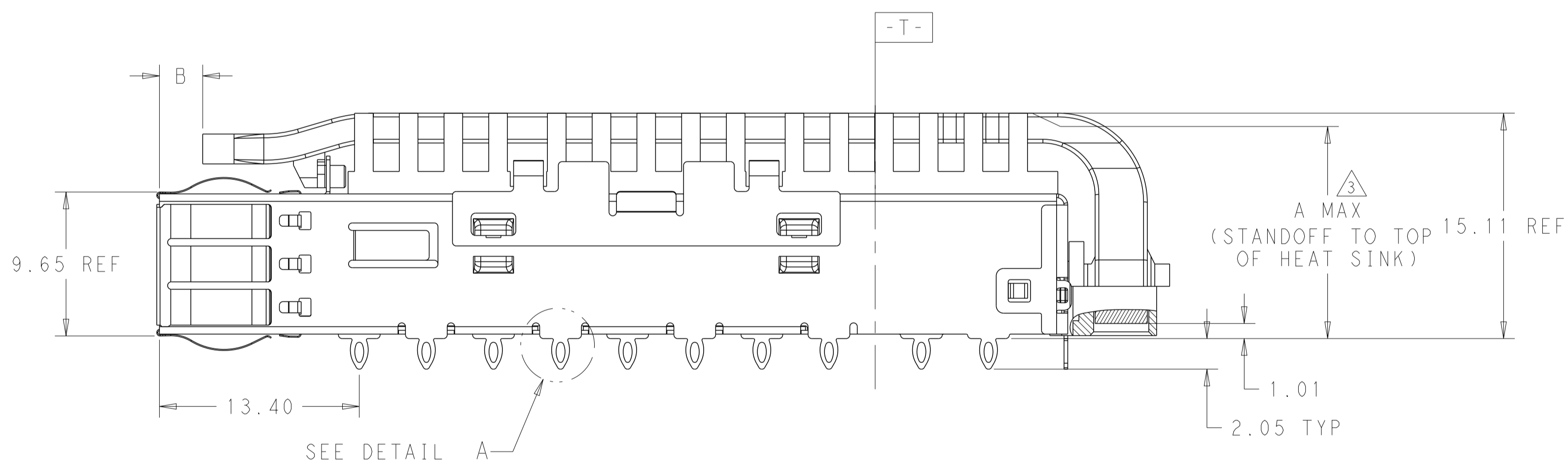
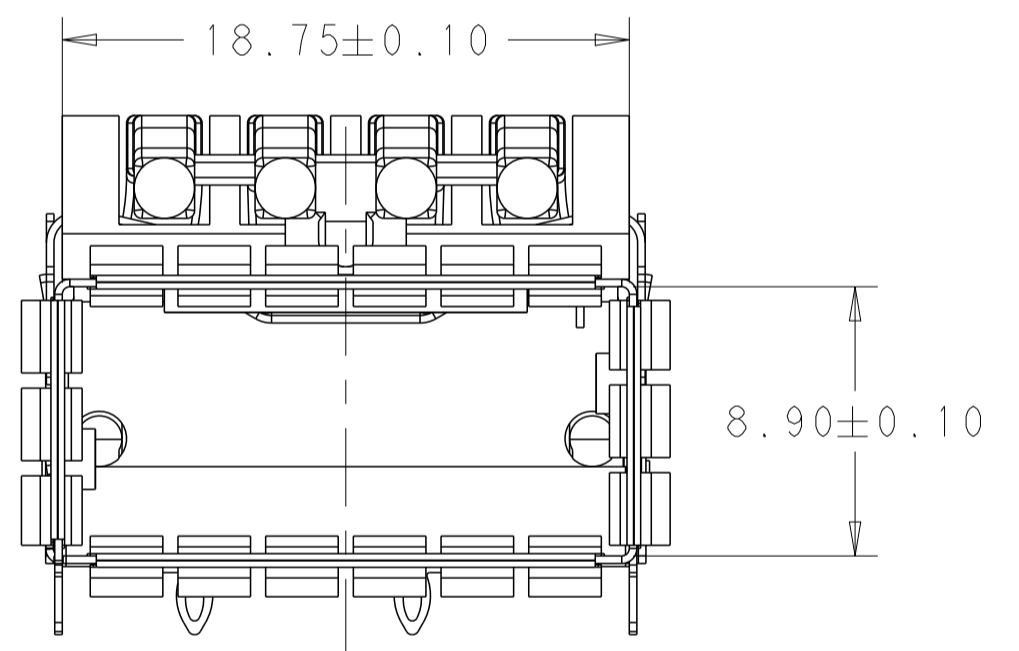
4-2170705-2 SHOWN
SCALE 3:1



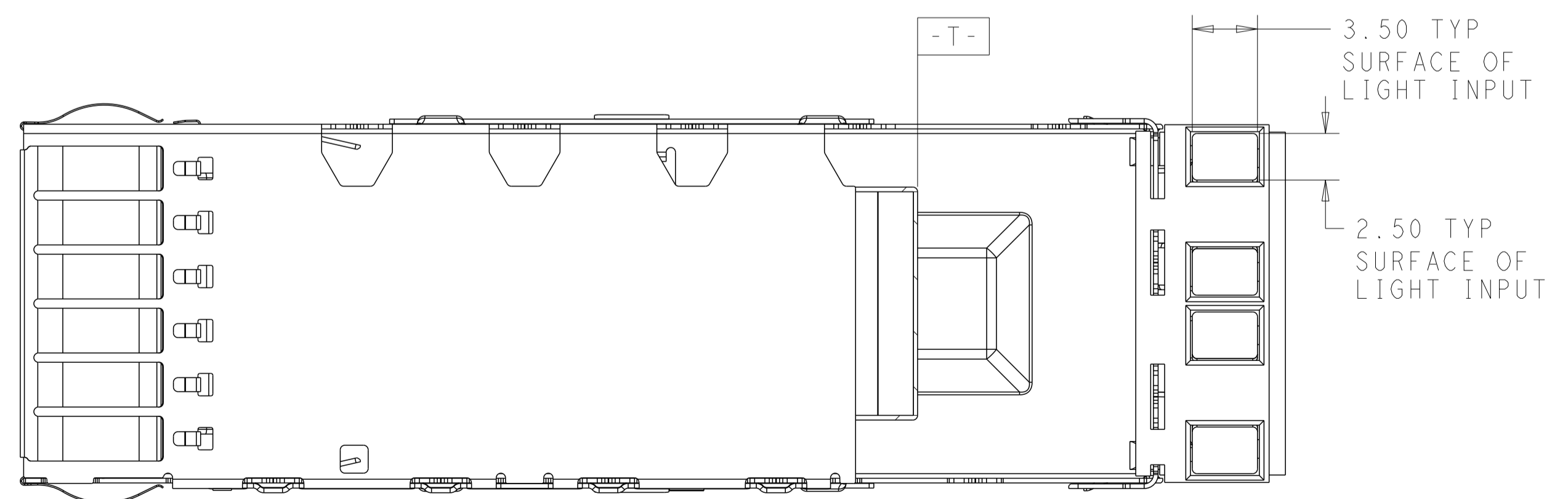
- MATERIAL: CAGE MATERIAL : 0.25 THICK NICKEL SILVER.
 SPRING MATERIAL: COPPER ALLOY
 HEAT SINK MATERIAL: ALUMINUM
 CLIP MATERIAL: STAINLESS STEEL
 LIGHT PIPE MATERIAL: POLYCARBONATE
 ORGANIZER MATERIAL: POLYESTER

- FINISH: SPRING: NICKEL PLATING
 HEAT SINK: BLACK ANODIZE

- ⚠ DIMENSION APPLIES WITH MODULE INSTALLED IN THE CAGE TO TOP OF HEAT SINK.
- ⚠ REFERENCE APPLICATION SPEC 114-32023 FOR RECOMMENDED DRILL HOLE DIAMETER AND PLATING THICKNESS.
- ⚠ DATUM AND BASIC DIMENSIONS ESTABLISHED BY CUSTOMERS.
- 6. MINIMUM PC BOARD THICKNESS : SINGLES SIDED: 1.57 MIN
 DOUBLE SIDED: 2.20 MIN
- ⚠ DATUM -A- IS TOP SURFACE OF THE HOST BOARD.
- ⚠ DATE CODE (YYWWD) MARKED APPROXIMATELY AS SHOWN
- ⚠ THESE HOLES ARE OPTIONAL WHEN THE REAR PINS ARE REMOVED.
- 10. MATES WITH QSFP28 MSA COMPATIBLE TRANSCEIVER.
- ⚠ PRELIMINARY PART - NOT RELEASE TO PRODUCTION.



DETAIL A
SCALE 8:1

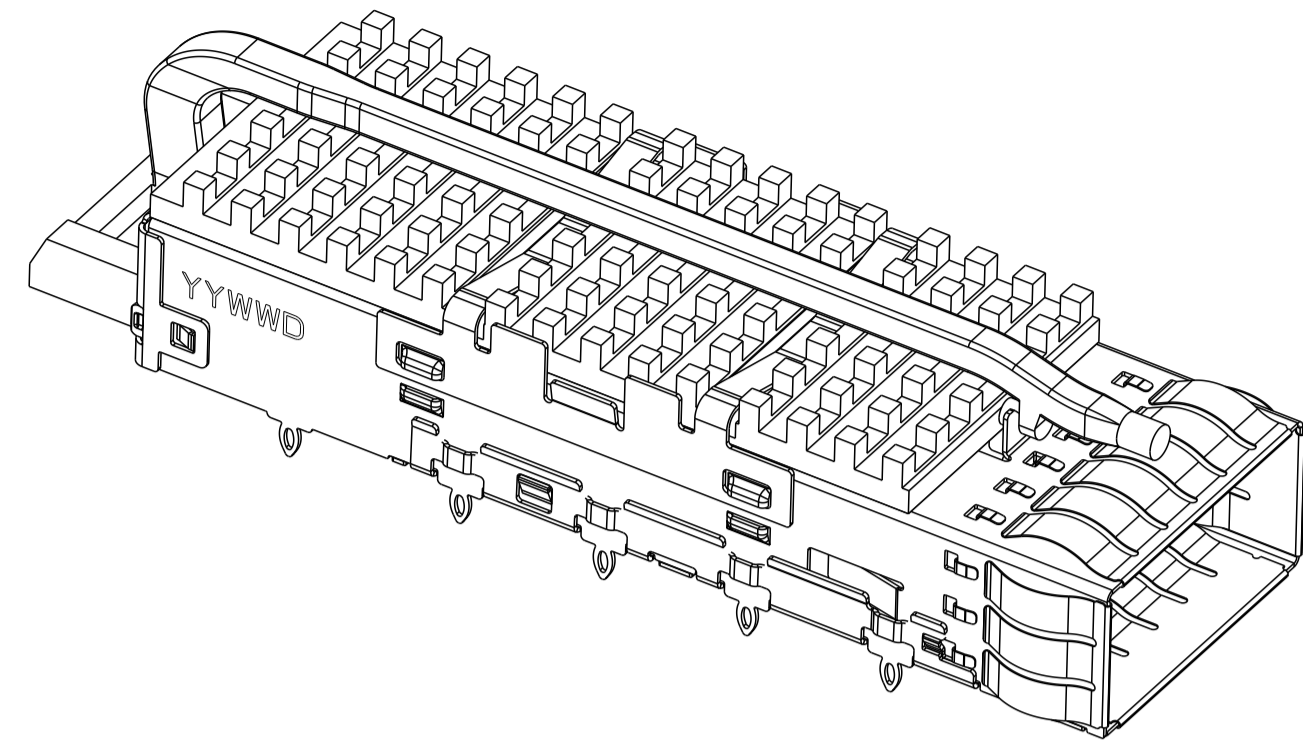


4-2170705-2 AS SHOWN

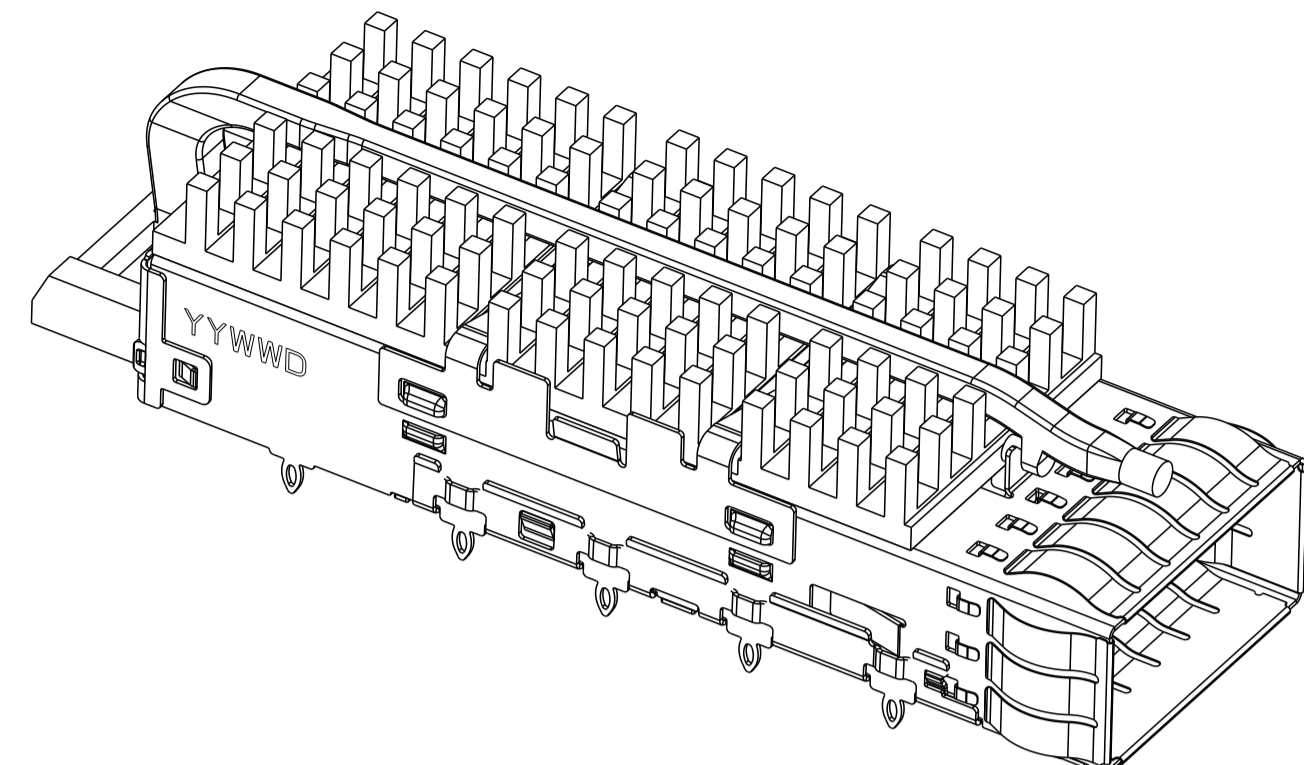
THIS DRAWING IS A CONTROLLED DOCUMENT.		DWN: JASON YANG 07MAR2014	TE Connectivity	
		CHK: SEAN HAN 26JAN2016		
DIMENSIONS:		APVD:		NAME:
mm		PRODUCT SPEC:		CAGE ASSEMBLY, QSFP28, THRU BEZEL
0 PLC ±0.25 1 PLC ±0.25 2 PLC ±0.25 3 PLC ±0.25 4 PLC ±0.100 ANGLES ±°		APPLICATION SPEC:		WITH EMI SPRING FINGER
MATERIAL:		WEIGHT:		HEAT SINK, LIGHT PIPE
FINISH:		CUSTOMER DRAWING		RESTRICTED TO:
		SCALE 2:1		SHEET 1 OF 9
		REV D1		

LOC		DIST		REVISIONS			
P	LYR	DATE	OWN	APVD	DESCRIPTION		
-	-	-	-	-	SEE SHEET 1		-

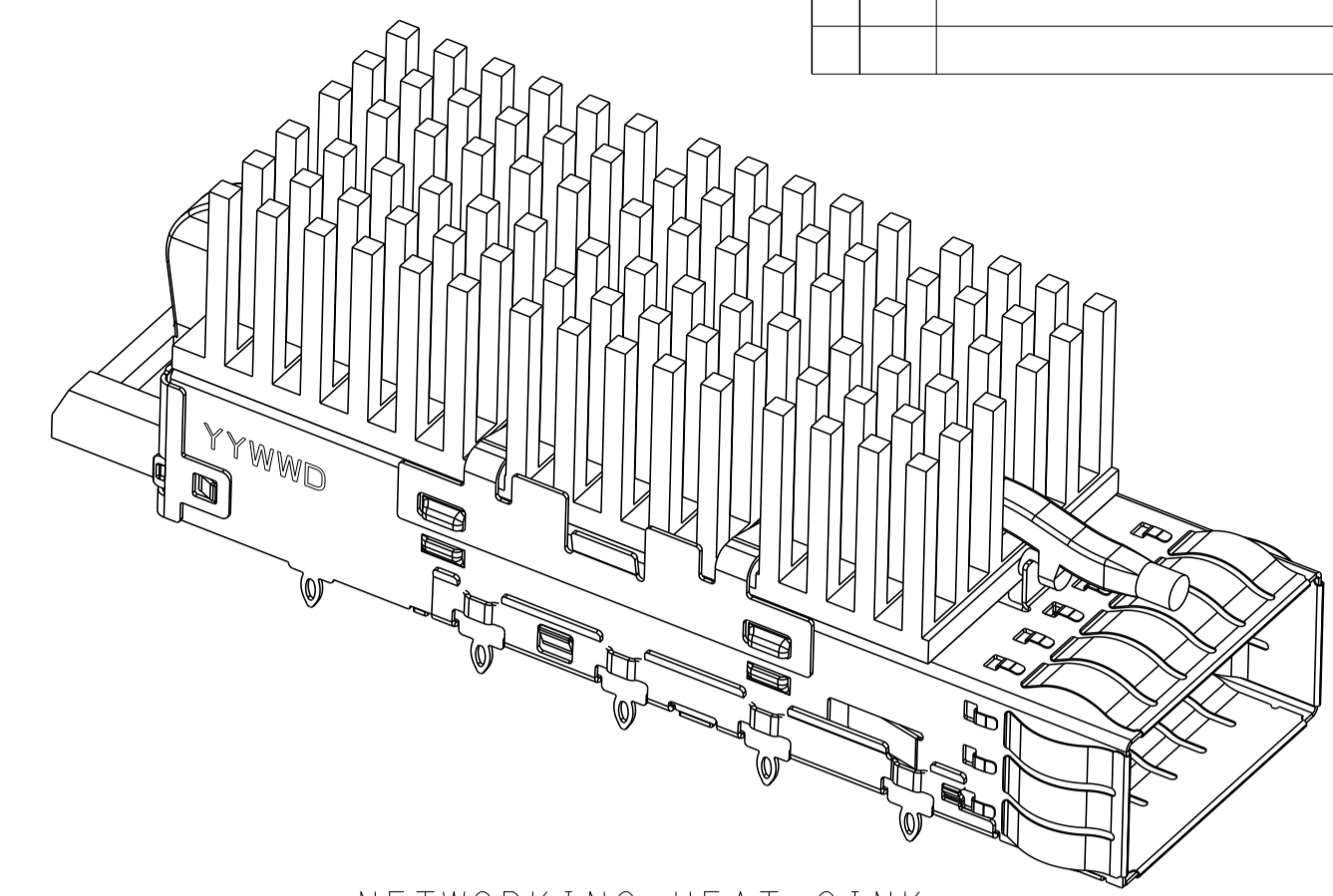
HEAT SINK OPTIONS



PCI HEAT SINK
SCALE 5:2

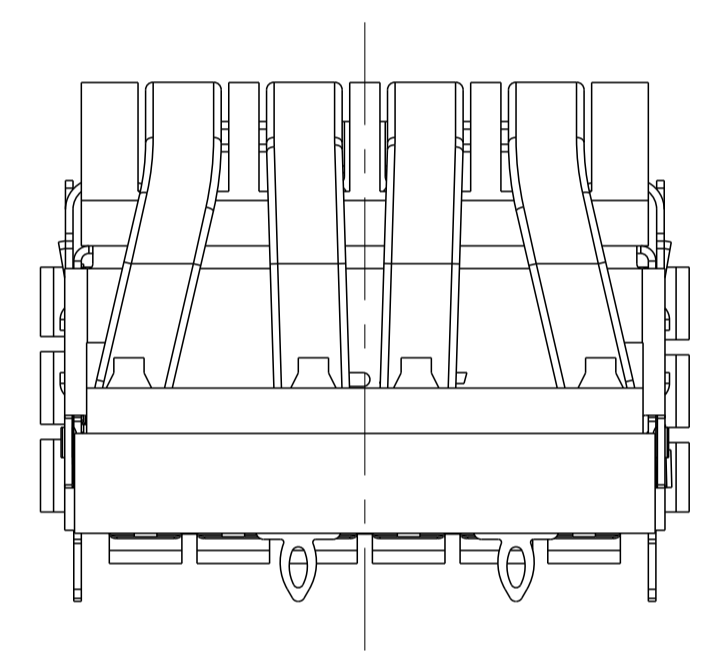


SAN HEAT SINK
SCALE 5:2

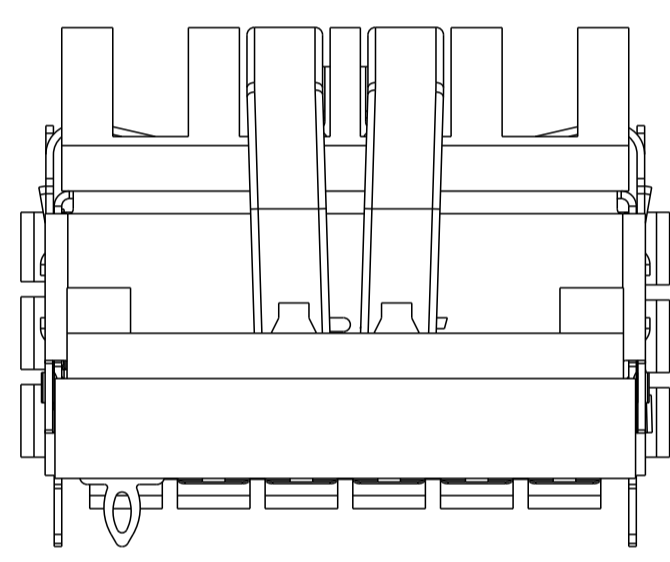


NETWORKING HEAT SINK
SCALE 5:2

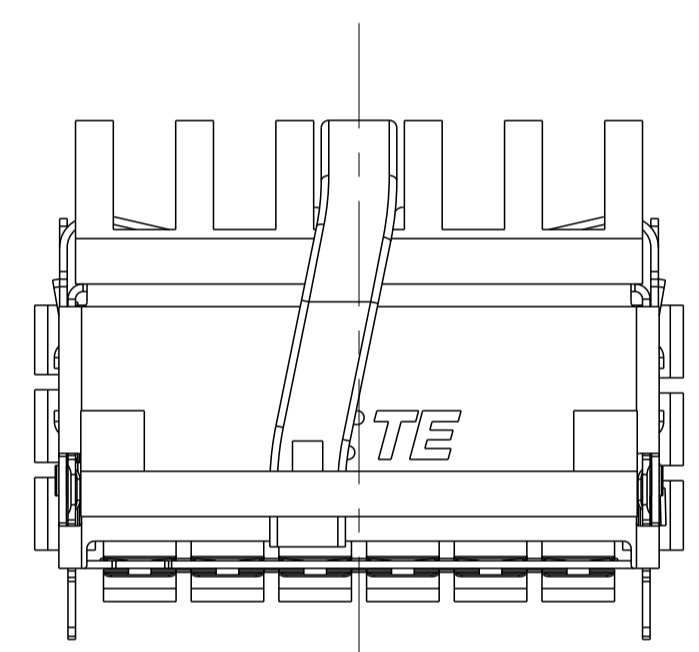
OF REAR LEGS OPTIONS



2 REAR LEGS
SCALE 4:1

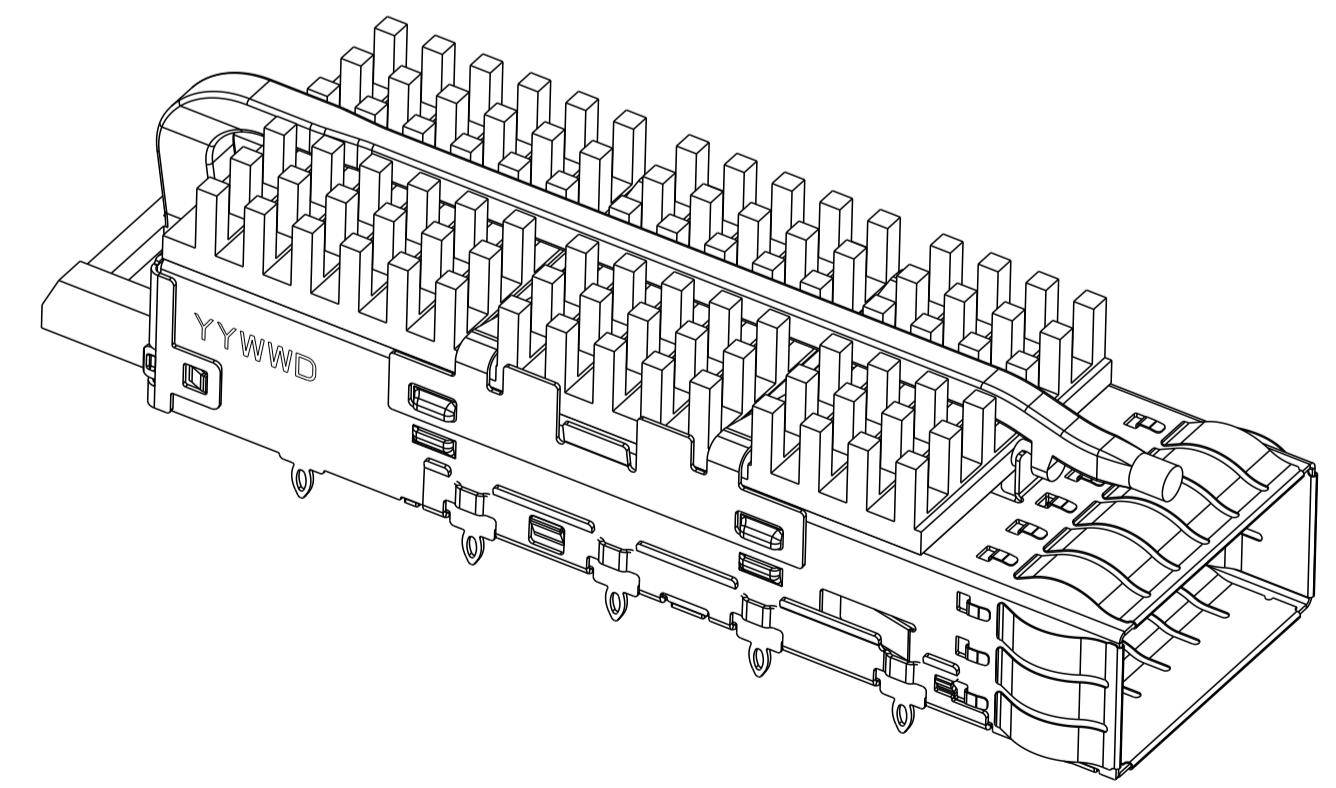


1 REAR LEG
SCALE 4:1

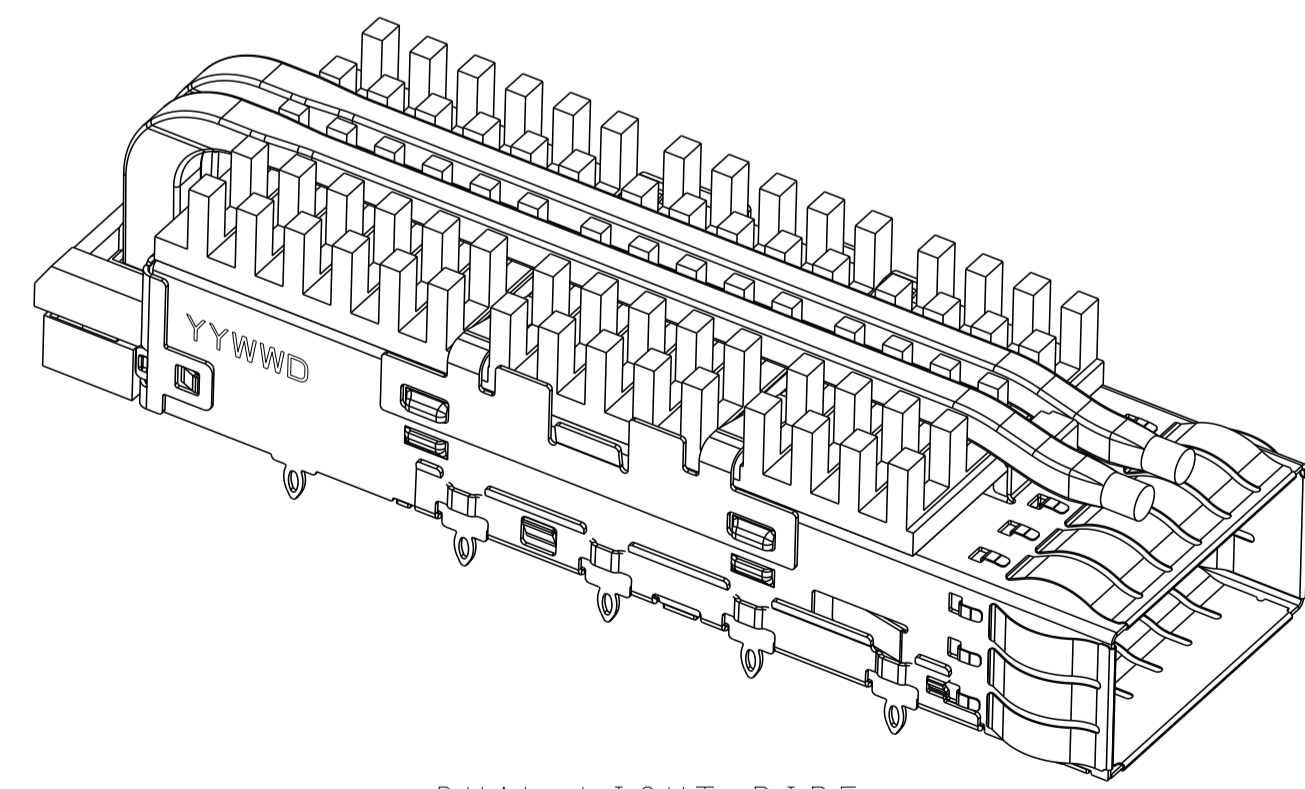


0 REAR LEG
SCALE 4:1

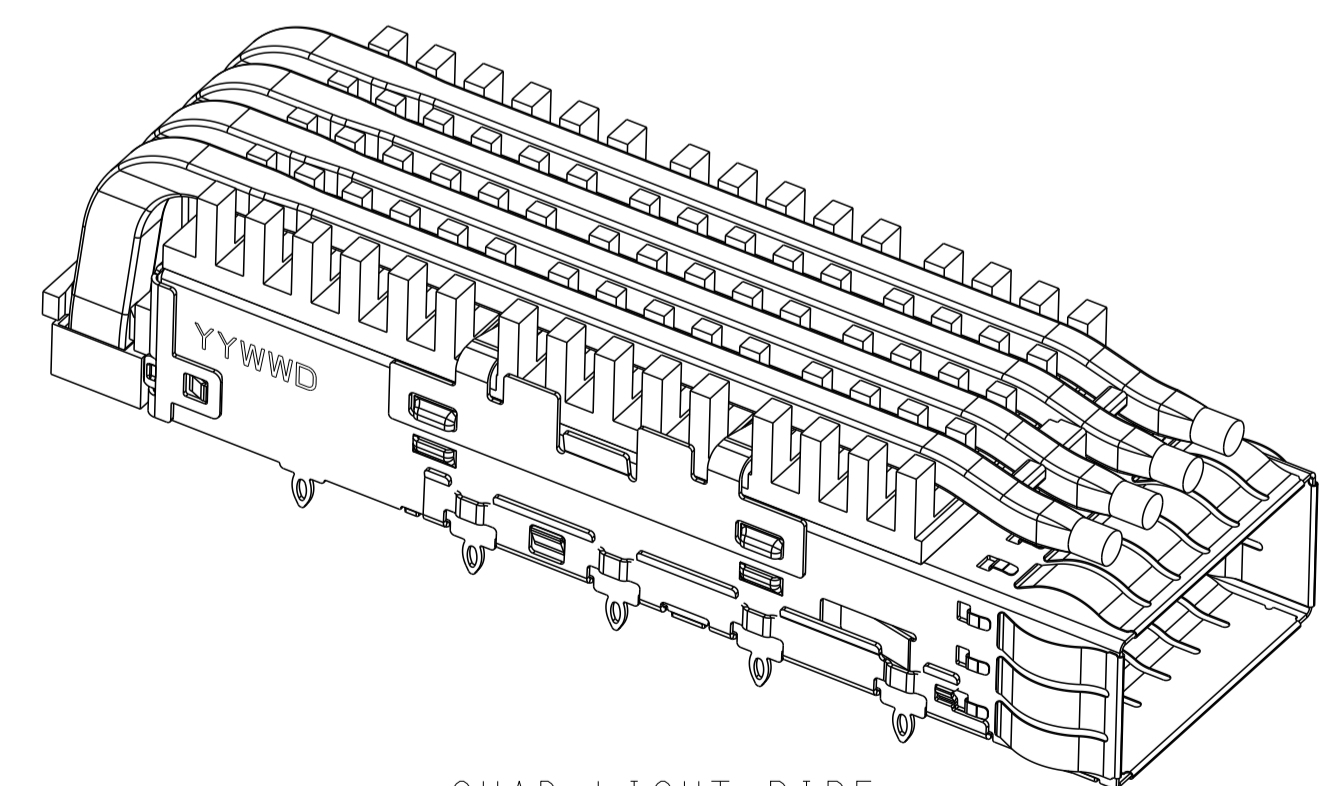
LIGHT PIPE OPTIONS



SINGLE LIGHT PIPE
WITHOUT ORGANIZER
SCALE 5:2



DUAL LIGHT PIPE
SCALE 5:2

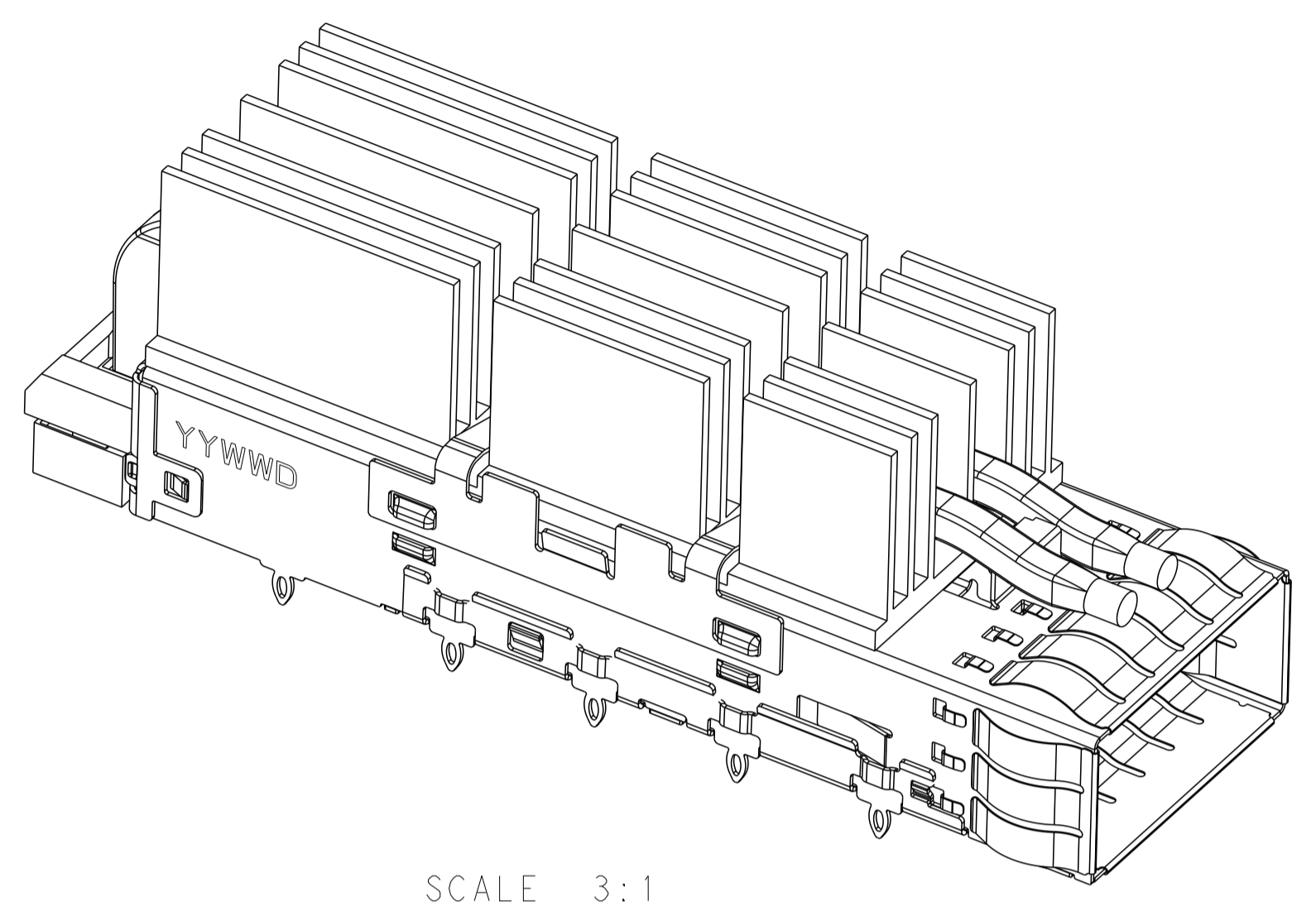


QUAD LIGHT PIPE
SCALE 5:2

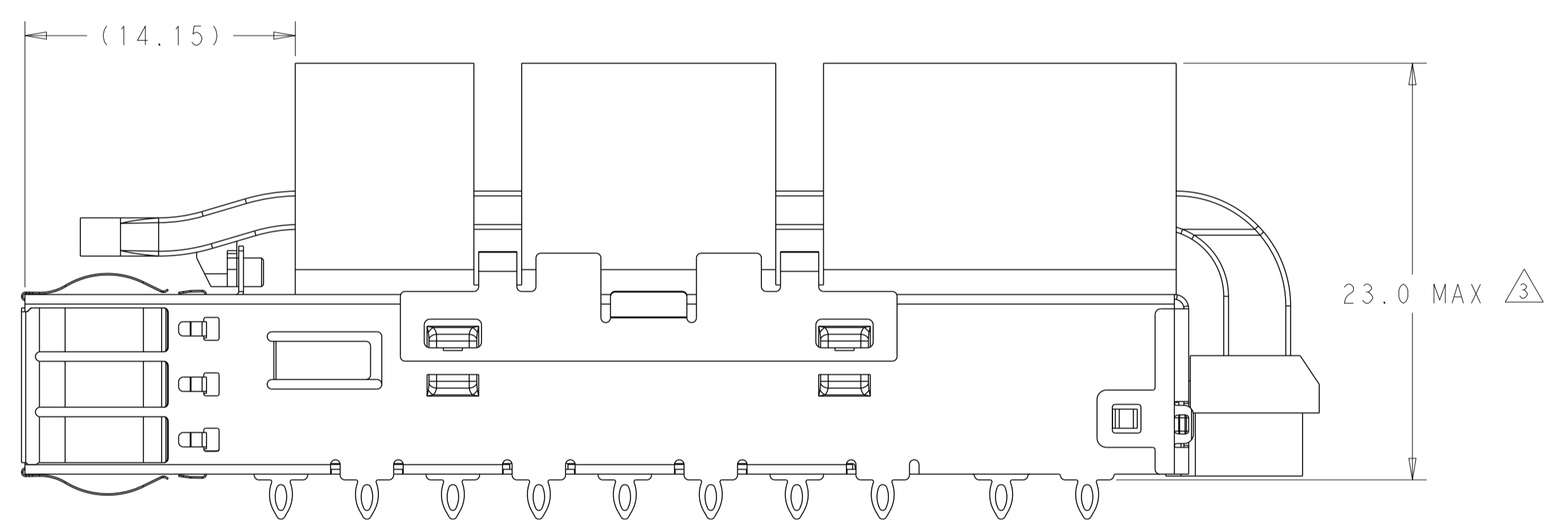
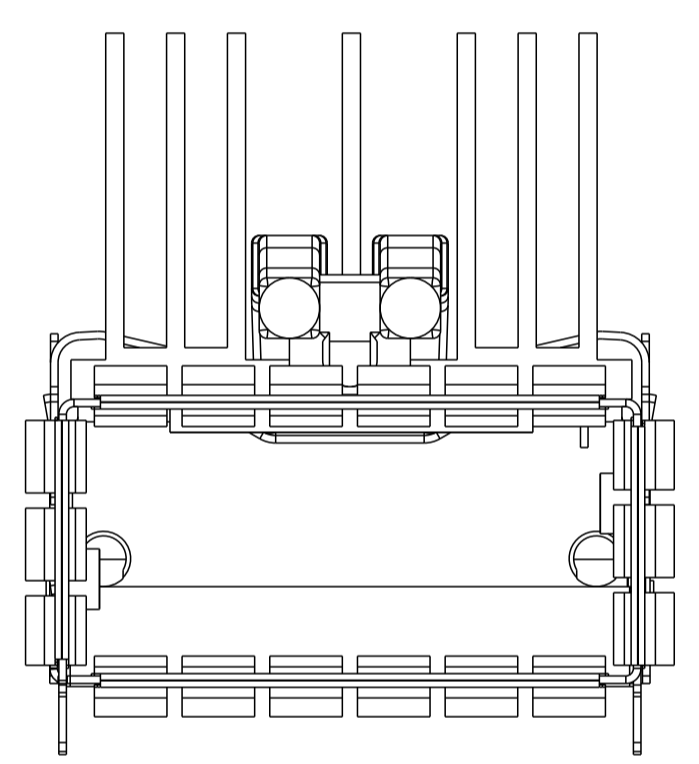
THIS DRAWING IS A CONTROLLED DOCUMENT.		OWN: JASON YANG 07MAR2014	TE Connectivity
		CHK: SEAN HAN 26JAN2016	
DIMENSIONS:		NAME: CAGE ASSEMBLY, QSFP28, THRU BEZEL WITH EMI SPRING FINGER HEAT SINK, LIGHT PIPE	
mm		PRODUCT SPEC: 108-19428	
0 PLC ±0.25 1 PLC ±0.25 2 PLC ±0.25 3 PLC ±0.25 4 PLC ±0.100 ANGLES ±° FINISH ±		APPLICATION SPEC: 114-32023	
MATERIAL:		SIZE: A100779	RESTRICTED TO: -
		WEIGHT: -	CAGE CODE: C=2170705
		CUSTOMER DRAWING	SCALE: 2:1 SHEET 2 OF 9 REV: D1

LOC		DIST		REVISIONS			
P	LTN	DESCRIPTION	DATE	DMN	APVD		
-	-	SEE SHEET 1	-	-	-		

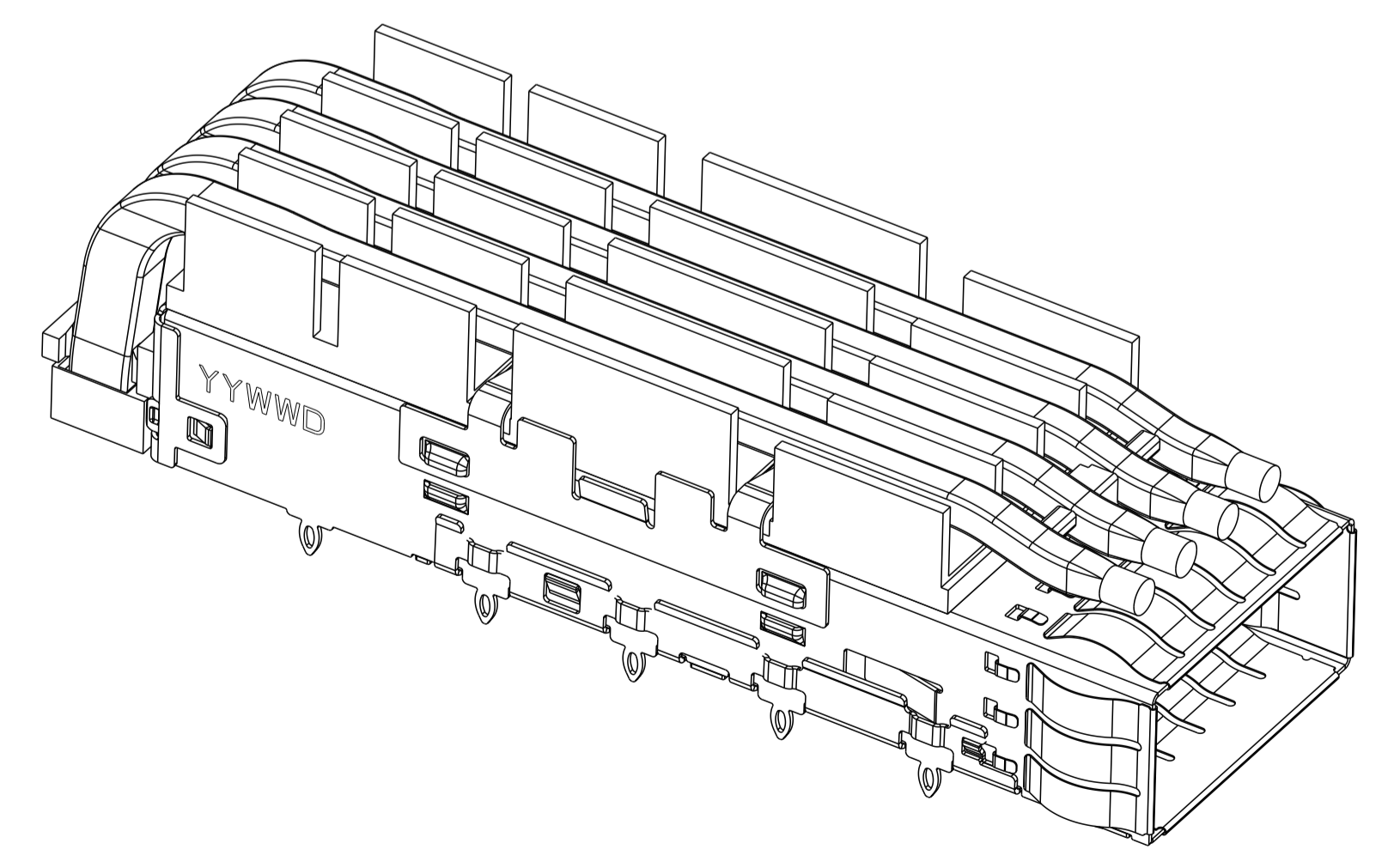
3-2170705-0
 UNMARKED DIMENSIONS SAME AS 2-2170705-6



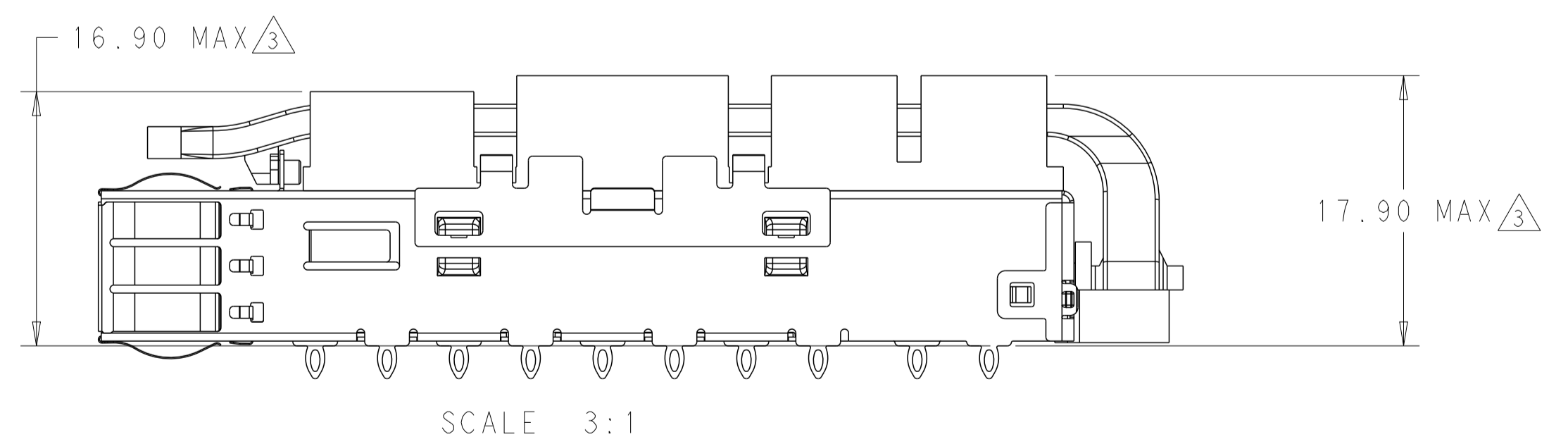
SCALE 3:1



1-2170705-2
 3D VIEW AS SHOWN



SCALE 3:1



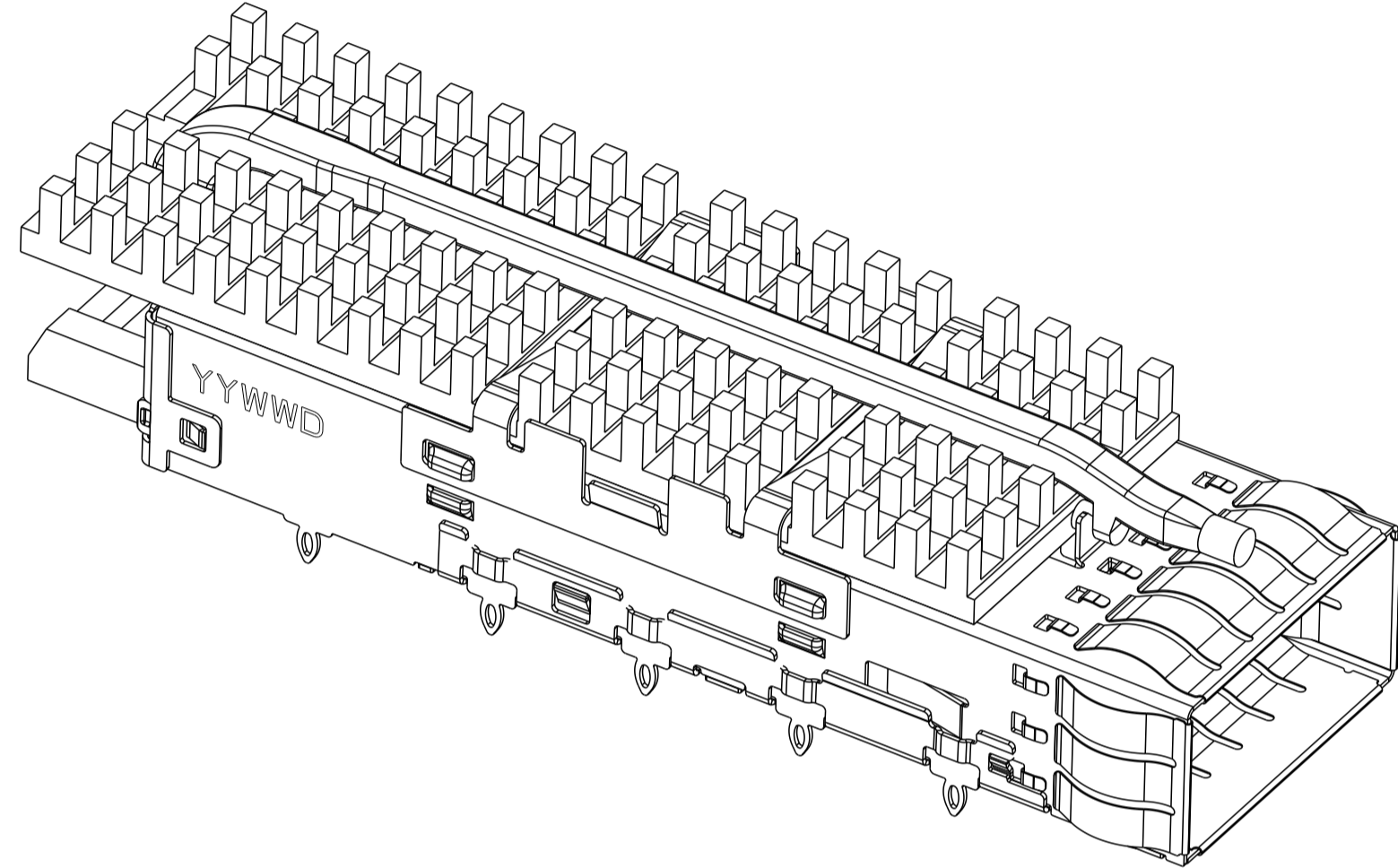
SCALE 3:1

THIS DRAWING IS A CONTROLLED DOCUMENT.		DMN JASON YANG CHK SEAN HAN	07MAR2014 26JAN2016	TE Connectivity
DIMENSIONS:		APVD		
mm	0 PLC ±0.25 1 PLC ±0.25 2 PLC ±0.25 3 PLC ±0.100 4 PLC ± ANGLES ±°	PRODUCT SPEC 108-19428 APPLICATION SPEC 114-32023		NAME CAGE ASSEMBLY, QSFP28, THRU BEZEL WITH EMI SPRING FINGER HEAT SINK, LIGHT PIPE
MATERIAL	FINISH	WEIGHT	SIZE A100779	RESTRICTED TO C=2170705
		CUSTOMER DRAWING		SCALE 2:1 SHEET 3 OF 9 REV D1

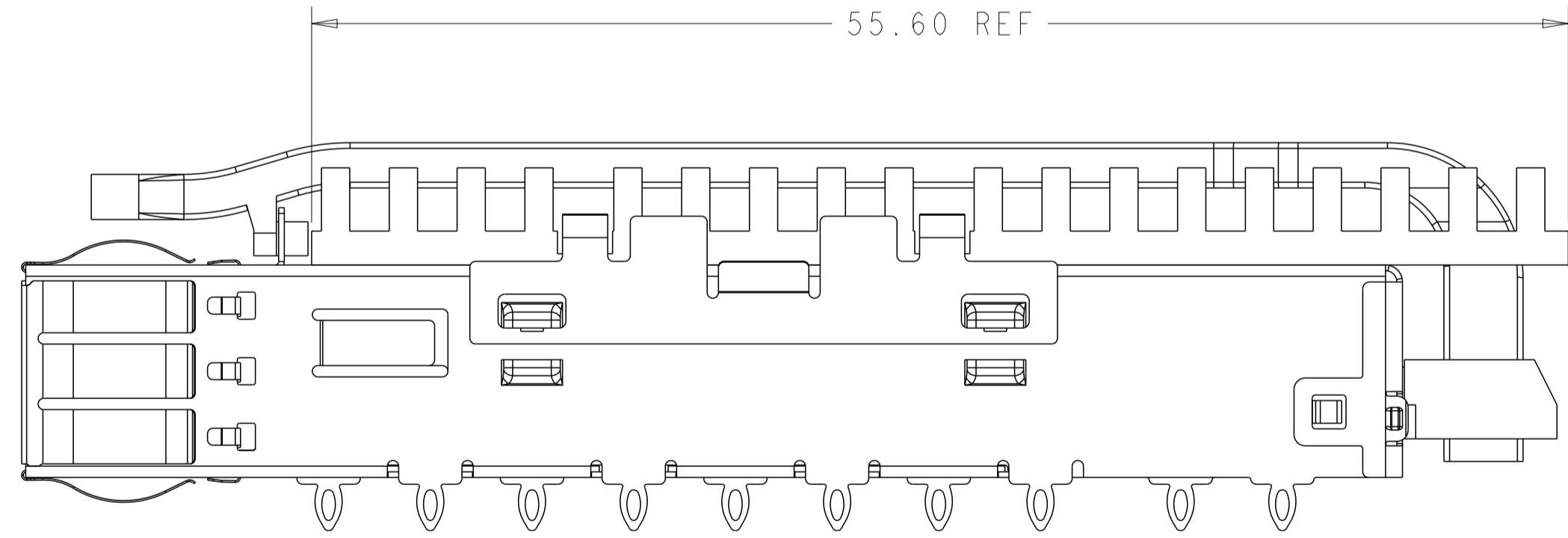
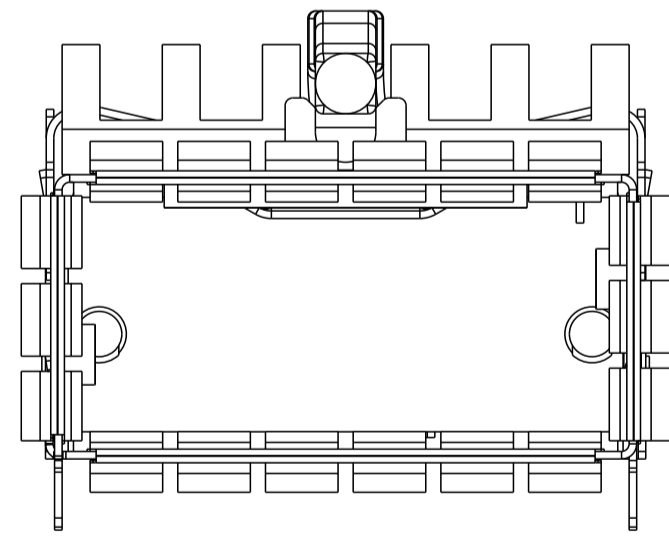
THIS DRAWING IS UNPUBLISHED. RELEASED FOR PUBLICATION
COPYRIGHT copyright dbt ALL RIGHTS RESERVED.

LOC		DIST		REVISIONS			
				REV	DATE	BY	APPV
-	-	-	-				

1-2170705-1
UNMARKED DIMENSIONS SAME AS 2170705-4



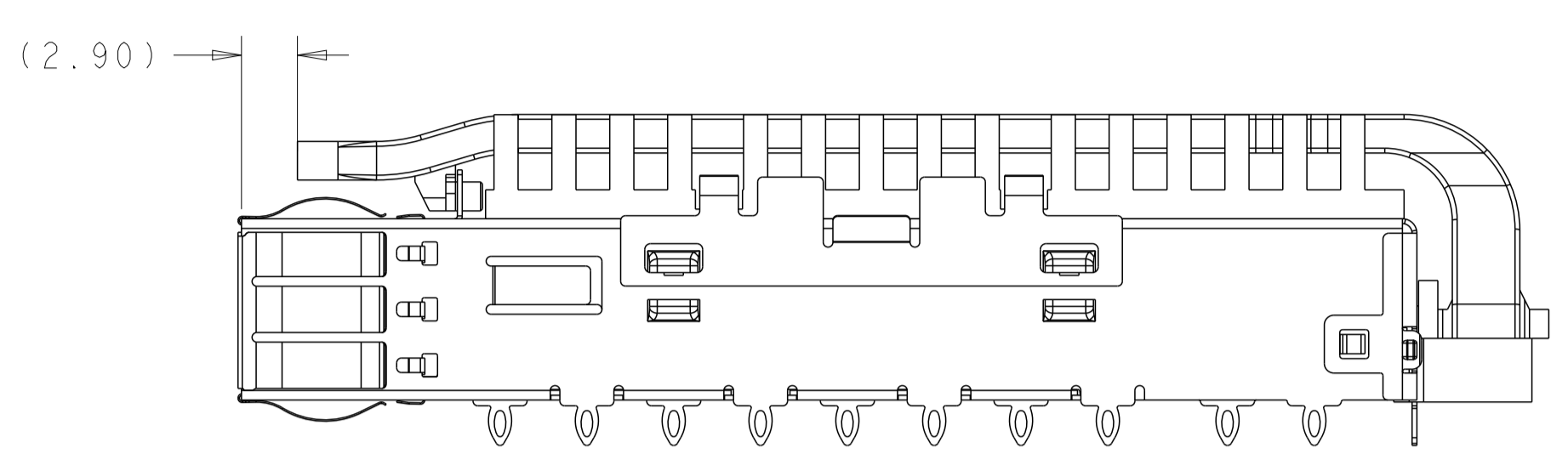
SCALE 3:1



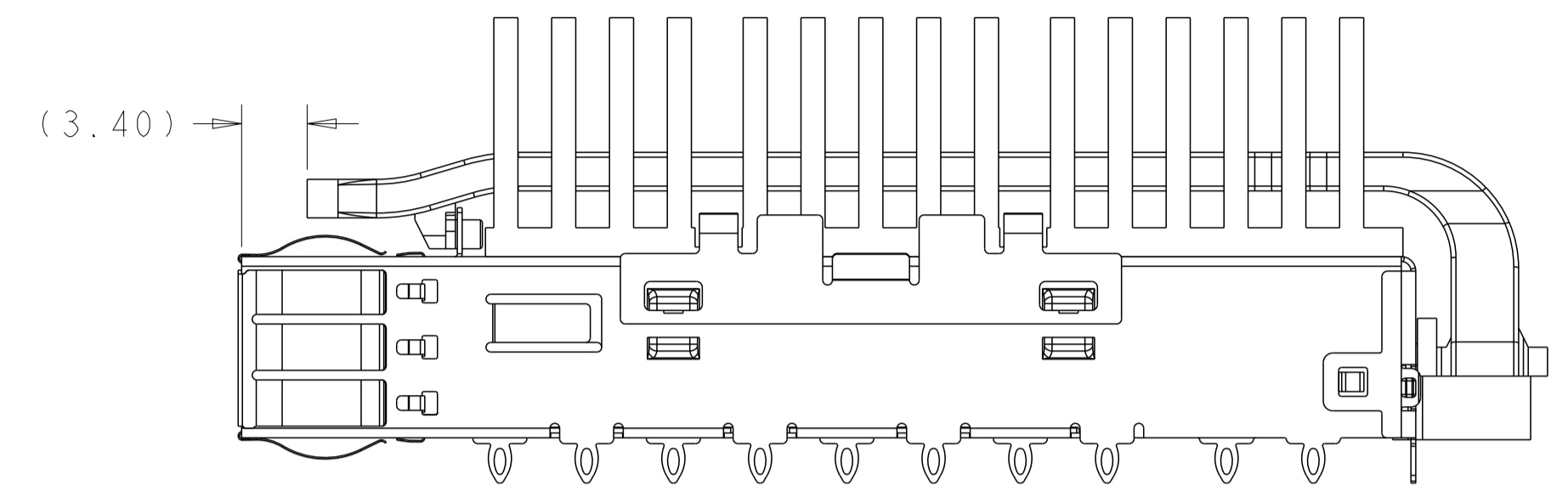
THIS DRAWING IS A CONTROLLED DOCUMENT.		OWN JASON YANG 07MAR2014	
		CHK SEAN HAN 26JAN2016	
DIMENSIONS:		NAME	
mm	0 PLC ±0.25	CAGE ASSEMBLY, QSFP28, THRU BEZEL	
	1 PLC ±0.25	WITH EMI SPRING FINGER	
	2 PLC ±0.20	HEAT SINK, LIGHT PIPE	
	3 PLC ±0.100	RESTRICTED TO	
	4 PLC ±	SIZE CAGE CODE DRAWING NO	
	ANGLES ±°	A100779C=2170705	
	FINISH -	WEIGHT -	
MATERIAL -		CUSTOMER DRAWING	
		SCALE 2:1	SHEET 4 OF 9
		REV D1	

LOC		DIST		REVISIONS			
P	LTN	DESCRIPTION	DATE	DMN	APVD		
-	-	SEE SHEET 1	-	-	-		

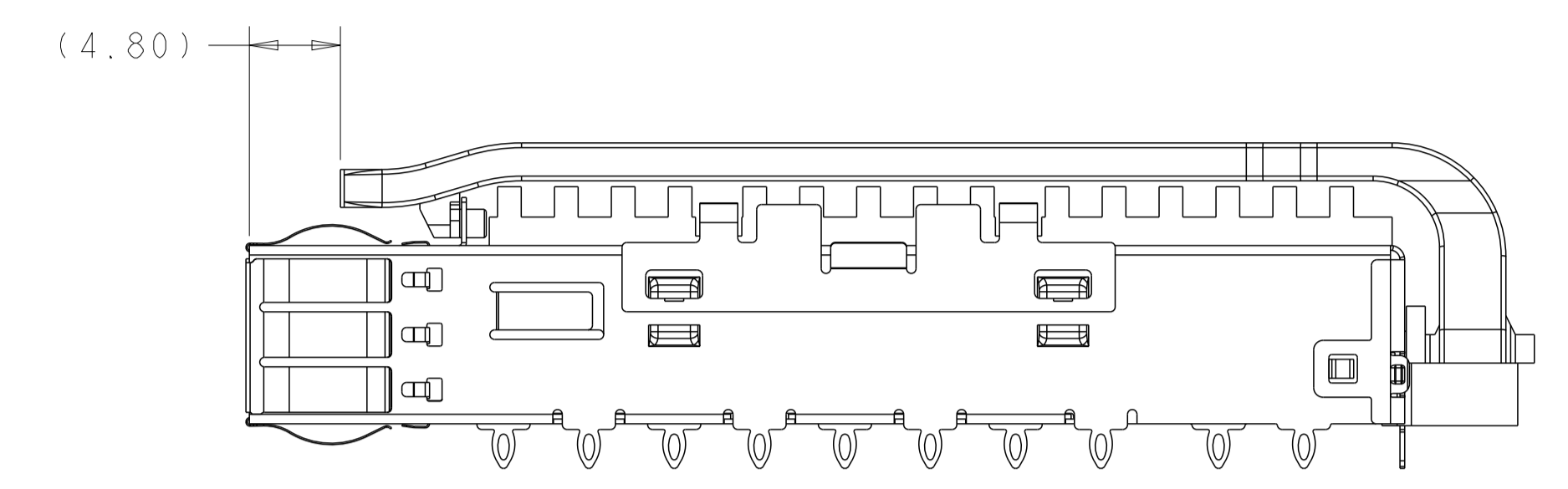
LIGHT PIPE LENGTH OPTIONS



WITH LIGHT PIPE LENGTH B=2.9
SCALE 3:1



WITH LIGHT PIPE LENGTH B=3.4
SCALE 3:1



WITH LIGHT PIPE LENGTH B=4.8
SCALE 3:1

BOM

4.8	0	16.00	PIN	SAN	DUAL LP	6-2170705-3
5.2	1	16.00	PIN	SAN	DUAL LP	6-2170705-2
4.8	2	13.7	PIN	PCI	QUAD LP	6-2170705-1
3.4	1	23.0	PIN	NETWORKING	QUAD LP	5-2170705-9
2.9	1	16.0	PIN	SAN	COATED QUAD LP	5-2170705-8
	1	13.7	PIN	PCI	COATED QUAD LP	5-2170705-7
	0	31.6	PIN	CUSTOMIZED	QUAD LP	5-2170705-1
	1	23.0	PIN	NETWORKING	QUAD LP	4-2170705-9
	1	16.0	PIN	SAN	QUAD LP	4-2170705-8
	1	13.7	PIN	PCI	QUAD LP	4-2170705-7
	0	23.0	PIN	NETWORKING	QUAD LP	4-2170705-6
	0	16.0	PIN	SAN	QUAD LP	4-2170705-5
	0	13.7	PIN	PCI	QUAD LP	4-2170705-4
	2	23.0	PIN	NETWORKING	QUAD LP	4-2170705-3
	2	16.0	PIN	SAN	QUAD LP	4-2170705-2
	2	13.7	PIN	PCI	QUAD LP	4-2170705-1
	0	17.9	FIN	NETWORKING	QUAD LP	1-2170705-2
	0	23.0	FIN	NETWORKING	DUAL LP	3-2170705-0
	1	23.0	PIN	NETWORKING	DUAL LP	2-2170705-9
	1	16.0	PIN	SAN	DUAL LP	2-2170705-8
	1	13.7	PIN	PCI	DUAL LP	2-2170705-7
	0	23.0	PIN	NETWORKING	DUAL LP	2-2170705-6
	0	16.0	PIN	SAN	DUAL LP	2-2170705-5
	0	13.7	PIN	PCI	DUAL LP	2-2170705-4
	2	23.0	PIN	NETWORKING	DUAL LP	2-2170705-3
	2	16.0	PIN	SAN	DUAL LP	2-2170705-2
	2	13.7	PIN	PCI	DUAL LP	2-2170705-1
	0	13.7	PIN	PCI	SINGLE LP	1-2170705-1
	1	23.0	PIN	NETWORKING	SINGLE LP(COATED)	1-2170705-0
	1	23.0	PIN	NETWORKING	SINGLE LP	2170705-9
	1	16.0	PIN	SAN	SINGLE LP	2170705-8
	1	13.7	PIN	PCI	SINGLE LP	2170705-7
0	23.0	PIN	NETWORKING	SINGLE LP	2170705-6	
0	16.0	PIN	SAN	SINGLE LP	2170705-5	
0	13.7	PIN	PCI	SINGLE LP	2170705-4	
2	23.0	PIN	NETWORKING	SINGLE LP	2170705-3	
2	16.0	PIN	SAN	SINGLE LP	2170705-2	
2	13.7	PIN	PCI	SINGLE LP	2170705-1	
DIM B	# REAR PINS	DIM A	HEAT SINK TYPE	APPLICATION (HEAT SINK OPTION)	LIGHT PIPE OPTION	PART NUMBER

THIS DRAWING IS A CONTROLLED DOCUMENT.

DMN: JASON YANG 07MAR2014
 CHK: SEAN HAN 26JAN2016

APVD: SEAN HAN

PRODUCT SPEC: 108-19428
 APPLICATION SPEC: 114-32023

NAME: CAGE ASSEMBLY, QSP28, THRU BEZEL WITH EMI SPRING FINGER HEAT SINK, LIGHT PIPE

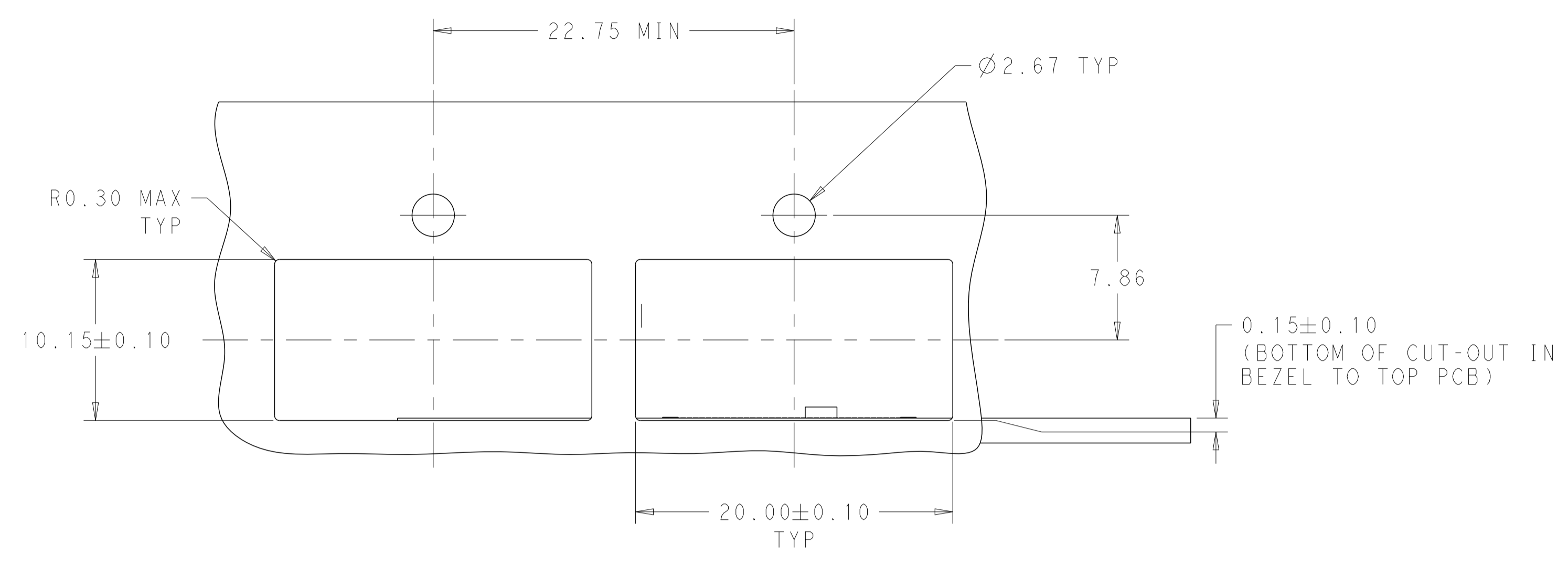
SIZE: A1 CAGE CODE: 100779 DRAWING NO: C=2170705

RESTRICTED TO: -

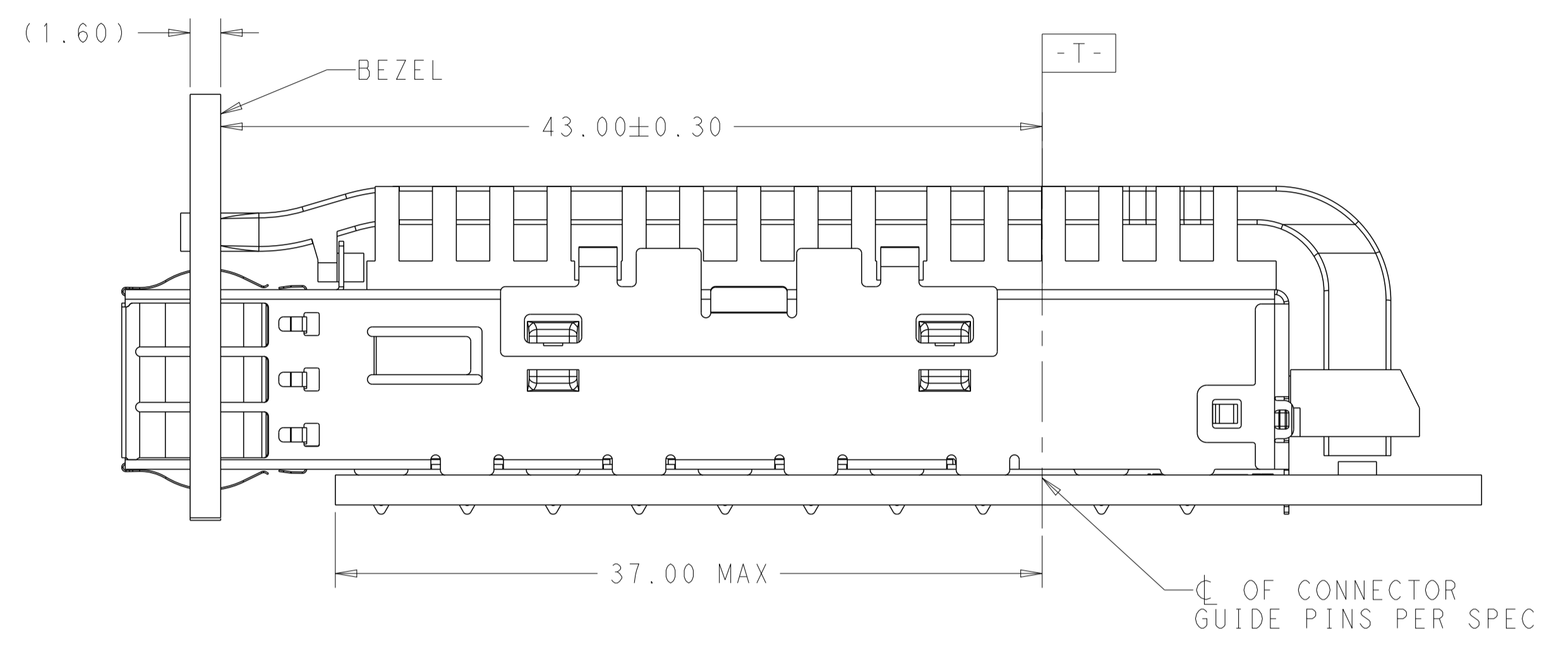
MATERIAL: - FINISH: - WEIGHT: -

CUSTOMER DRAWING SCALE: 2:1 SHEET: 5 OF 9 REV: D1

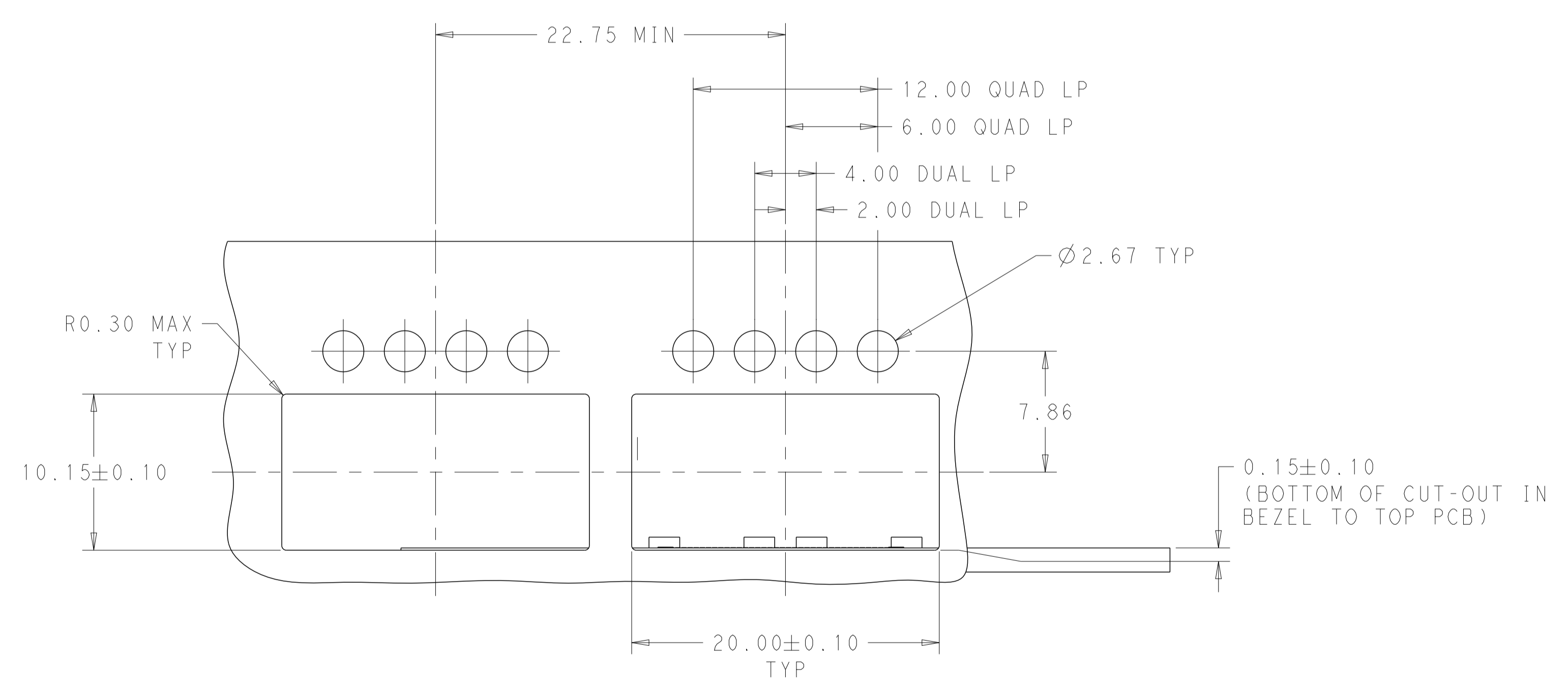
LOC	DIST	REV	DATE	BY	APPV
-	-	1	SEE SHEET 1	-	-



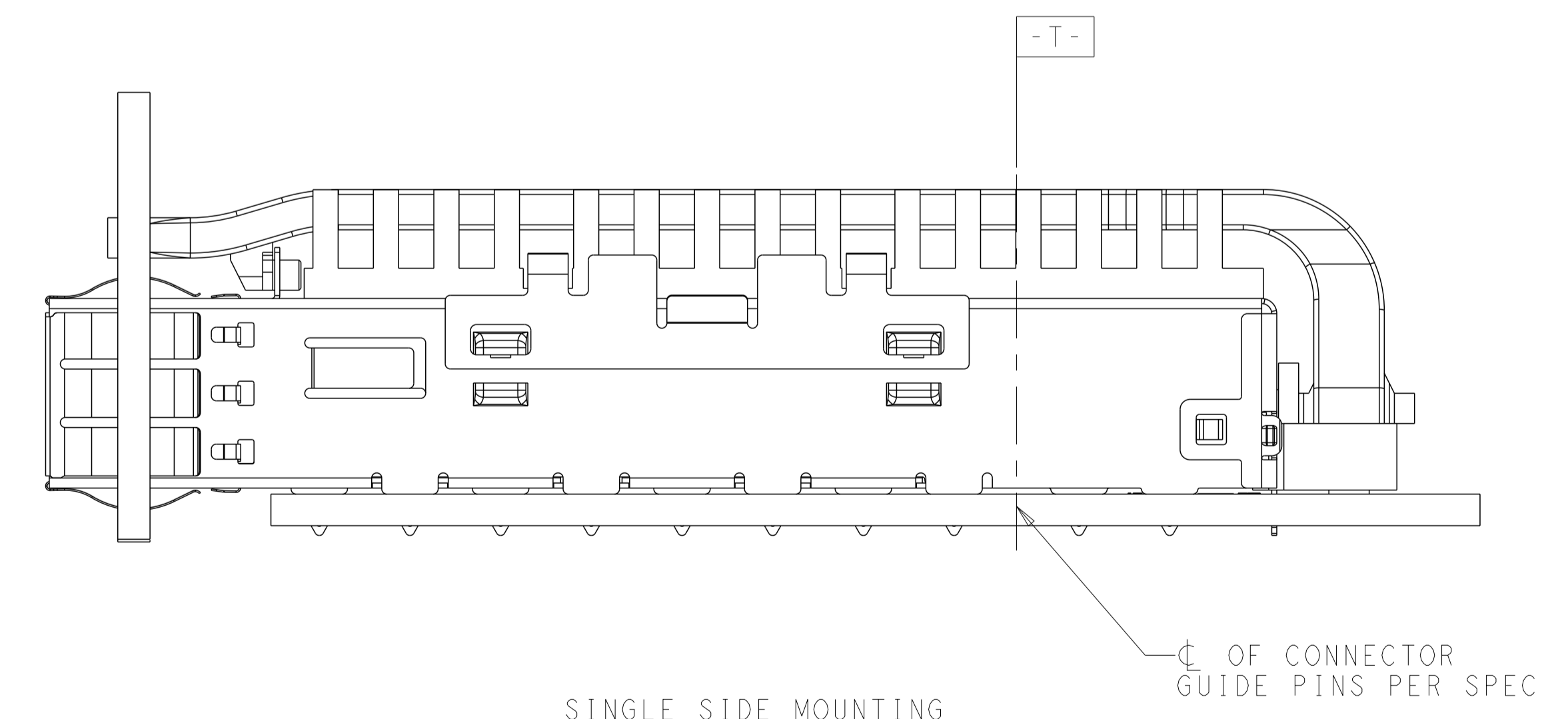
SINGLE LIGHT PIPE TYPE



SINGLE SIDE MOUNTING
SCALE 4:1



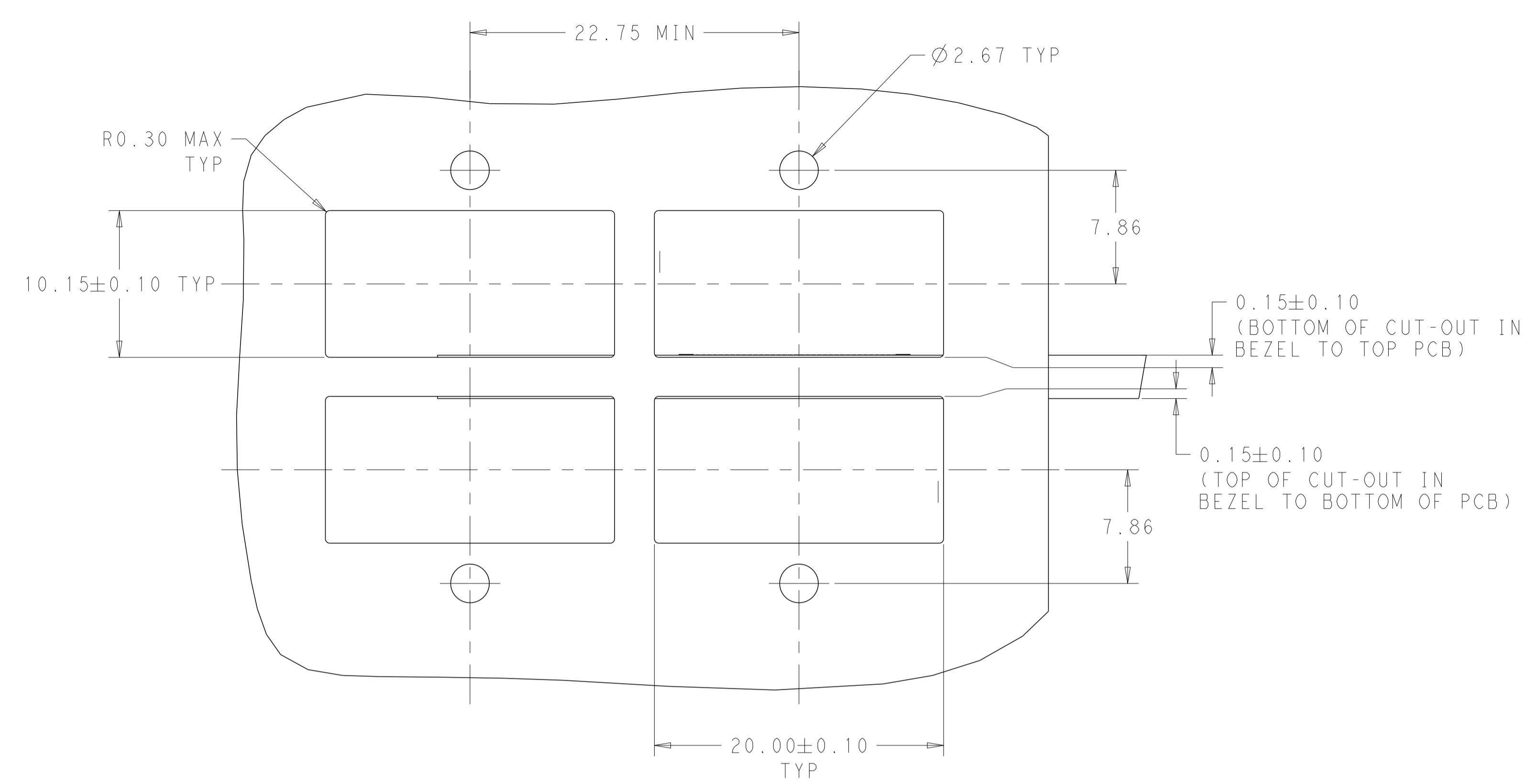
DUAL/QUAD LIGHT PIPE TYPE



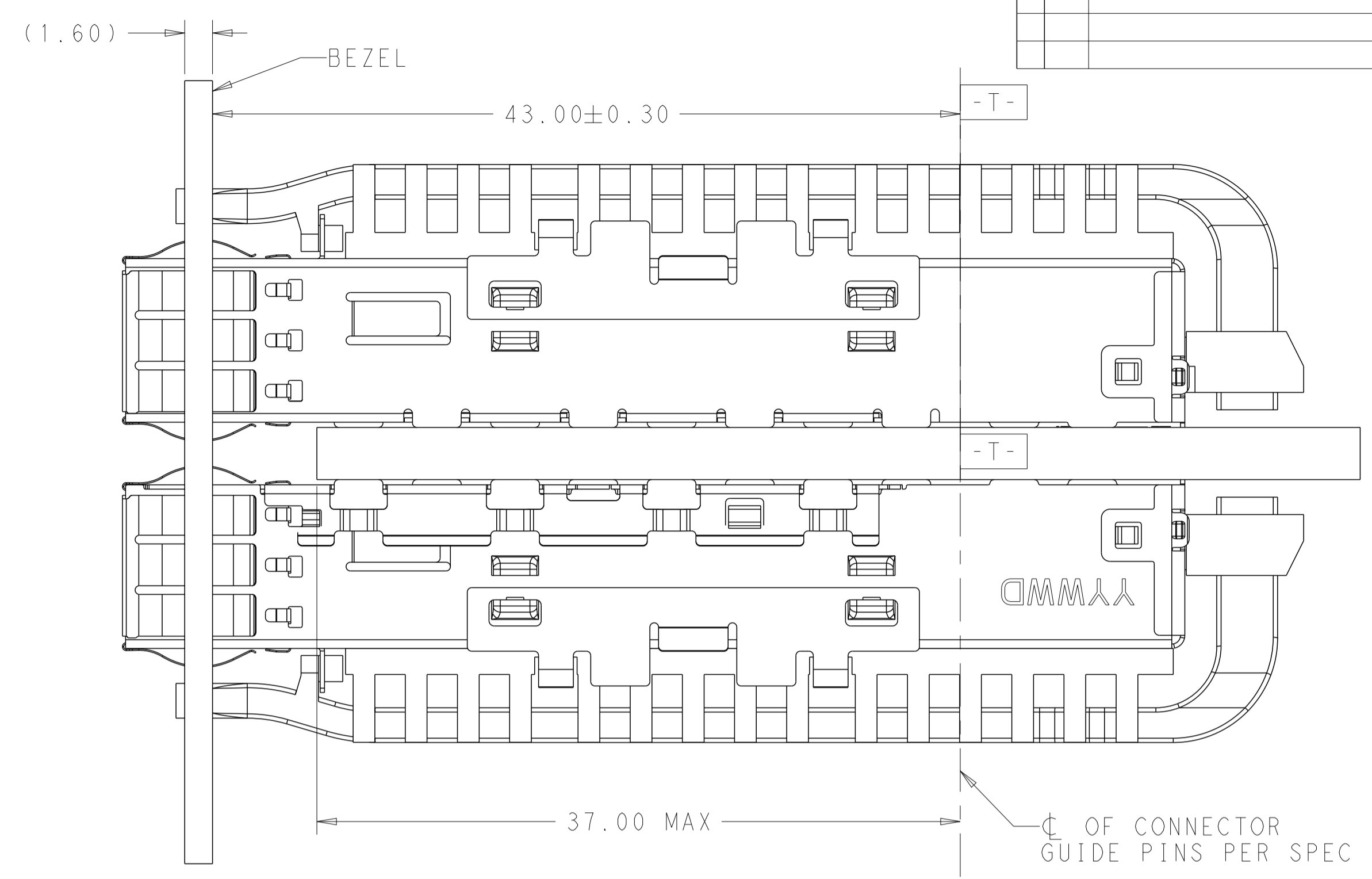
SINGLE SIDE MOUNTING
SCALE 4:1

THIS DRAWING IS A CONTROLLED DOCUMENT.		OWN: JASON YANG 07MAR2014	TE Connectivity
DIMENSIONS: mm		CHK: SEAN HAN 26JAN2016	
TOLERANCES UNLESS OTHERWISE SPECIFIED:		APVD: SEAN HAN	NAME: CAGE ASSEMBLY, QSFP28, THRU BEZEL WITH EMI SPRING FINGER HEAT SINK, LIGHT PIPE
0 PLC	±0.25	PRODUCT SPEC	SIZE: 108-19428
1 PLC	±0.25	APPLICATION SPEC	SCALE: 2:1
2 PLC	±0.25	RESTRICTED TO	SHEET 6 OF 9
3 PLC	±0.25		REV D1
4 PLC	±0.100		
ANGLES	±°		
MATERIAL		WEIGHT	
FINISH		CUSTOMER DRAWING	

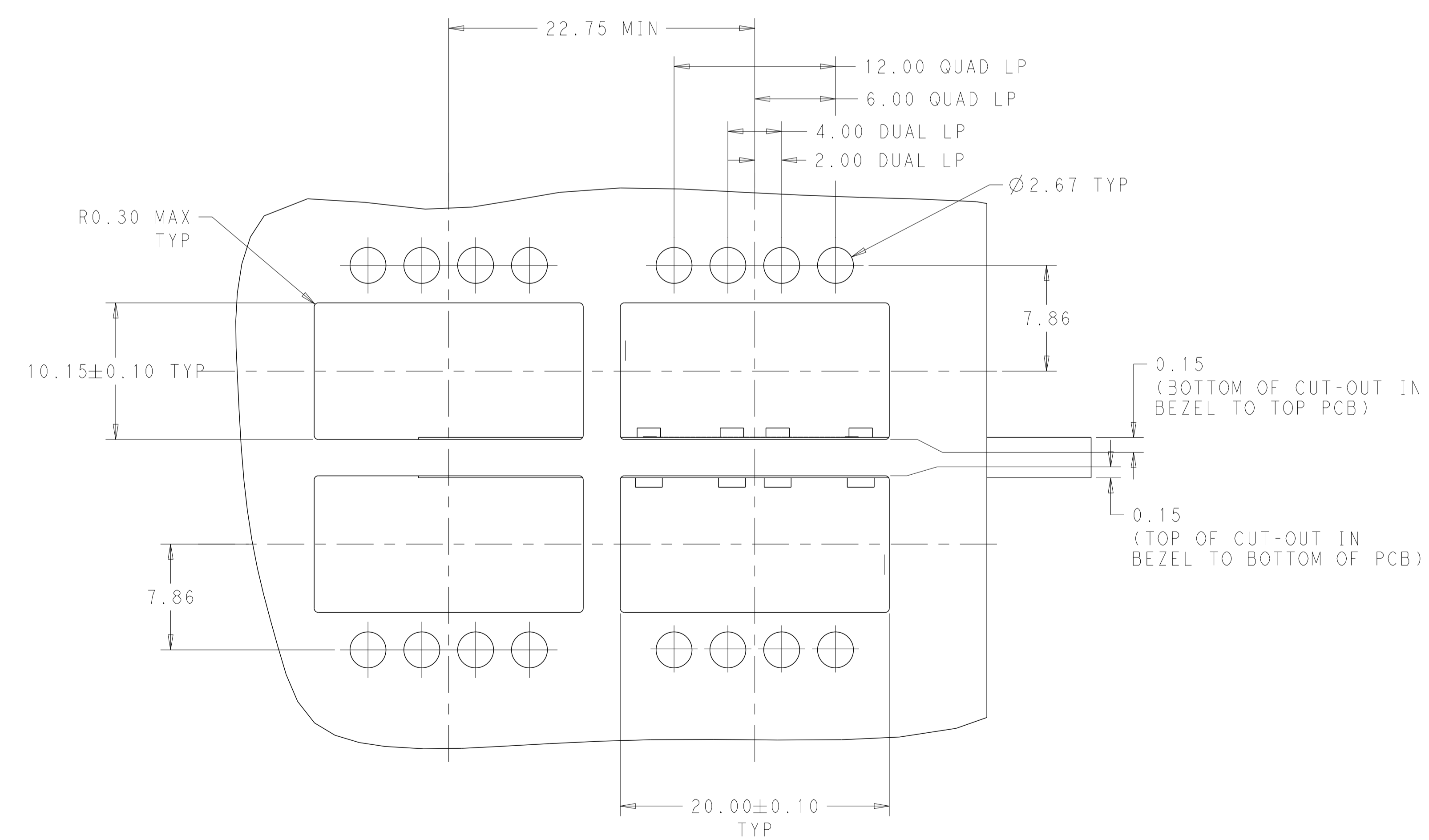
LOC		DIST		REVISIONS		
P	LTN	DESCRIPTION	DATE	DMN	APVD	
-	-	SEE SHEET 1	-	-	-	-



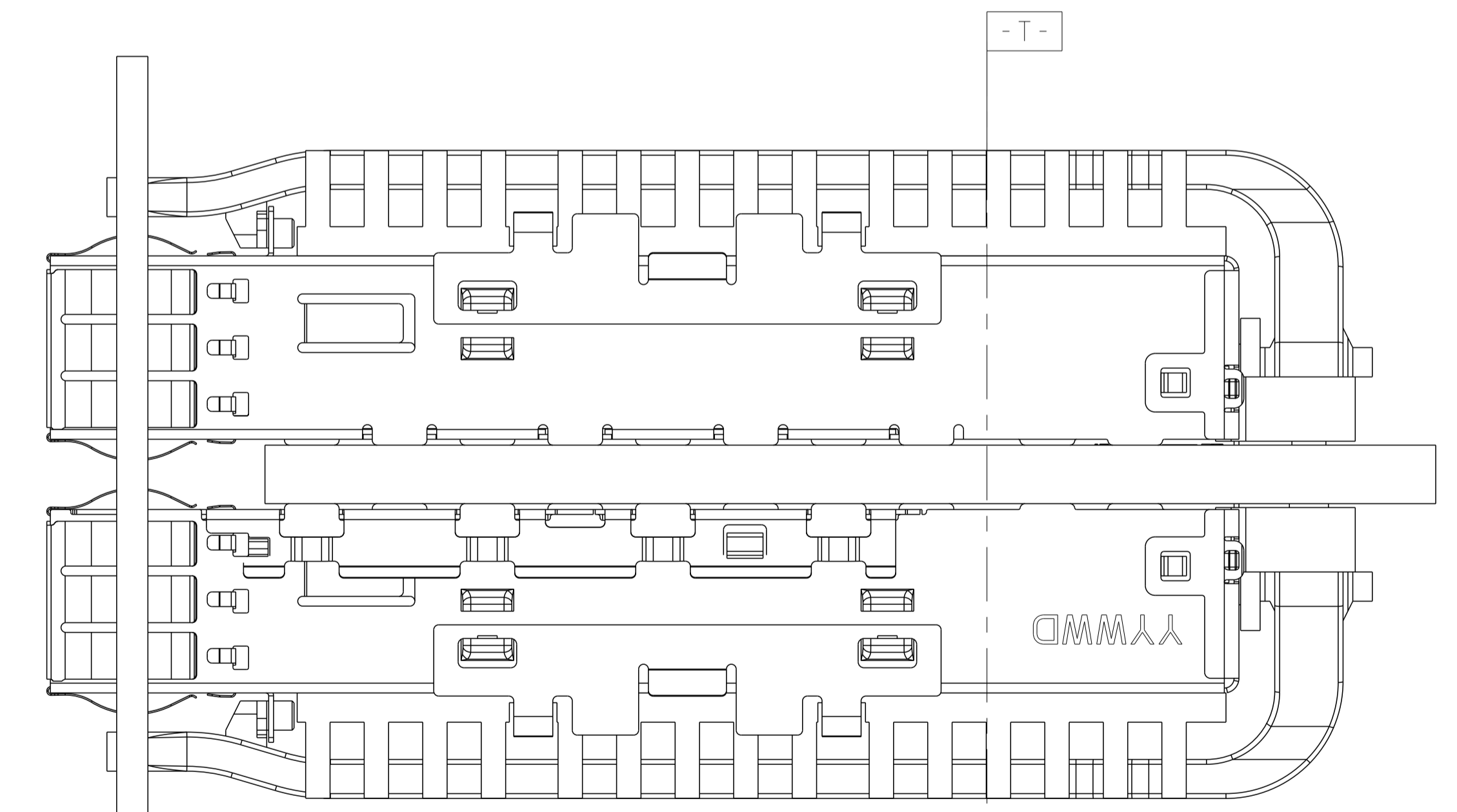
SINGLE LIGHT PIPE TYPE



BELLY TO BELLY MOUNTING SCALE 4:1



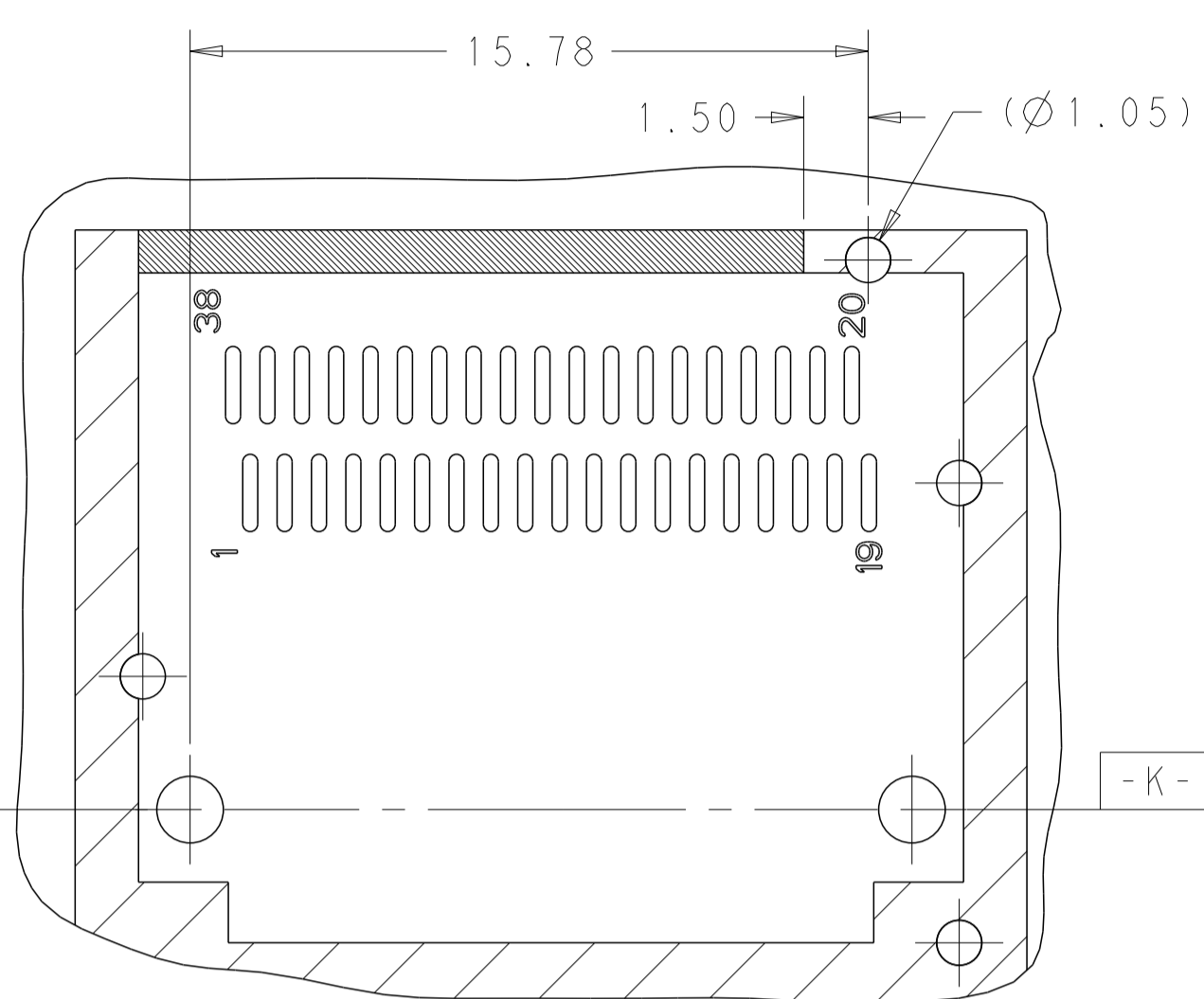
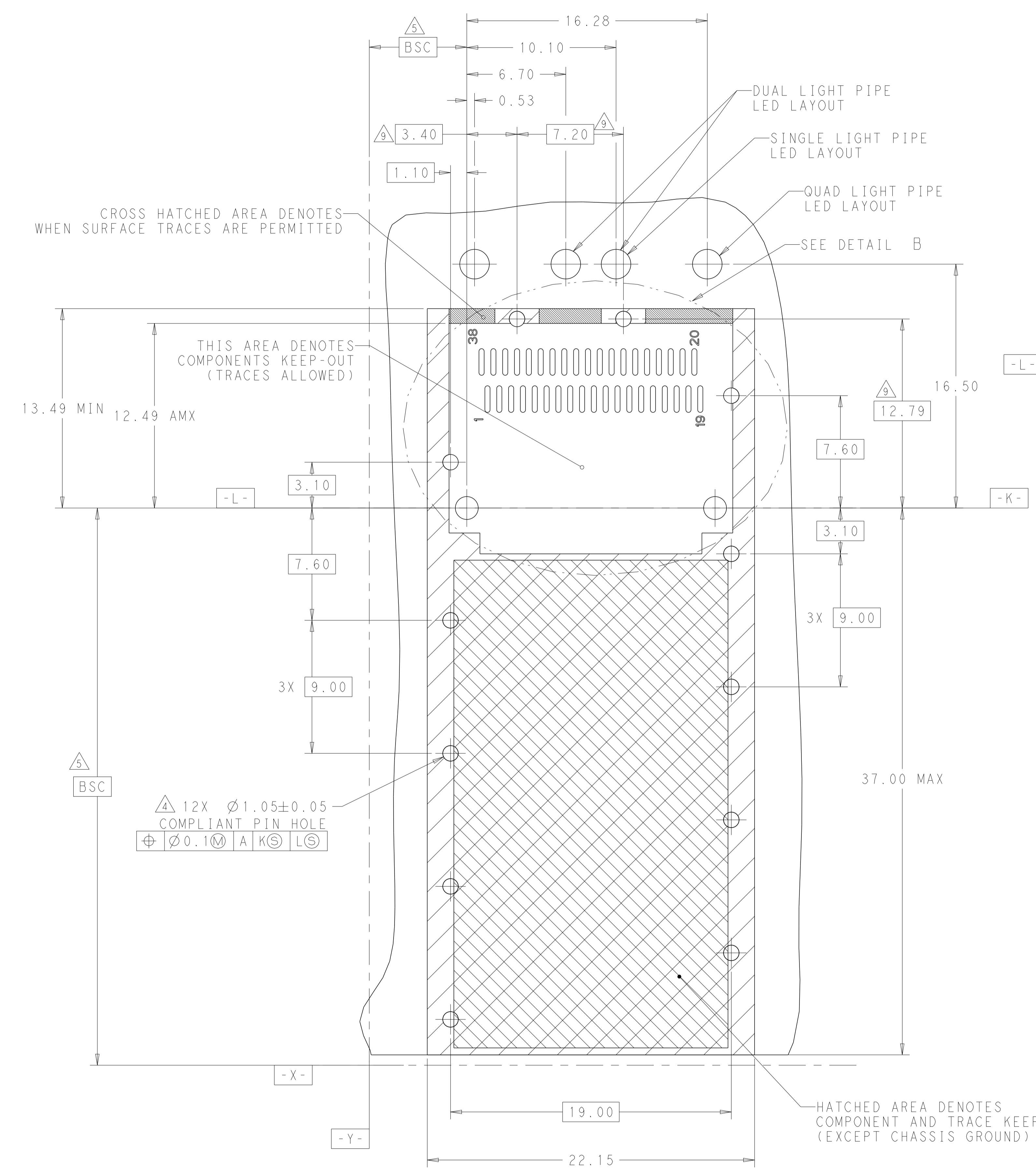
DUAL/QUAD LIGHT PIPE TYPE



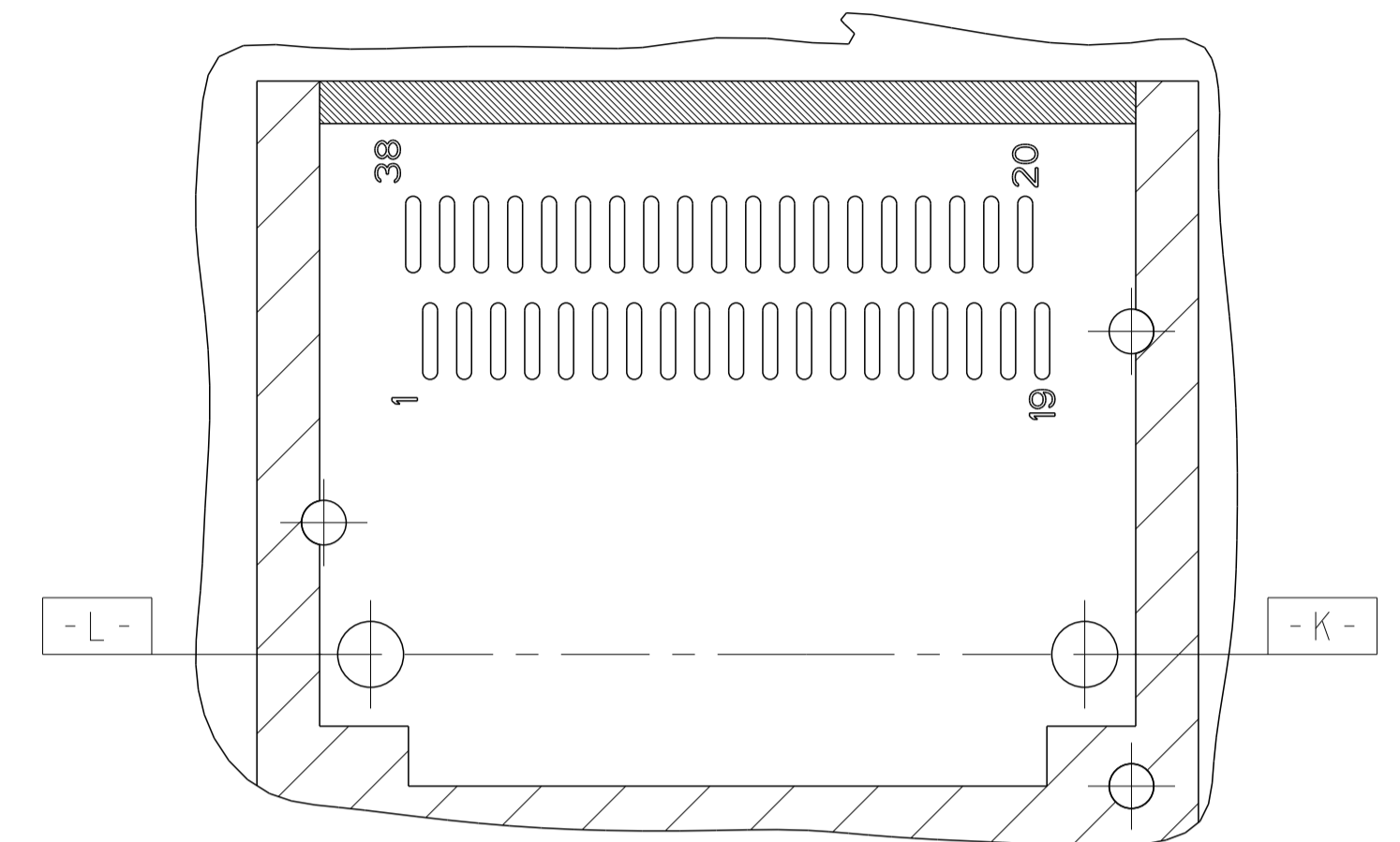
BELLY TO BELLY MOUNTING SCALE 4:1

THIS DRAWING IS A CONTROLLED DOCUMENT.		DMN: JASON YANG 07MAR2014	TE Connectivity
		CHK: SEAN HAN 26JAN2016	
DIMENSIONS:		NAME: CAGE ASSEMBLY, QSPF28, THRU BEZEL WITH EMI SPRING FINGER HEAT SINK, LIGHT PIPE	
mm		PRODUCT SPEC: 108-19428	
		APPLICATION SPEC: 114-32023	
TOLERANCES UNLESS OTHERWISE SPECIFIED:		SIZE: A1	
0 PLC	±0.25	CAGE CODE: 2170705	
1 PLC	±0.25	DRAWING NO: 2170705	
2 PLC	±0.25	RESTRICTED TO: -	
3 PLC	±0.25	SCALE: 2:1	
4 PLC	±0.100	SHEET: 7 of 9	
ANGLES	±°	REV: D1	
FINISH	±"	CUSTOMER DRAWING	

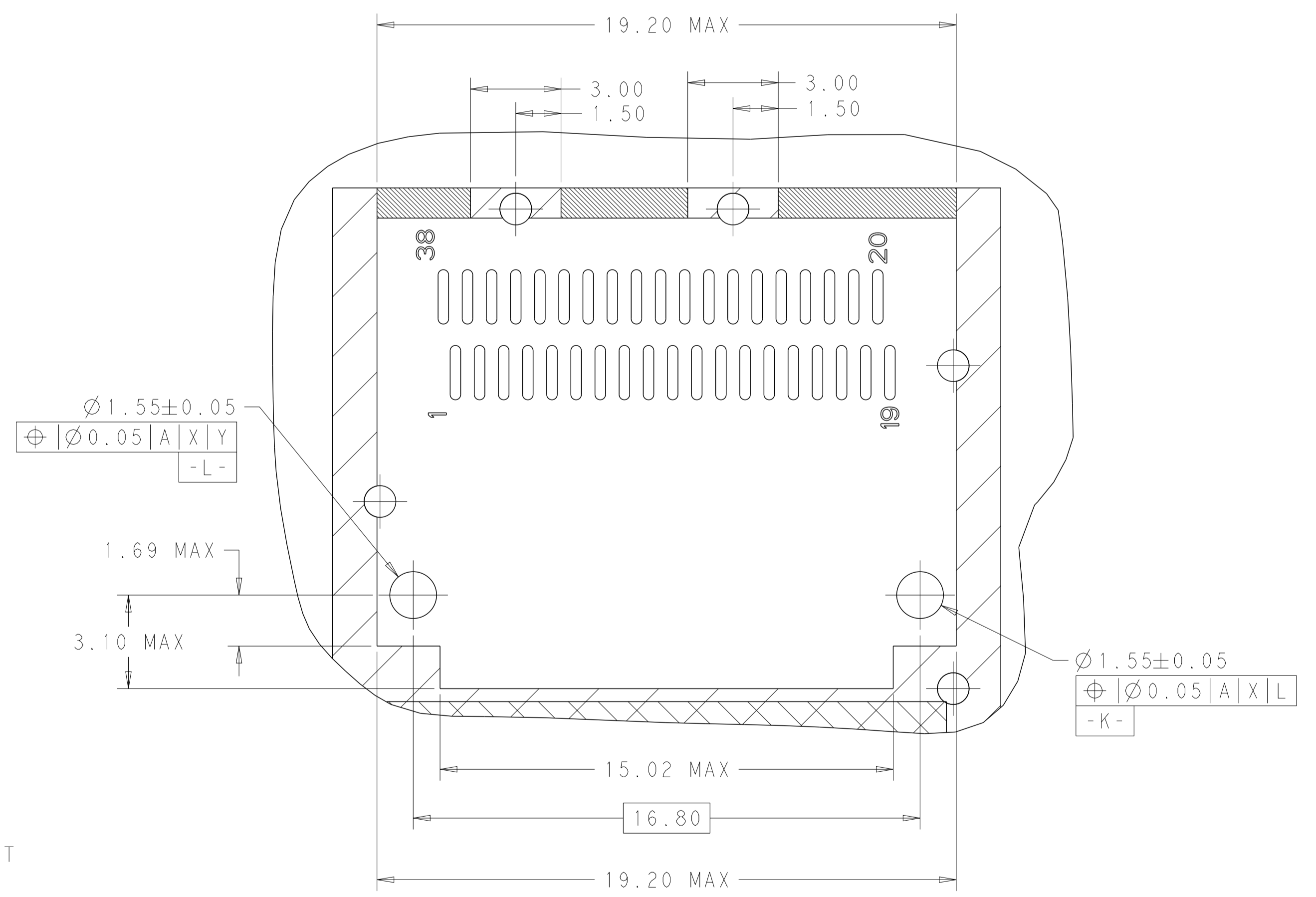
LOC	DIST	REV	DATE	BY	APPV
-	-	1	SEE SHEET 1	-	-



RECOMMENDED PCB LAYOUT
SINGLE TYPE OF 1 REAR HOLES OF LEGS
PCB TOLERANCE: ±0.05
SCALE 6:1



RECOMMENDED PCB LAYOUT
SINGLE TYPE OF 0 REAR HOLES OF LEGS
PCB TOLERANCE: ±0.05
SCALE 6:1



DETAIL B
SCALE 8:1

RECOMMENDED PCB LAYOUT
SINGLE TYPE OF 2 REAR HOLES OF LEGS
PCB TOLERANCE: ±0.05
SCALE 6:1

12X Ø1.05±0.05
COMPLIANT PIN HOLE
Ø0.1 M A K S L S

HATCHED AREA DENOTES
COMPONENT AND TRACE KEEP-OUT
(EXCEPT CHASSIS GROUND)

THIS DRAWING IS A CONTROLLED DOCUMENT.		OWN: JASON YANG 07MAR2014	TE Connectivity
DIMENSIONS: mm		CHK: SEAN HAN 26JAN2016	
TOLERANCES UNLESS OTHERWISE SPECIFIED:		APVD:	NAME: CAGE ASSEMBLY, QSFP28, THRU BEZEL WITH EMI SPRING FINGER HEAT SINK, LIGHT PIPE
0 PLC	±0.25	PRODUCT SPEC:	108-19428
1 PLC	±0.25	APPLICATION SPEC:	114-32023
2 PLC	±0.20	WEIGHT:	A100779C=2170705
3 PLC	±0.20	FINISH:	SCALE 2:1 SHEET 8 OF 9 REV D1
4 PLC	±0.100	CUSTOMER DRAWING	
ANGLES	±°		