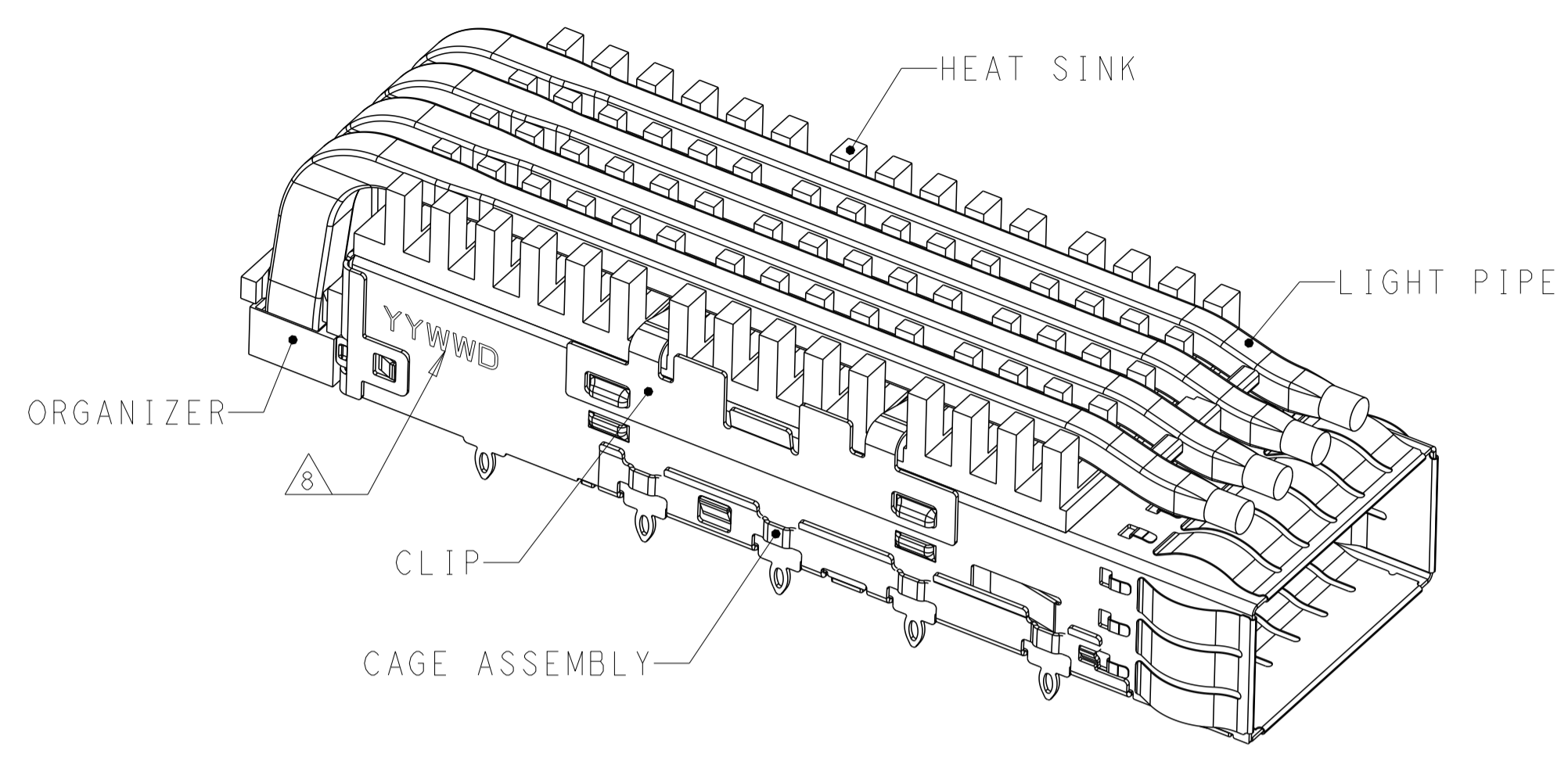
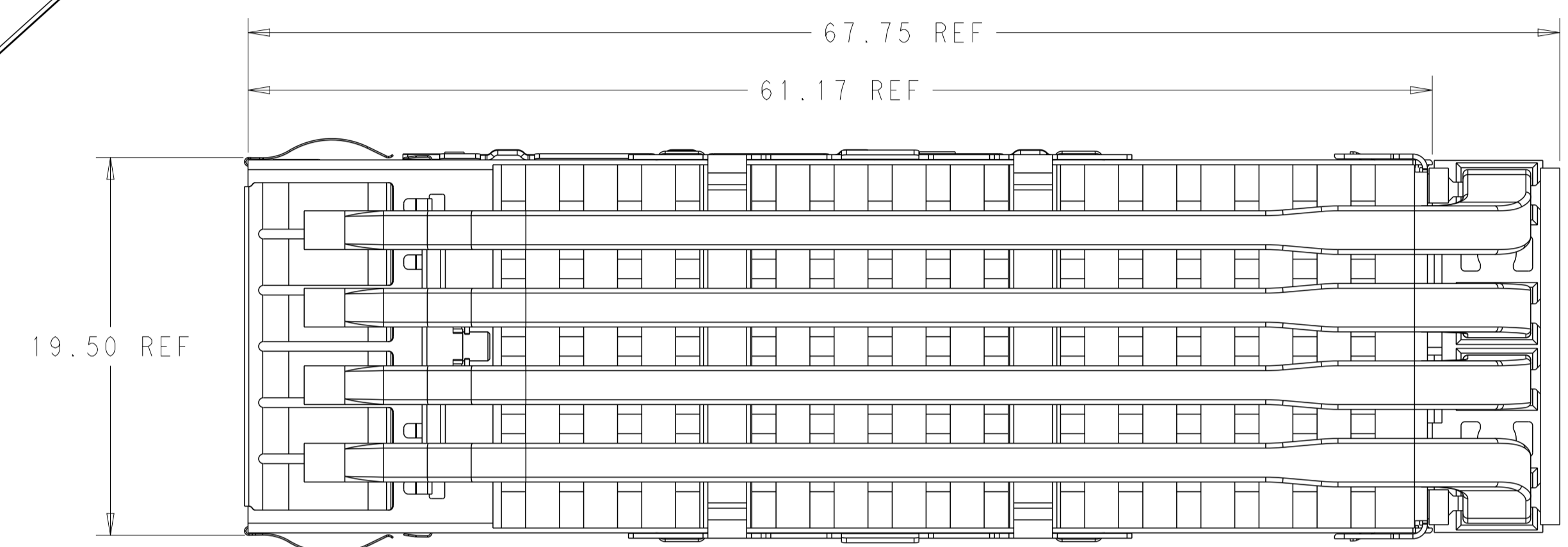


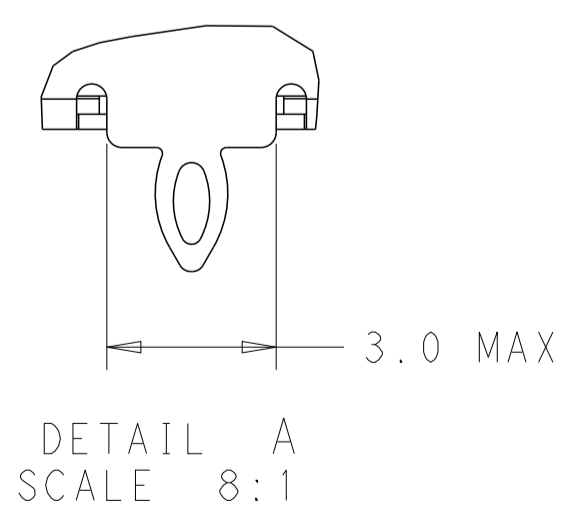
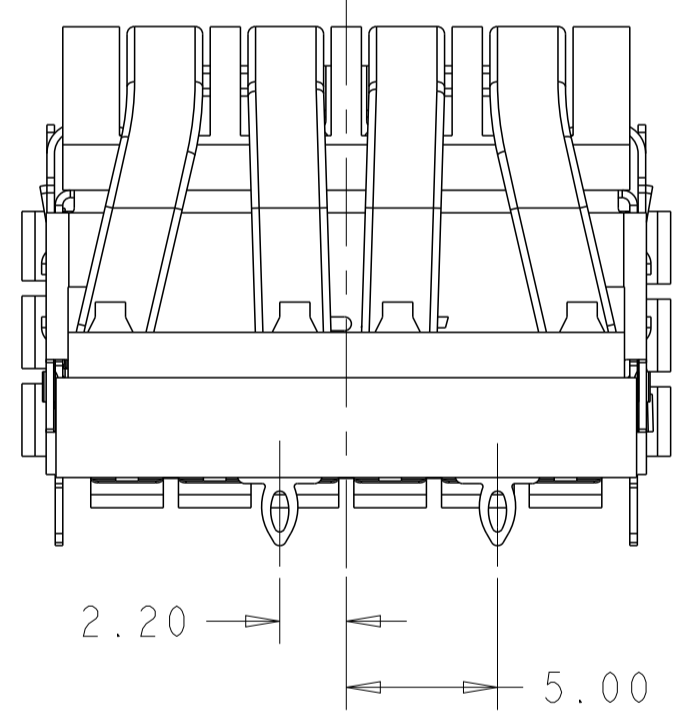
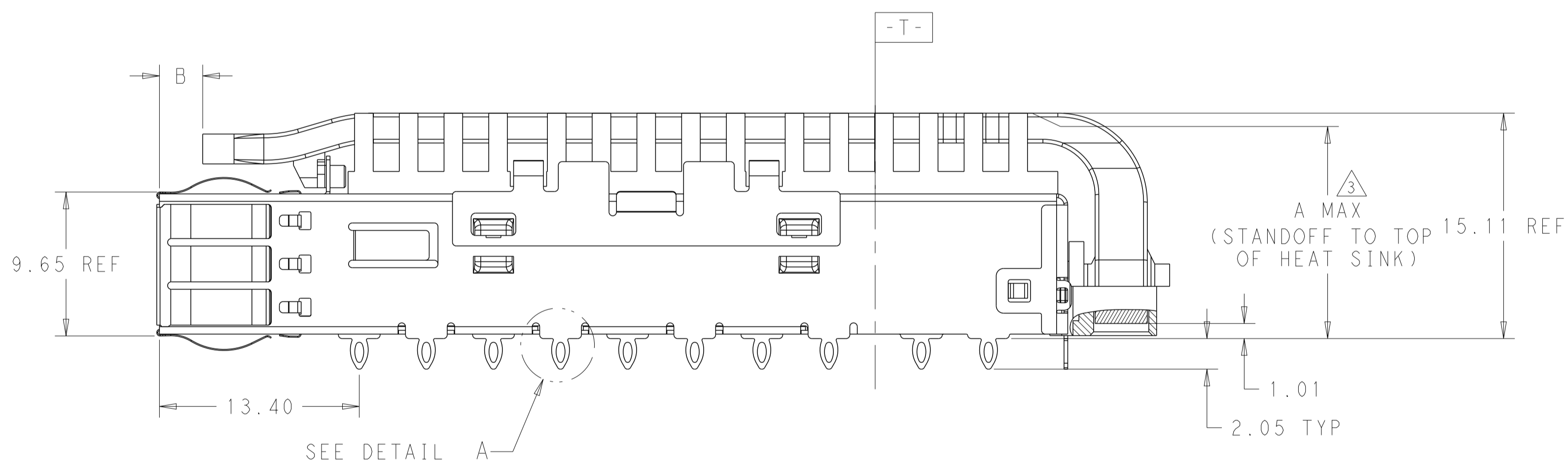
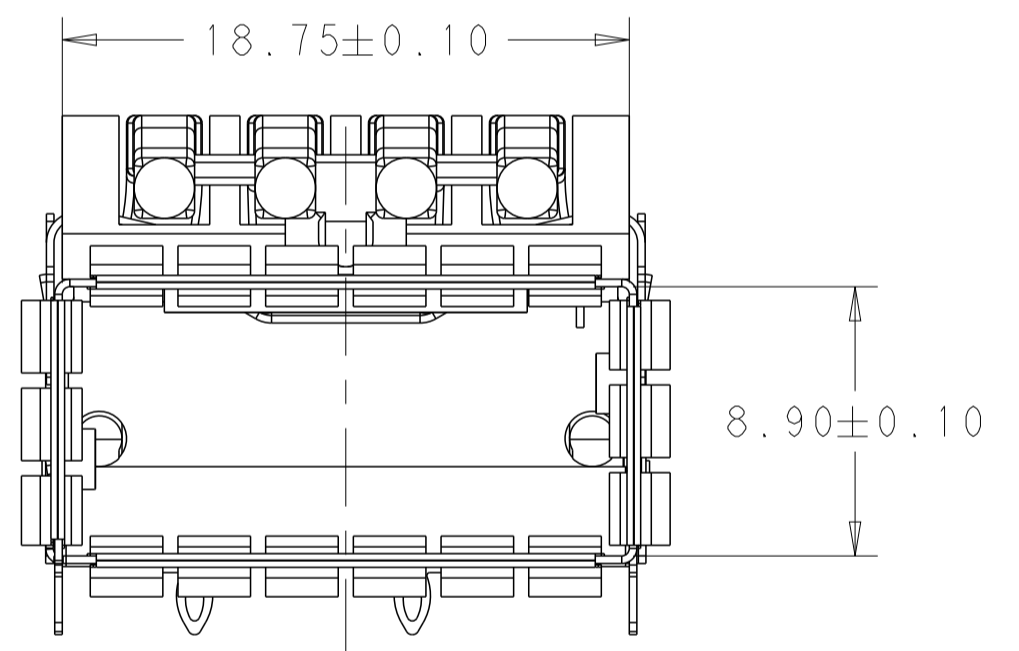
LOC		DIST		REVISIONS			
P	LTN	DESCRIPTION	DATE	DWN	APVD		
B		REVISED PER ECO-17-011899	15AUG2017	RG	SH		
C		ADD SOME DIMENSIONS	10JAN2018	JY	SH		
D		REVISED PER ECO-19-013580	04SEP2019	SH	SH		
D1		REVISED PER ECN-22-135969	08JAN2022	TP	SZ		



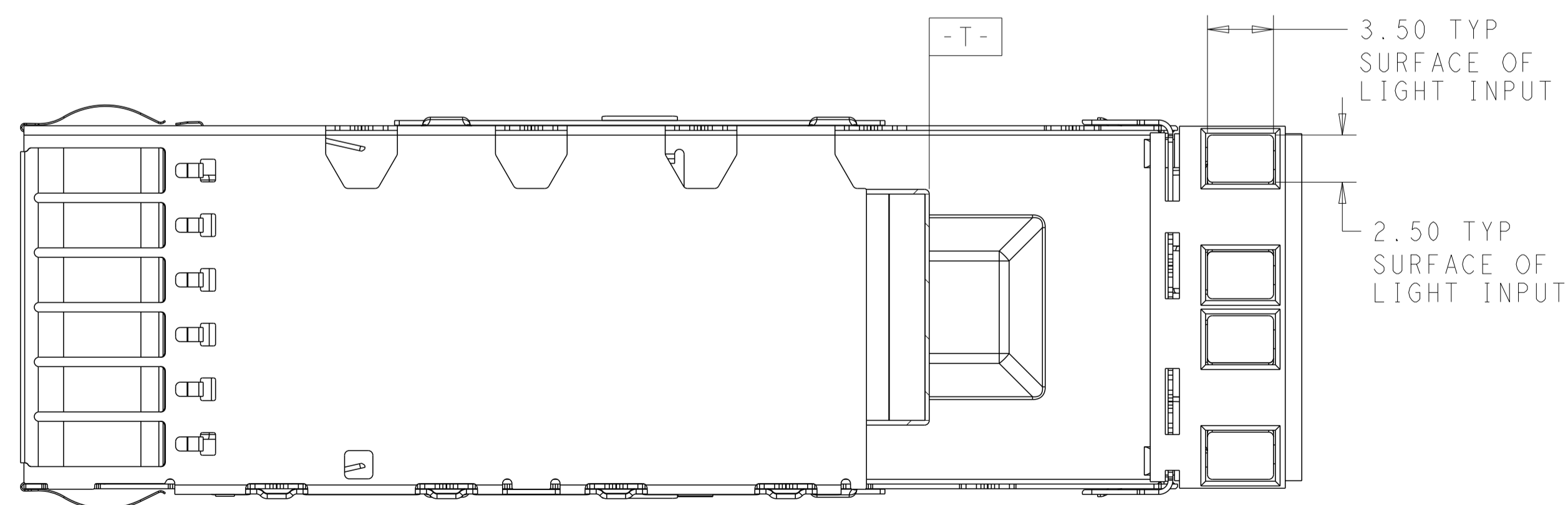
4-2170705-2 SHOWN  
SCALE 3:1



- MATERIAL: CAGE MATERIAL : 0.25 THICK NICKEL SILVER.  
 SPRING MATERIAL: COPPER ALLOY  
 HEAT SINK MATERIAL: ALUMINUM  
 CLIP MATERIAL: STAINLESS STEEL  
 LIGHT PIPE MATERIAL: POLYCARBONATE  
 ORGANIZER MATERIAL: POLYESTER
  - FINISH: SPRING: NICKEL PLATING  
 HEAT SINK: BLACK ANODIZE
- ⚠ DIMENSION APPLIES WITH MODULE INSTALLED IN THE CAGE TO TOP OF HEAT SINK.
  - ⚠ REFERENCE APPLICATION SPEC 114-32023 FOR RECOMMENDED DRILL HOLE DIAMETER AND PLATING THICKNESS.
  - ⚠ DATUM AND BASIC DIMENSIONS ESTABLISHED BY CUSTOMERS.
  - 6. MINIMUM PC BOARD THICKNESS : SINGLES SIDED: 1.57 MIN  
 DOUBLE SIDED: 2.20 MIN
  - ⚠ DATUM **-A-** IS TOP SURFACE OF THE HOST BOARD.
  - ⚠ DATE CODE (YYWWD) MARKED APPROXIMATELY AS SHOWN
  - ⚠ THESE HOLES ARE OPTIONAL WHEN THE REAR PINS ARE REMOVED.
  - 10. MATES WITH QSFP28 MSA COMPATIBLE TRANSCEIVER.
  - ⚠ PRELIMINARY PART - NOT RELEASE TO PRODUCTION.



DETAIL A  
SCALE 8:1

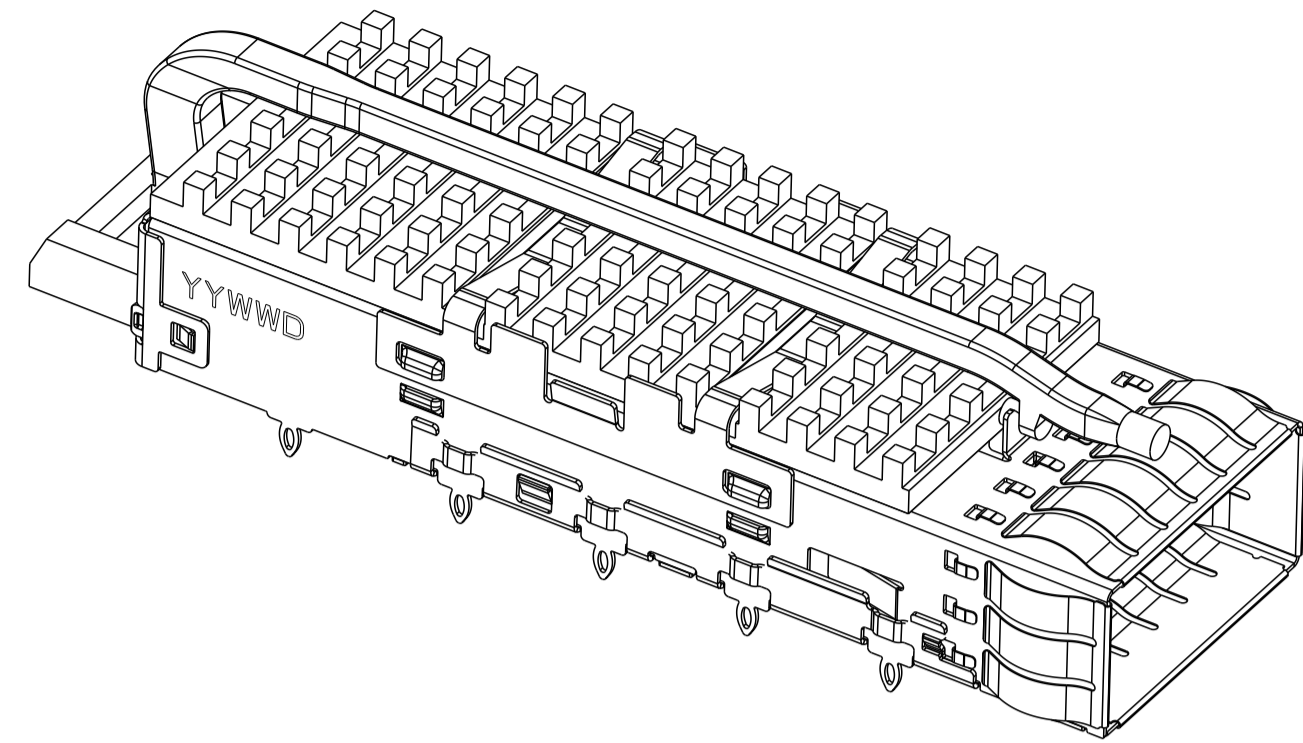


4-2170705-2 AS SHOWN

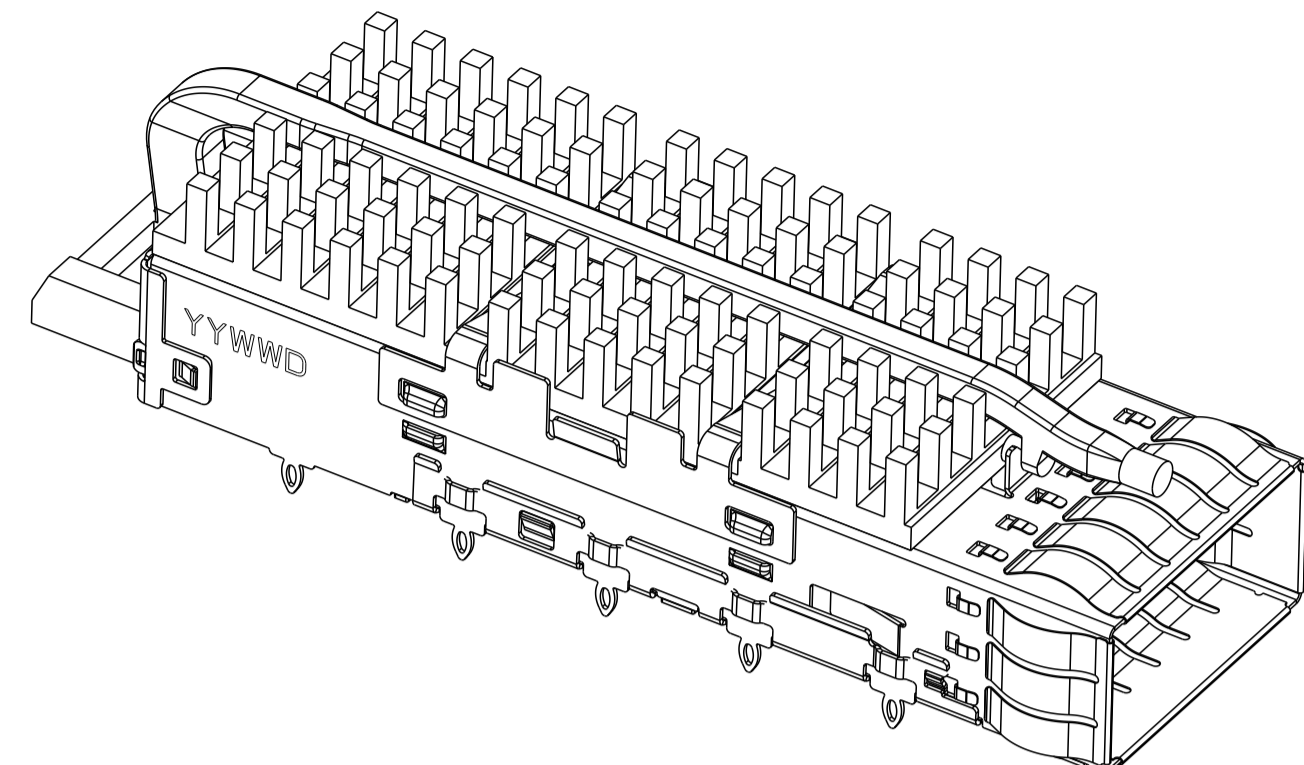
THIS DRAWING IS A CONTROLLED DOCUMENT.		DWN: JASON YANG 07MAR2014	TE Connectivity	
		CHK: SEAN HAN 26JAN2016		
DIMENSIONS:		APVD:		NAME:
mm		TOLERANCES UNLESS OTHERWISE SPECIFIED:		PRODUCT SPEC:
		0 PLC ±0.25 1 PLC ±0.25 2 PLC ±0.25 3 PLC ±0.25 4 PLC ±0.100 ANGLES ±°		108-19428
MATERIAL:		FINISH:		APPLICATION SPEC:
				114-32023
		WEIGHT:		SIZE: CAGE CODE DRAWING NO:
				A100779C=2170705
		CUSTOMER DRAWING		RESTRICTED TO:
		SCALE 2:1		SHEET 1 OF 9
				REV D1

LOC		DIST		REVISIONS			
P	LYR	DATE	OWN	APVD	DESCRIPTION		
-	-	-	-	-	SEE SHEET 1		

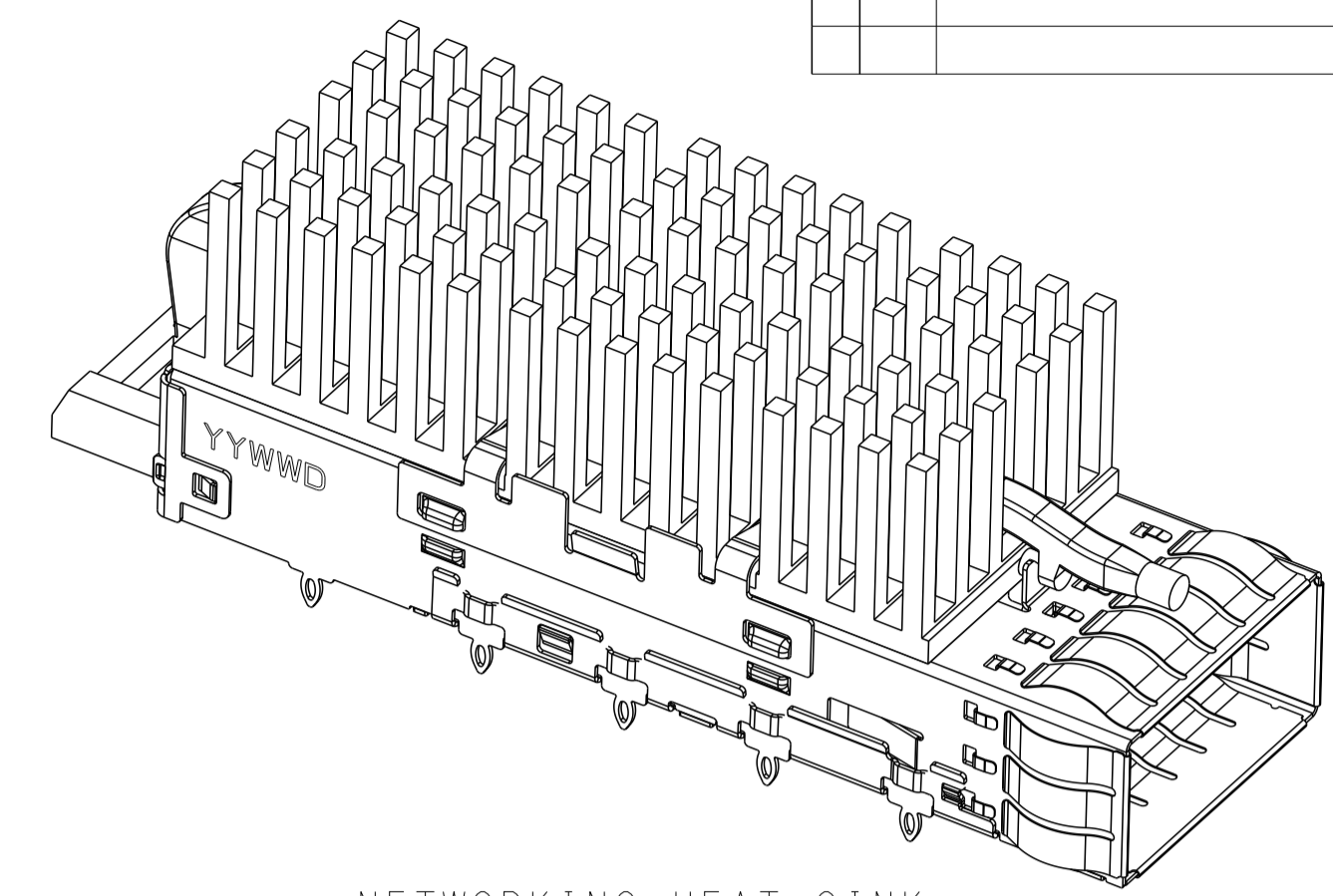
# HEAT SINK OPTIONS



PCI HEAT SINK  
SCALE 5:2

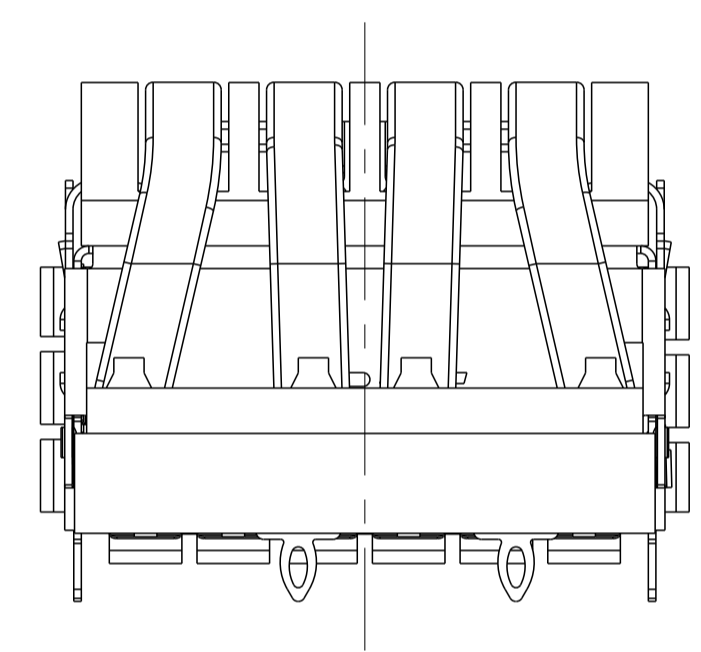


SAN HEAT SINK  
SCALE 5:2

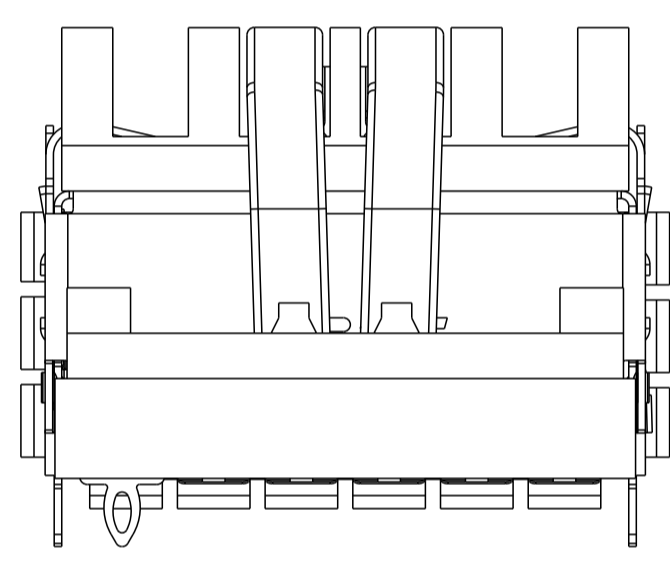


NETWORKING HEAT SINK  
SCALE 5:2

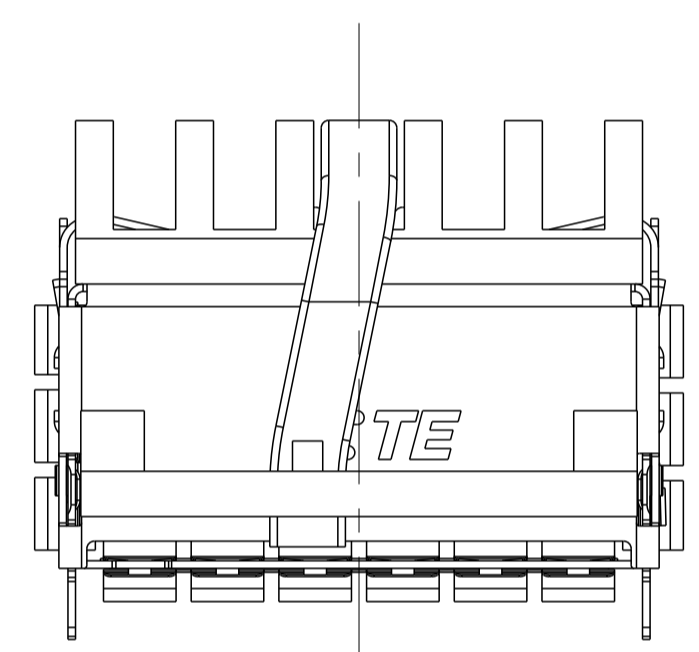
# # OF REAR LEGS OPTIONS



2 REAR LEGS  
SCALE 4:1

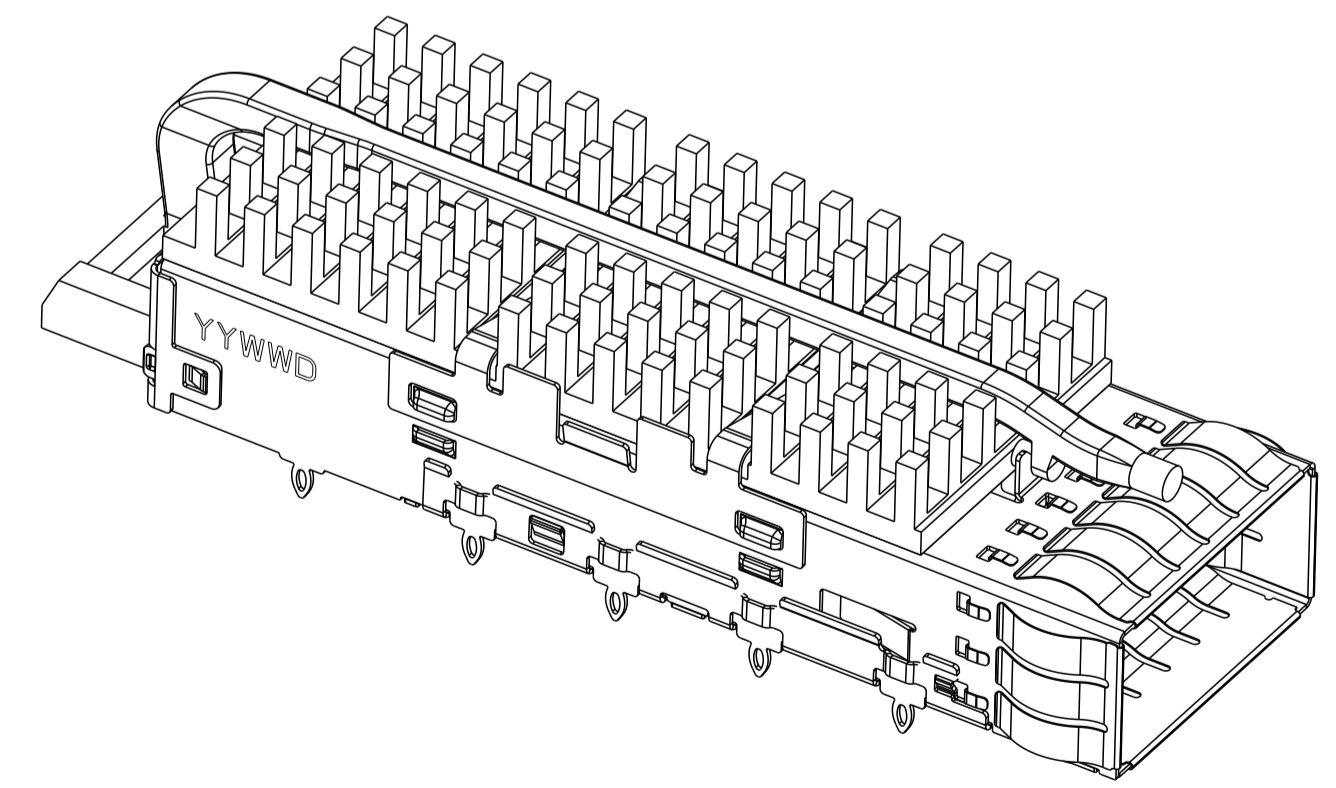


1 REAR LEG  
SCALE 4:1

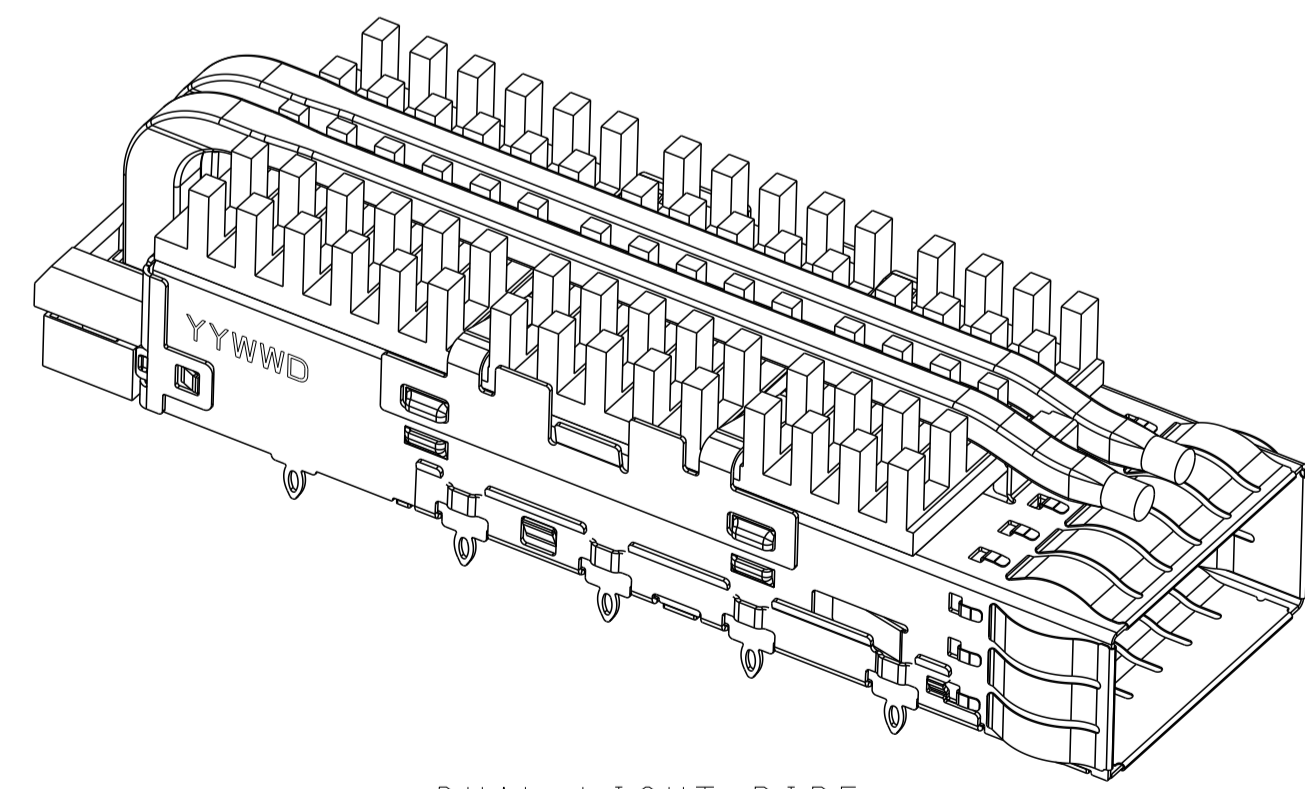


0 REAR LEG  
SCALE 4:1

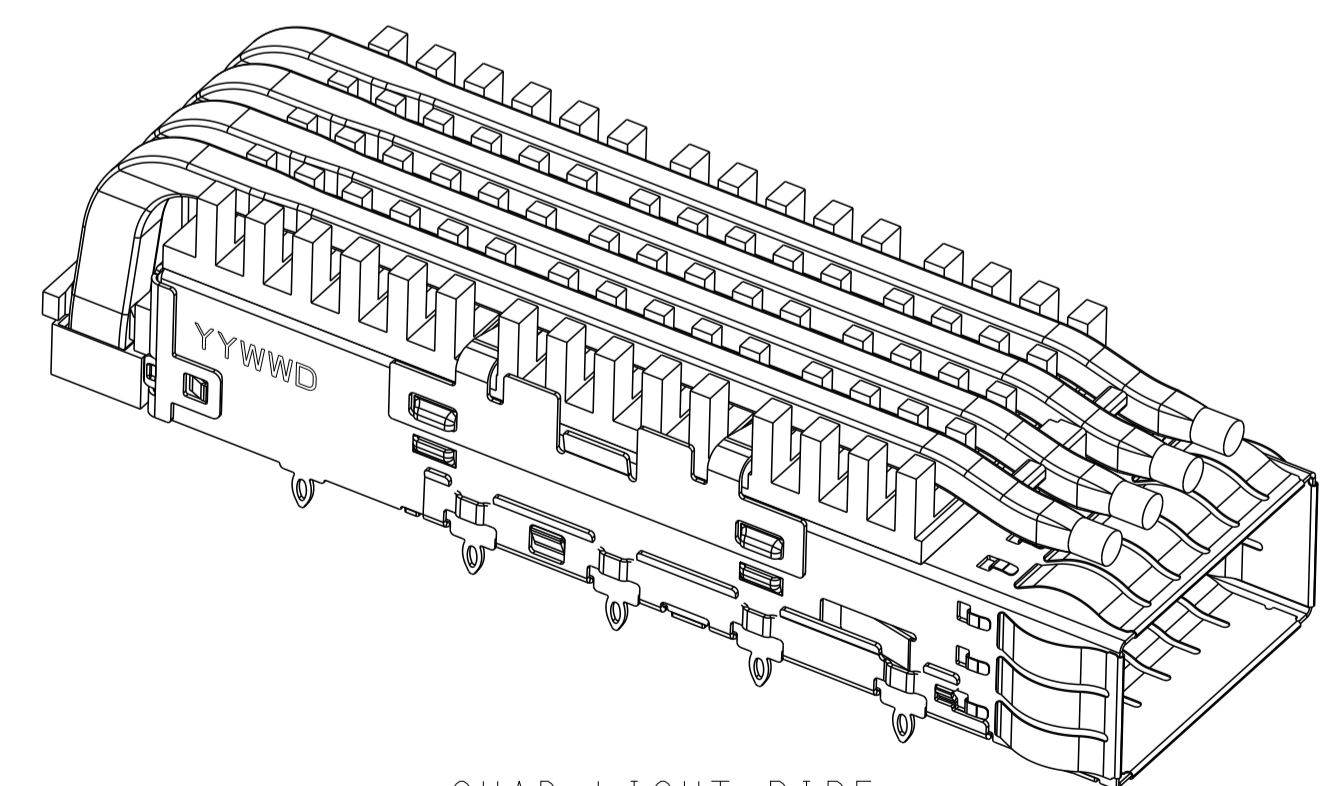
# LIGHT PIPE OPTIONS



SINGLE LIGHT PIPE  
WITHOUT ORGANIZER  
SCALE 5:2



DUAL LIGHT PIPE  
SCALE 5:2

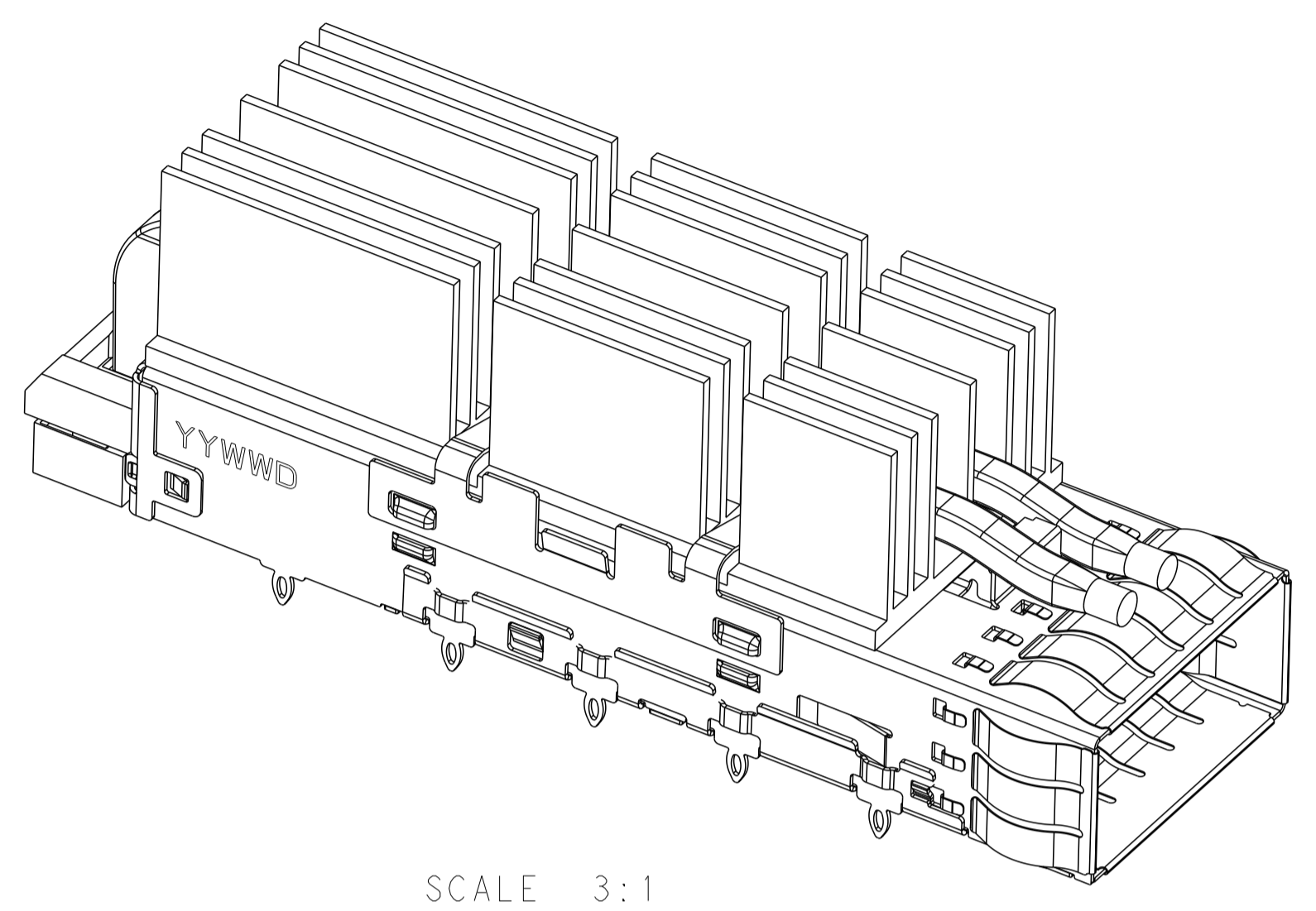


QUAD LIGHT PIPE  
SCALE 5:2

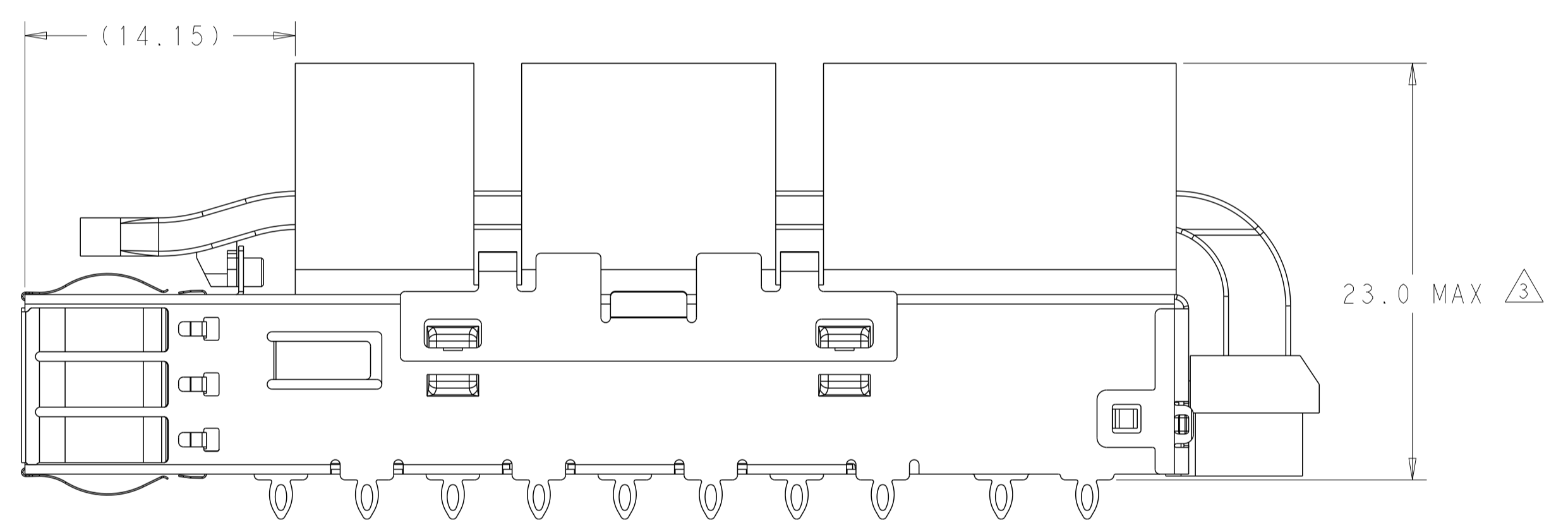
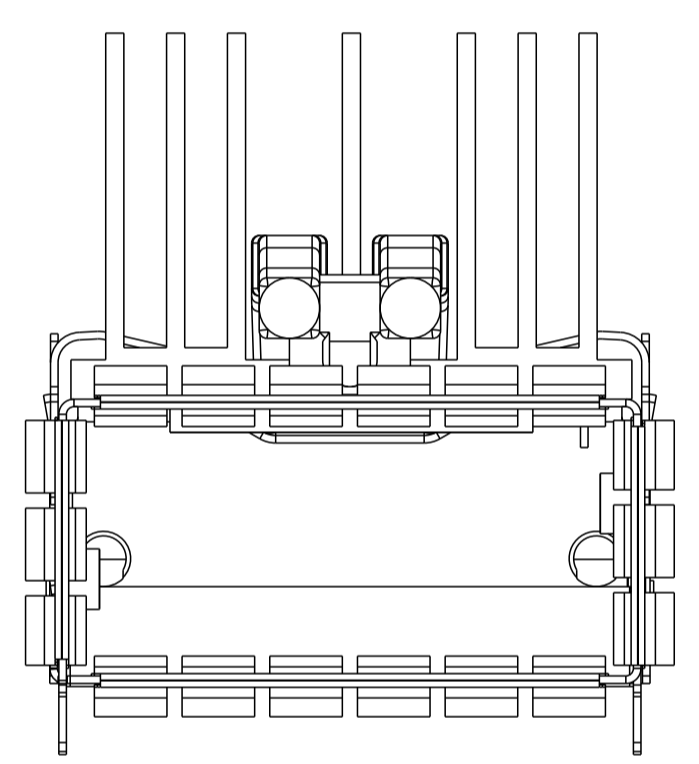
THIS DRAWING IS A CONTROLLED DOCUMENT.		OWN: JASON YANG 07MAR2014	TE Connectivity
		CHK: SEAN HAN 26JAN2016	
DIMENSIONS:		TOLERANCES UNLESS OTHERWISE SPECIFIED:	NAME: CAGE ASSEMBLY, QSFP28, THRU BEZEL WITH EMI SPRING FINGER HEAT SINK, LIGHT PIPE
mm	0 PLC ±0.25	1 PLC ±0.25	PRODUCT SPEC: 108-19428
	2 PLC ±0.25	3 PLC ±0.25	APPLICATION SPEC: 114-32023
	4 PLC ±0.100	ANGLES ±°	SIZE: A100779
MATERIAL:	FINISH:	WEIGHT:	CAGE CODE: C=2170705
		CUSTOMER DRAWING	RESTRICTED TO: -
		SCALE: 2:1	SHEET: 2 OF 9
			REV: D1

LOC		DIST		REVISIONS			
P	LTN	DESCRIPTION	DATE	DMN	APVD		
-	-	SEE SHEET 1	-	-	-		

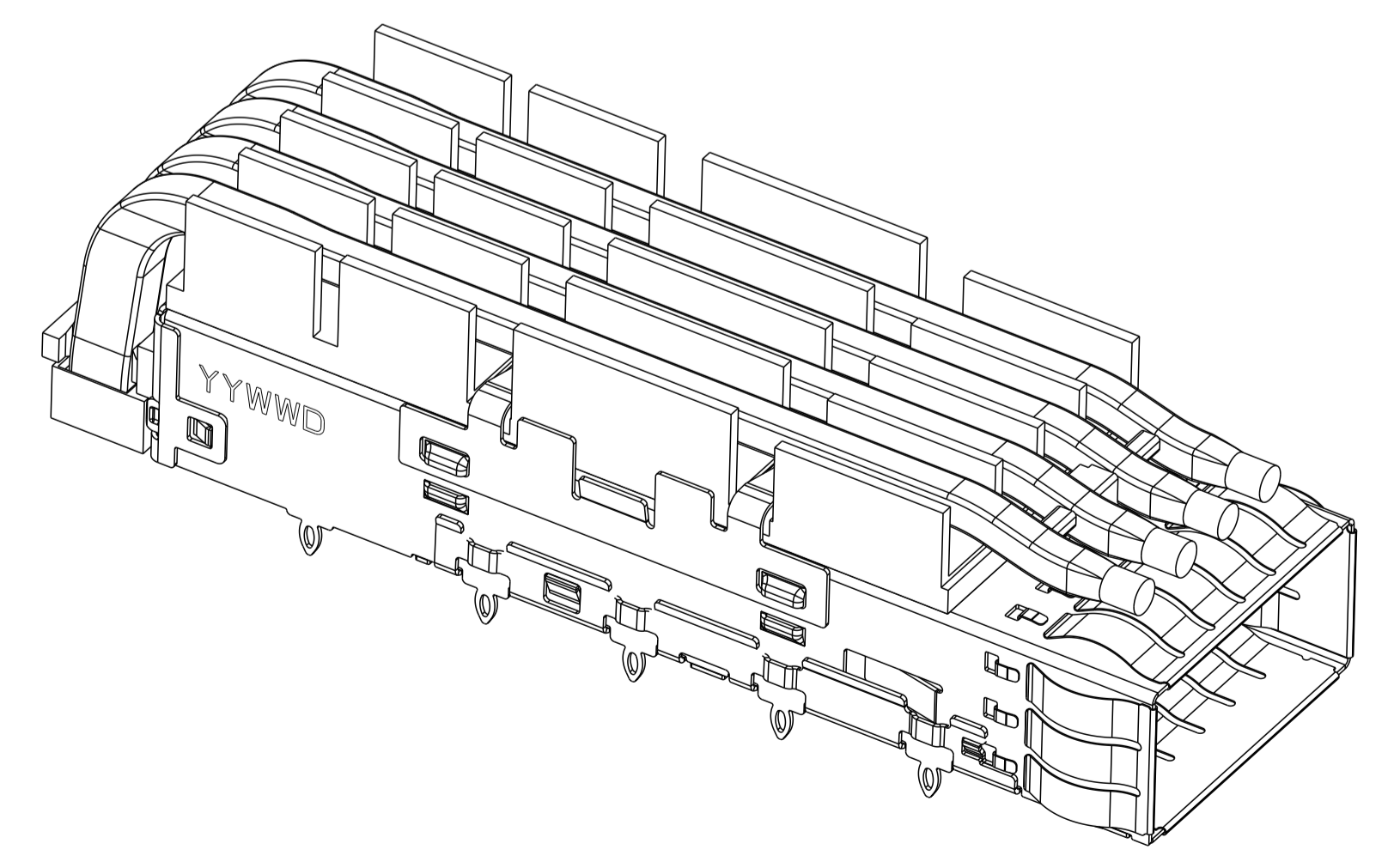
3-2170705-0  
 UNMARKED DIMENSIONS SAME AS 2-2170705-6



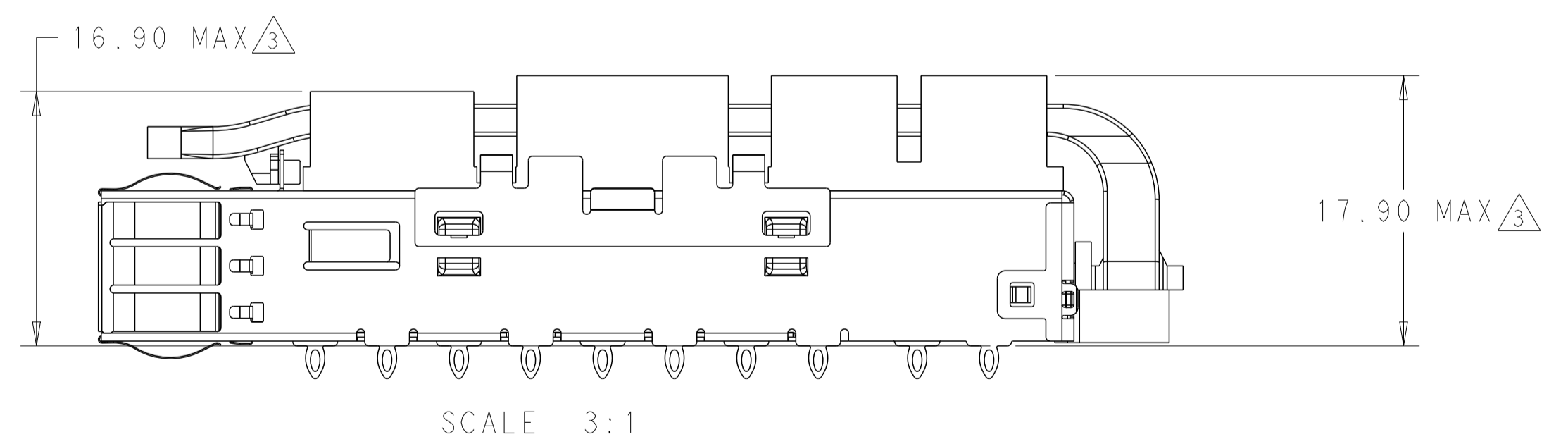
SCALE 3:1



1-2170705-2  
 3D VIEW AS SHOWN



SCALE 3:1



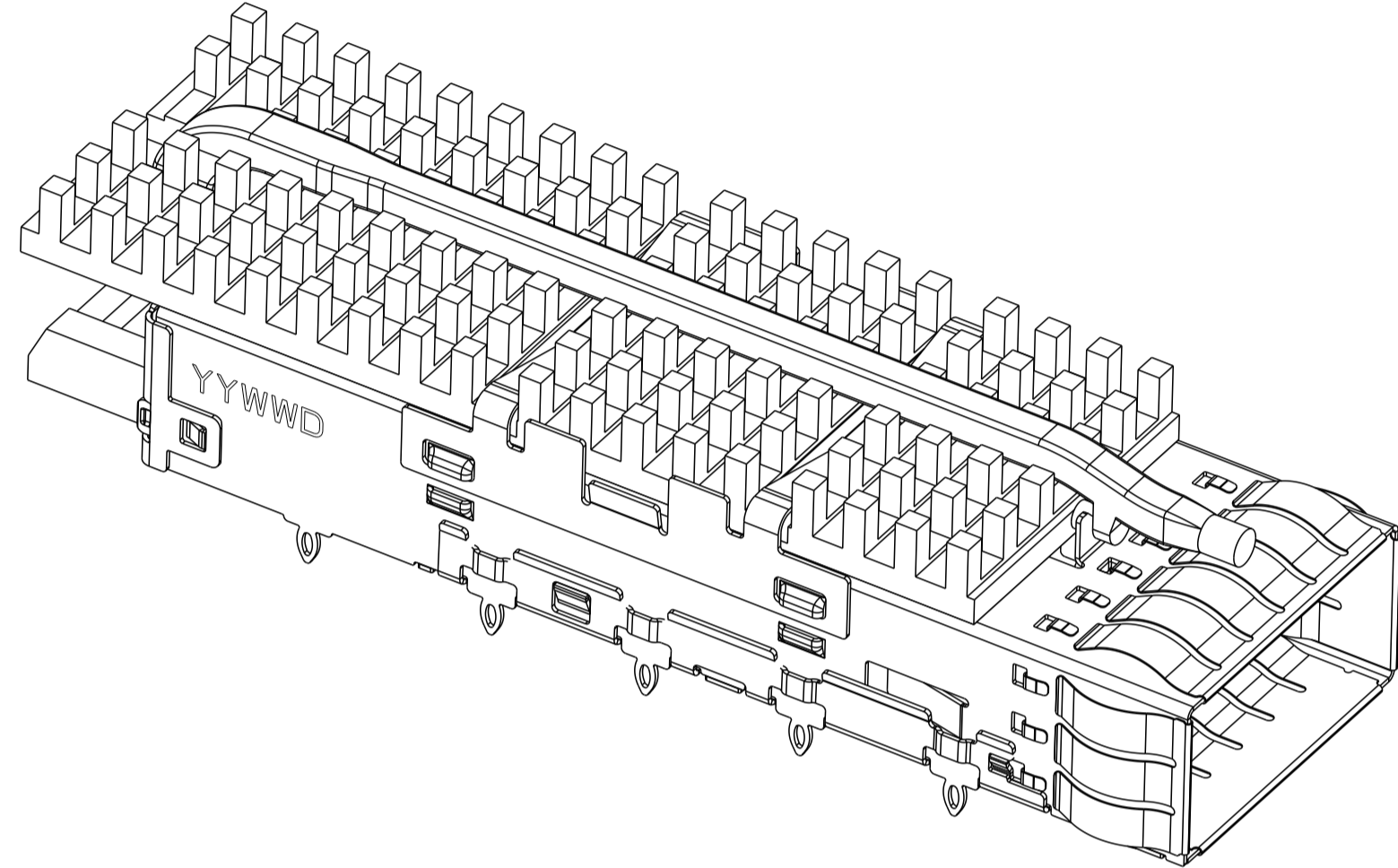
SCALE 3:1

THIS DRAWING IS A CONTROLLED DOCUMENT.		DMN JASON YANG CHK SEAN HAN	07MAR2014 26JAN2016	TE Connectivity
DIMENSIONS:		TOLERANCES UNLESS OTHERWISE SPECIFIED:		
mm	0 PLC ±0.25 1 PLC ±0.25 2 PLC ±0.25 3 PLC ±0.100 4 PLC ± ANGLES ±°	APVD		NAME
MATERIAL		FINISH		PRODUCT SPEC 108-19428
				APPLICATION SPEC 114-32023
				SIZE A100779
				CAGE CODE C=2170705
				RESTRICTED TO
				WEIGHT
				CUSTOMER DRAWING
				SCALE 2:1 SHEET 3 OF 9 REV D1

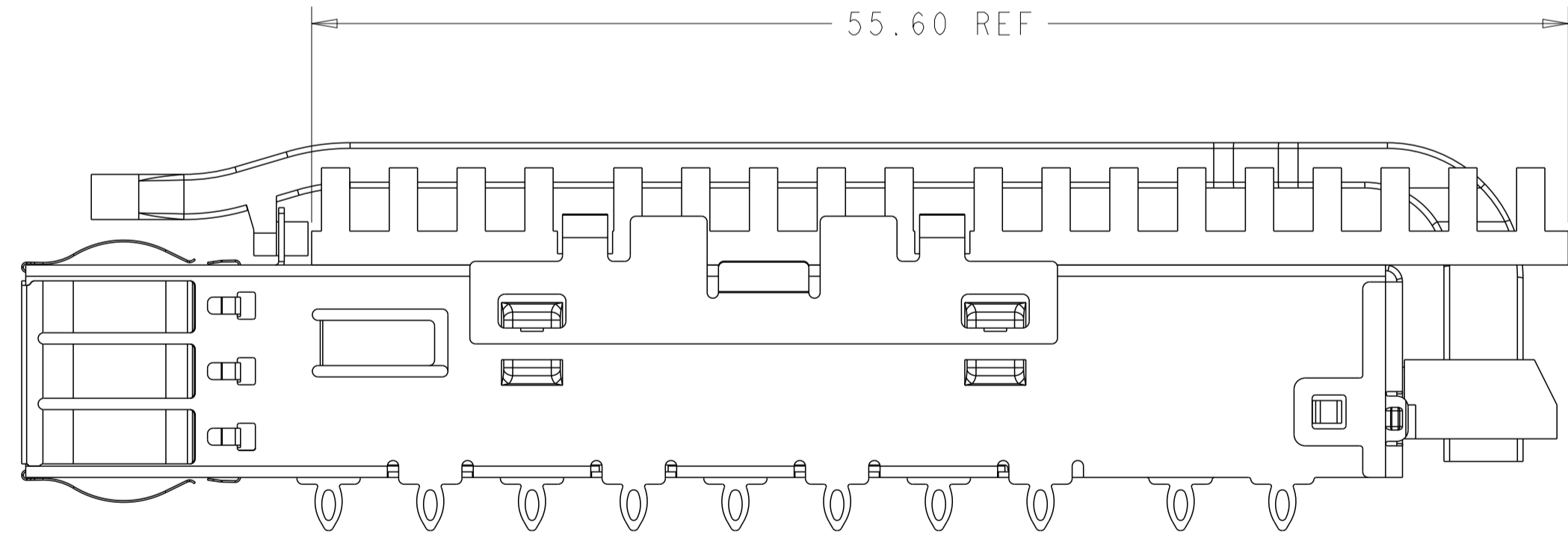
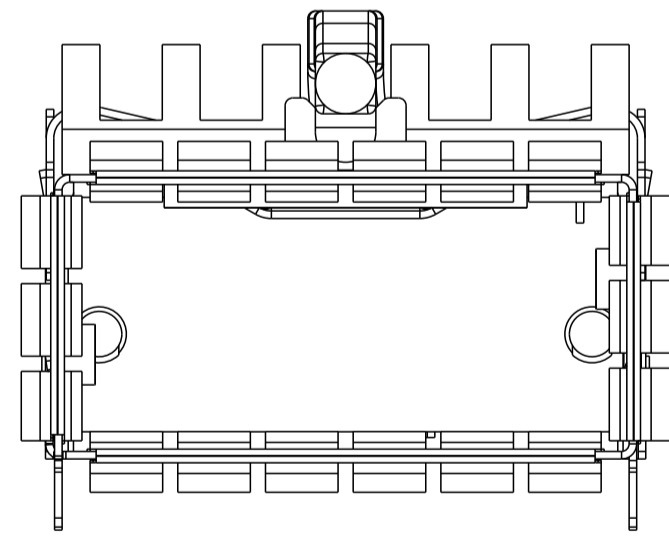
THIS DRAWING IS UNPUBLISHED. RELEASED FOR PUBLICATION  
COPYRIGHT copyright dbt ALL RIGHTS RESERVED.

LOC		DIST		REVISIONS			
				REV	DATE	BY	APPV
-	-	-	-				

1-2170705-1  
UNMARKED DIMENSIONS SAME AS 2170705-4



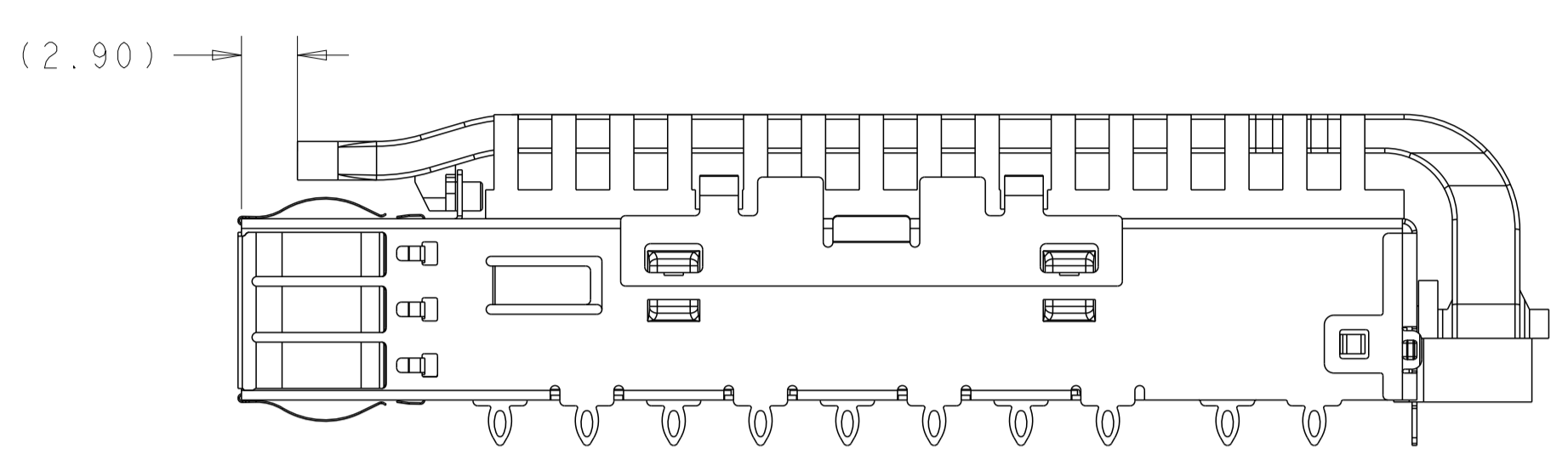
SCALE 3:1



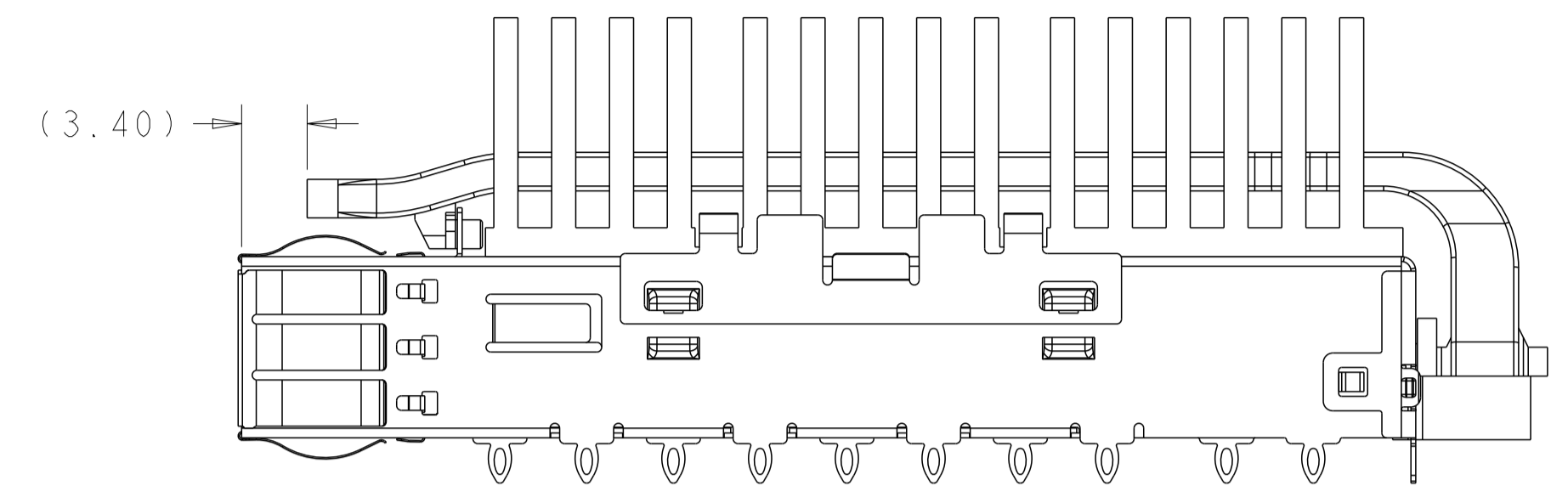
THIS DRAWING IS A CONTROLLED DOCUMENT.		DWN: JASON YANG 07MAR2014	
		CHK: SEAN HAN 26JAN2016	
DIMENSIONS:		NAME: CAGE ASSEMBLY, QSFP28, THRU BEZEL	
TOLERANCES UNLESS OTHERWISE SPECIFIED:		PRODUCT SPEC: 108-19428	
mm		APPLICATION SPEC:	
0 PLC ±0.25		SIZE: A1	
1 PLC ±0.25		CAGE CODE: 100779	
2 PLC ±0.20		DRAWING NO: C=2170705	
3 PLC ±0.100		RESTRICTED TO:	
4 PLC ±		CUSTOMER DRAWING	
ANGLES: ° ±		SCALE: 2:1	
FINISH: -		SHEET: 4 OF 9	
		REV: D1	

LOC	DIST	REV	DATE	BY	APPV
-	-	1	SEE SHEET 1	-	-

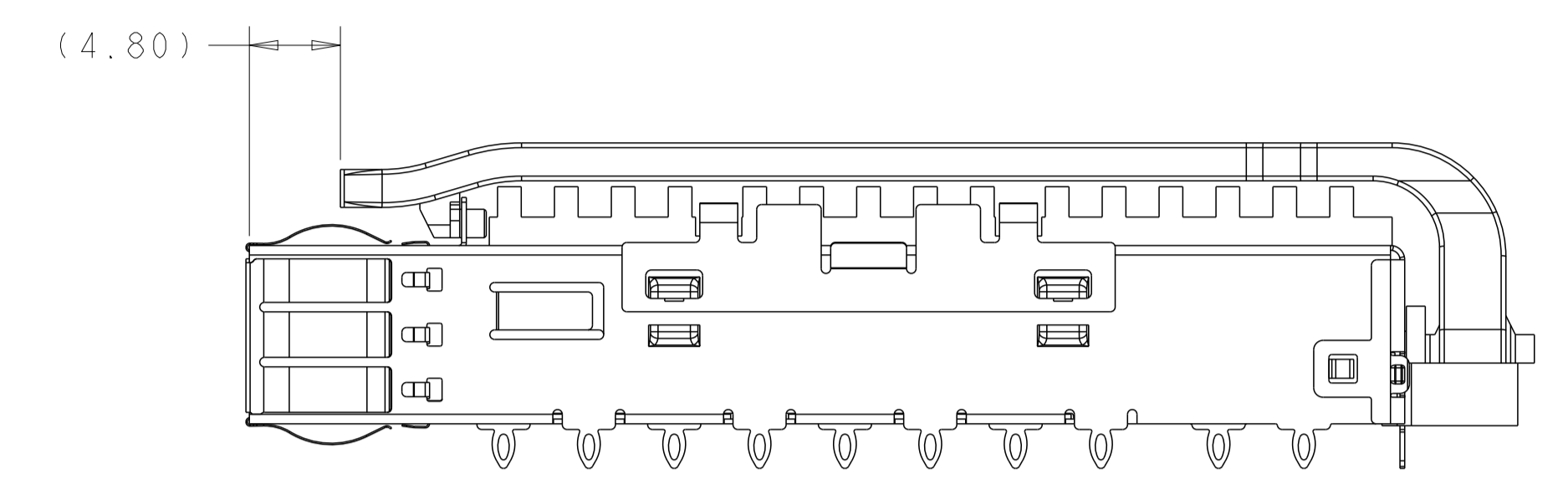
# LIGHT PIPE LENGTH OPTIONS



WITH LIGHT PIPE LENGTH B=2.9  
SCALE 3:1



WITH LIGHT PIPE LENGTH B=3.4  
SCALE 3:1



WITH LIGHT PIPE LENGTH B=4.8  
SCALE 3:1

## BOM

4.8	0	16.00	PIN	SAN	DUAL LP	6-2170705-3
5.2	1	16.00	PIN	SAN	DUAL LP	6-2170705-2
4.8	2	13.7	PIN	PCI	QUAD LP	6-2170705-1
3.4	1	23.0	PIN	NETWORKING	QUAD LP	5-2170705-9
2.9	1	16.0	PIN	SAN	COATED QUAD LP	5-2170705-8
	1	13.7	PIN	PCI	COATED QUAD LP	5-2170705-7
	0	31.6	PIN	CUSTOMIZED	QUAD LP	5-2170705-1
	1	23.0	PIN	NETWORKING	QUAD LP	4-2170705-9
	1	16.0	PIN	SAN	QUAD LP	4-2170705-8
	1	13.7	PIN	PCI	QUAD LP	4-2170705-7
	0	23.0	PIN	NETWORKING	QUAD LP	4-2170705-6
	0	16.0	PIN	SAN	QUAD LP	4-2170705-5
	0	13.7	PIN	PCI	QUAD LP	4-2170705-4
	2	23.0	PIN	NETWORKING	QUAD LP	4-2170705-3
	2	16.0	PIN	SAN	QUAD LP	4-2170705-2
	2	13.7	PIN	PCI	QUAD LP	4-2170705-1
	0	17.9	FIN	NETWORKING	QUAD LP	1-2170705-2
	0	23.0	FIN	NETWORKING	DUAL LP	3-2170705-0
	1	23.0	PIN	NETWORKING	DUAL LP	2-2170705-9
	1	16.0	PIN	SAN	DUAL LP	2-2170705-8
	1	13.7	PIN	PCI	DUAL LP	2-2170705-7
	0	23.0	PIN	NETWORKING	DUAL LP	2-2170705-6
	0	16.0	PIN	SAN	DUAL LP	2-2170705-5
	0	13.7	PIN	PCI	DUAL LP	2-2170705-4
	2	23.0	PIN	NETWORKING	DUAL LP	2-2170705-3
	2	16.0	PIN	SAN	DUAL LP	2-2170705-2
	2	13.7	PIN	PCI	DUAL LP	2-2170705-1
	0	13.7	PIN	PCI	SINGLE LP	1-2170705-1
	1	23.0	PIN	NETWORKING	SINGLE LP(COATED)	1-2170705-0
	1	23.0	PIN	NETWORKING	SINGLE LP	2170705-9
	1	16.0	PIN	SAN	SINGLE LP	2170705-8
	1	13.7	PIN	PCI	SINGLE LP	2170705-7
0	23.0	PIN	NETWORKING	SINGLE LP	2170705-6	
0	16.0	PIN	SAN	SINGLE LP	2170705-5	
0	13.7	PIN	PCI	SINGLE LP	2170705-4	
2	23.0	PIN	NETWORKING	SINGLE LP	2170705-3	
2	16.0	PIN	SAN	SINGLE LP	2170705-2	
2	13.7	PIN	PCI	SINGLE LP	2170705-1	
DIM B	# REAR PINS	DIM A	HEAT SINK TYPE	APPLICATION (HEAT SINK OPTION)	LIGHT PIPE OPTION	PART NUMBER

THIS DRAWING IS A CONTROLLED DOCUMENT.

DWN: JASON YANG 07MAR2014  
 CHK: SEAN HAN 26JAN2016

APVD: SEAN HAN

PRODUCT SPEC: 108-19428  
 APPLICATION SPEC: 114-32023

NAME: CAGE ASSEMBLY, QSP28, THRU BEZEL WITH EMI SPRING FINGER HEAT SINK, LIGHT PIPE

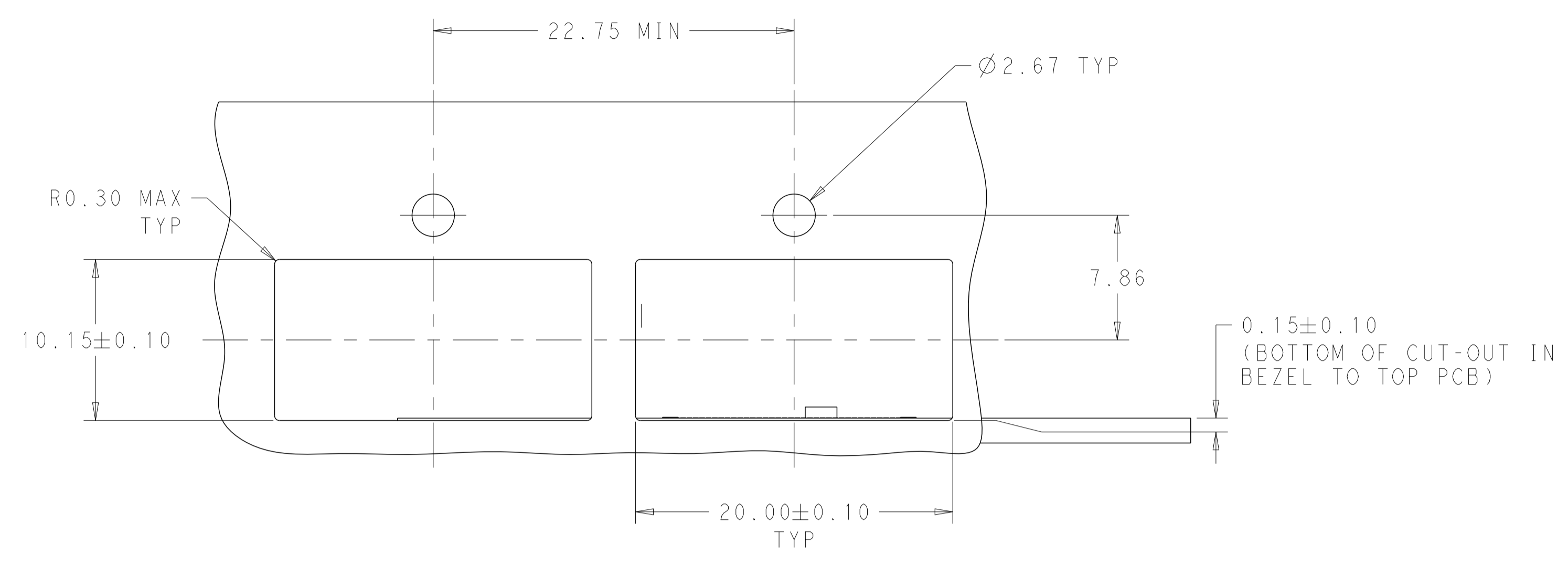
SIZE: A1 CAGE CODE: 100779 DRAWING NO: C=2170705

RESTRICTED TO: -

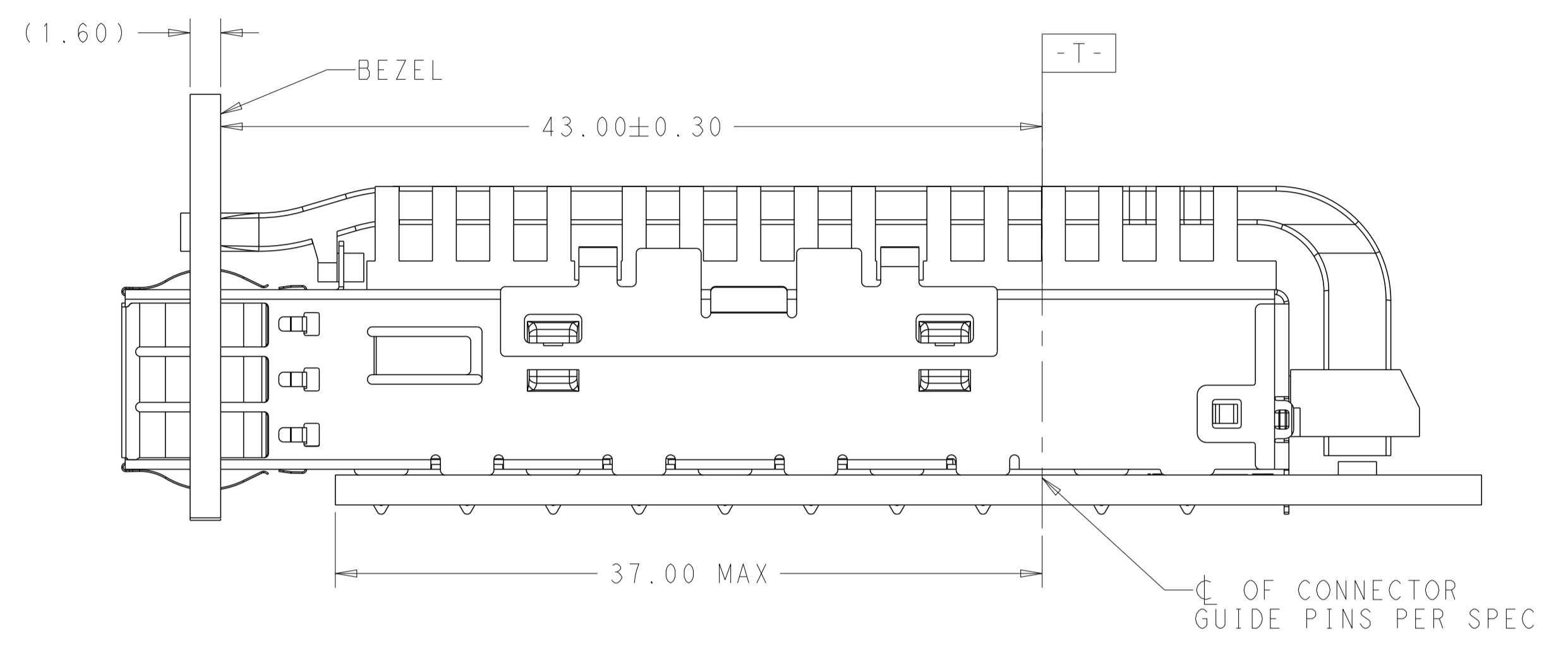
MATERIAL: - FINISH: - WEIGHT: -

CUSTOMER DRAWING SCALE: 2:1 SHEET: 5 OF 9 REV: D1

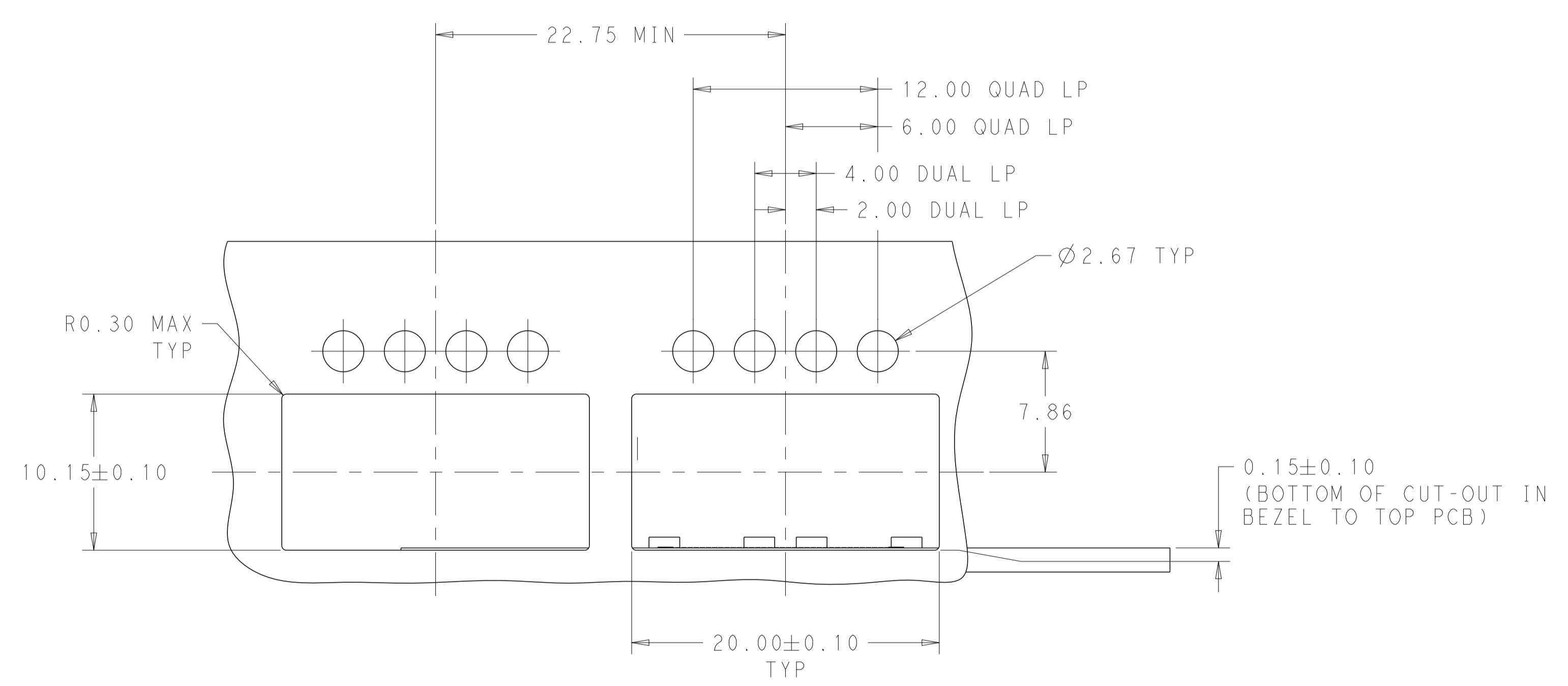
LOC	DIST	REV	DATE	BY	APPV
-	-	1	SEE SHEET 1	-	-



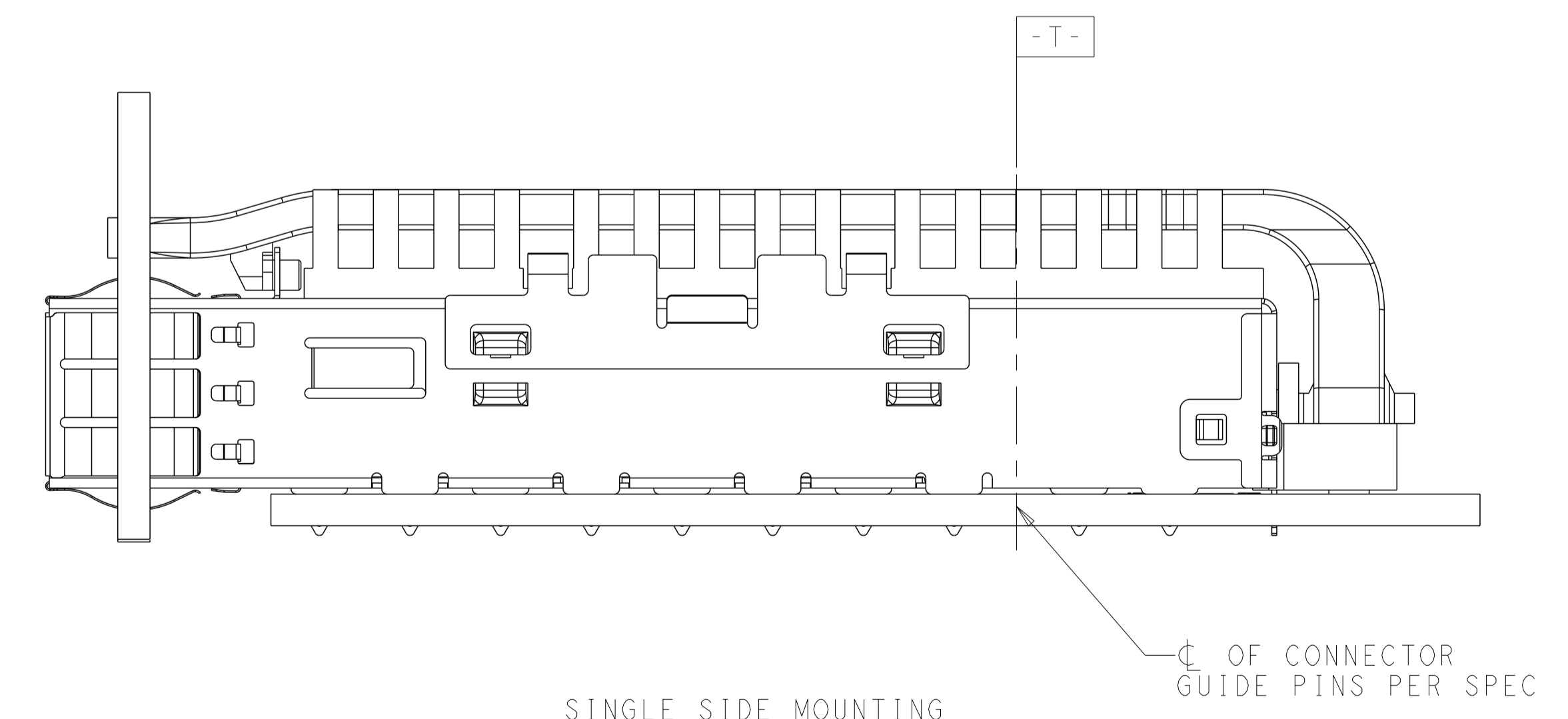
SINGLE LIGHT PIPE TYPE



SINGLE SIDE MOUNTING  
SCALE 4:1



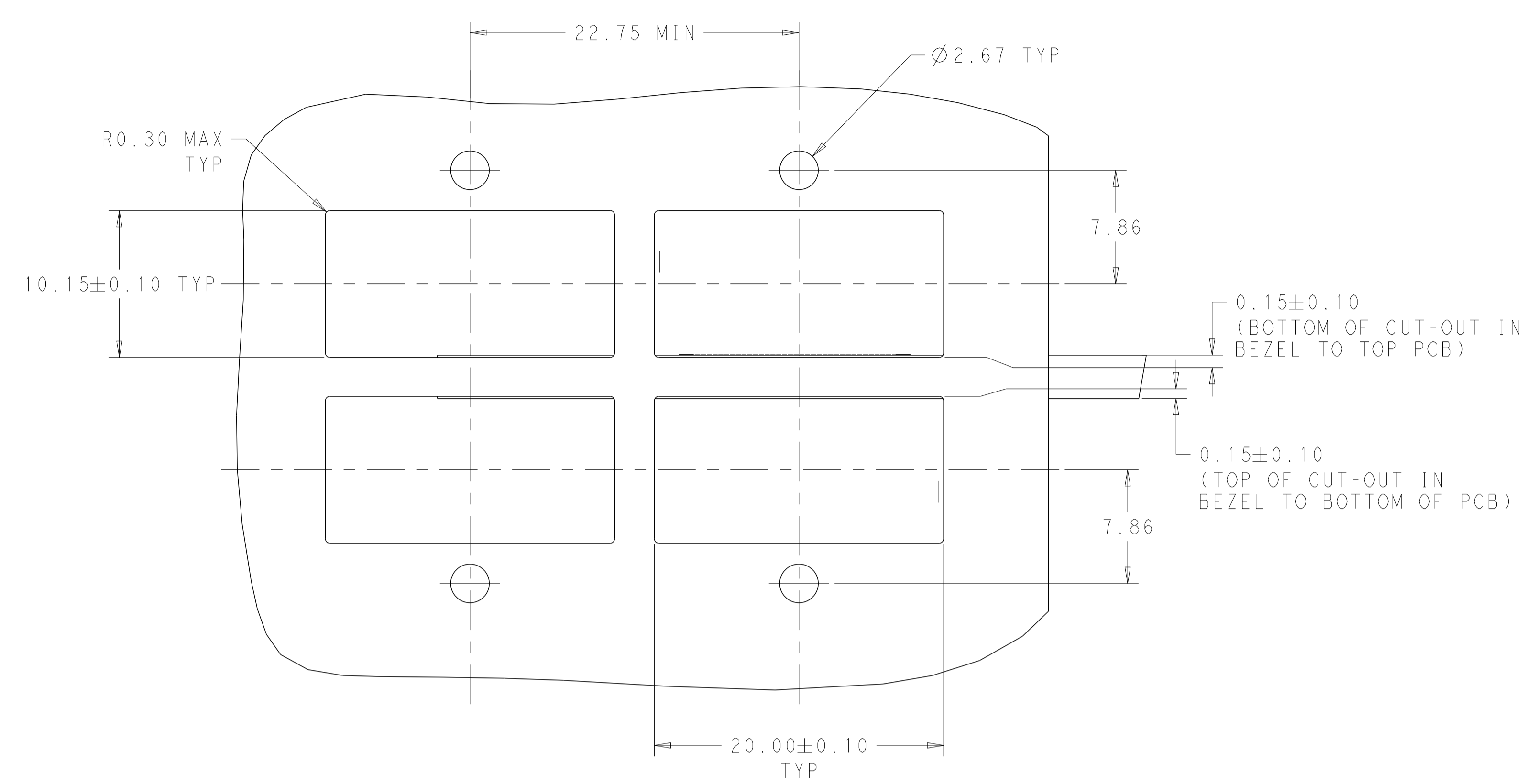
DUAL/QUAD LIGHT PIPE TYPE



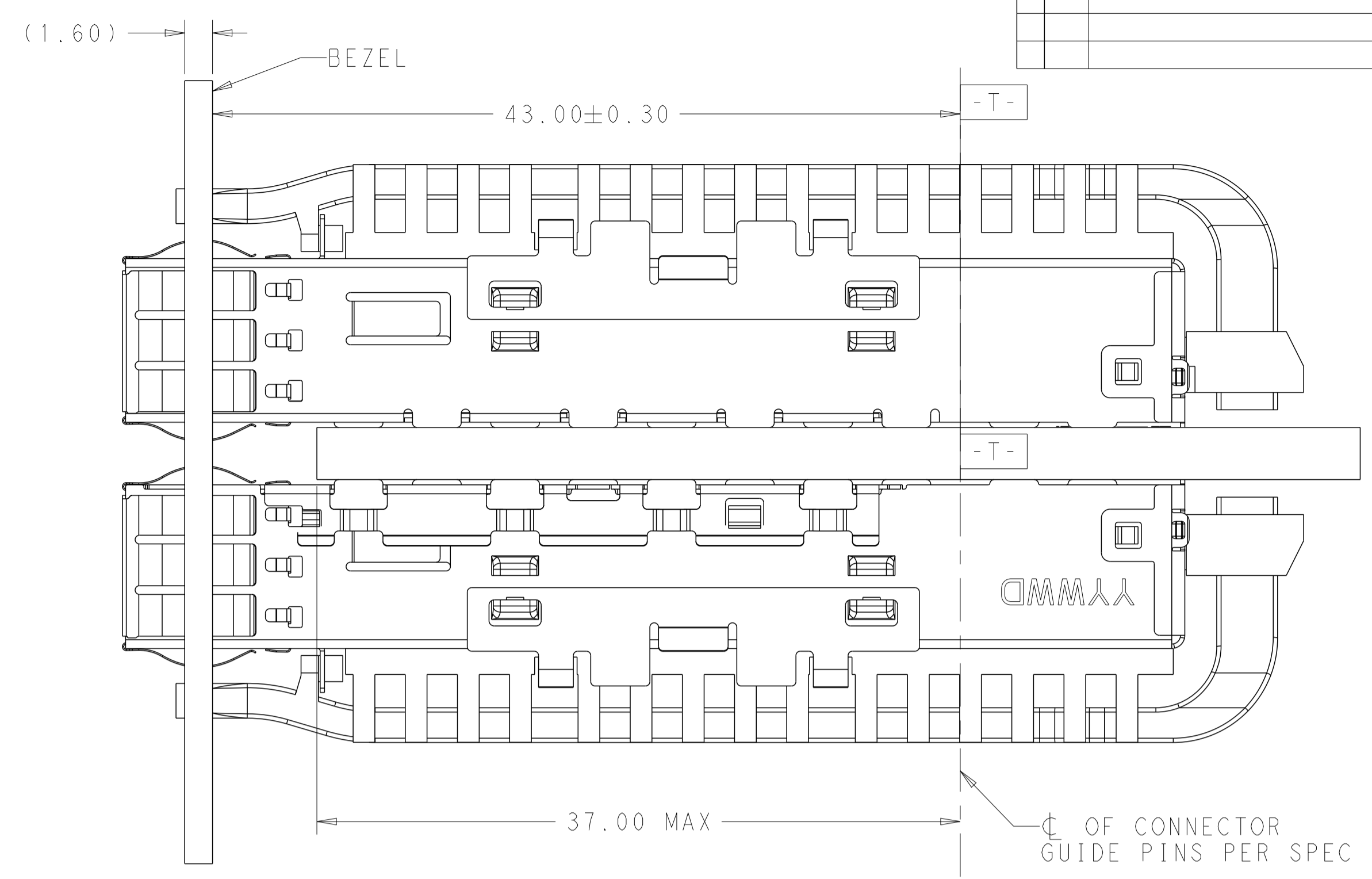
SINGLE SIDE MOUNTING  
SCALE 4:1

THIS DRAWING IS A CONTROLLED DOCUMENT.		OWN: JASON YANG 07MAR2014	 TE Connectivity
DIMENSIONS: mm		CHK: SEAN HAN 26JAN2016	
TOLERANCES UNLESS OTHERWISE SPECIFIED:		APVD: SEAN HAN	NAME: CAGE ASSEMBLY, QSFP28, THRU BEZEL WITH EMI SPRING FINGER HEAT SINK, LIGHT PIPE
0 PLC	±0.25	PRODUCT SPEC	SIZE: 108-19428
1 PLC	±0.25	APPLICATION SPEC	SCALE: 2:1
2 PLC	±0.25	RESTRICTED TO	SHEET 6 OF 9
3 PLC	±0.25		REV D1
4 PLC	±0.100		
ANGLES	±"		
MATERIAL		WEIGHT	
FINISH		CUSTOMER DRAWING	

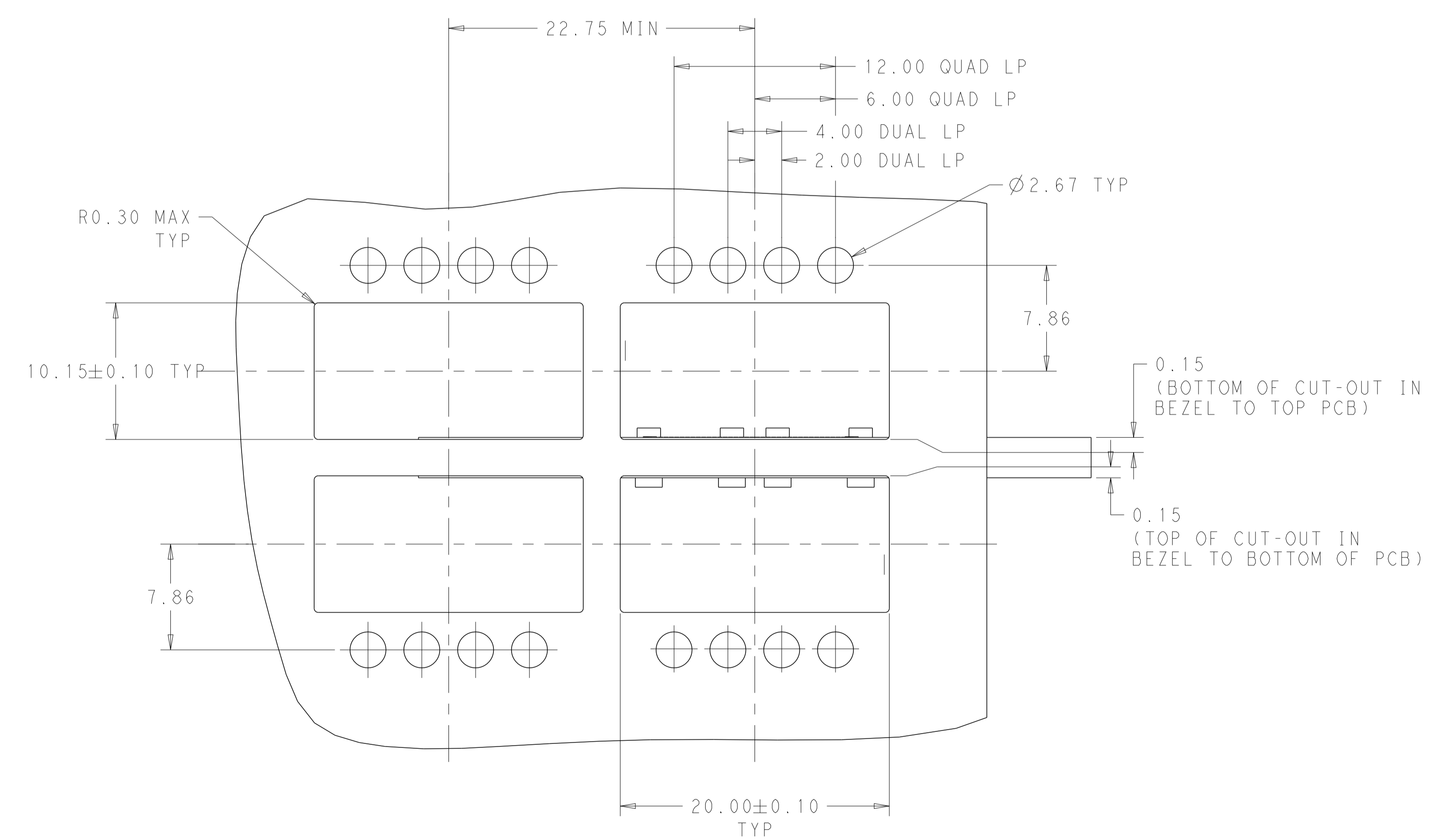
LOC		DIST		REVISIONS		
P	LTN	DESCRIPTION	DATE	DMN	APVD	
-	-	SEE SHEET 1	-	-	-	-



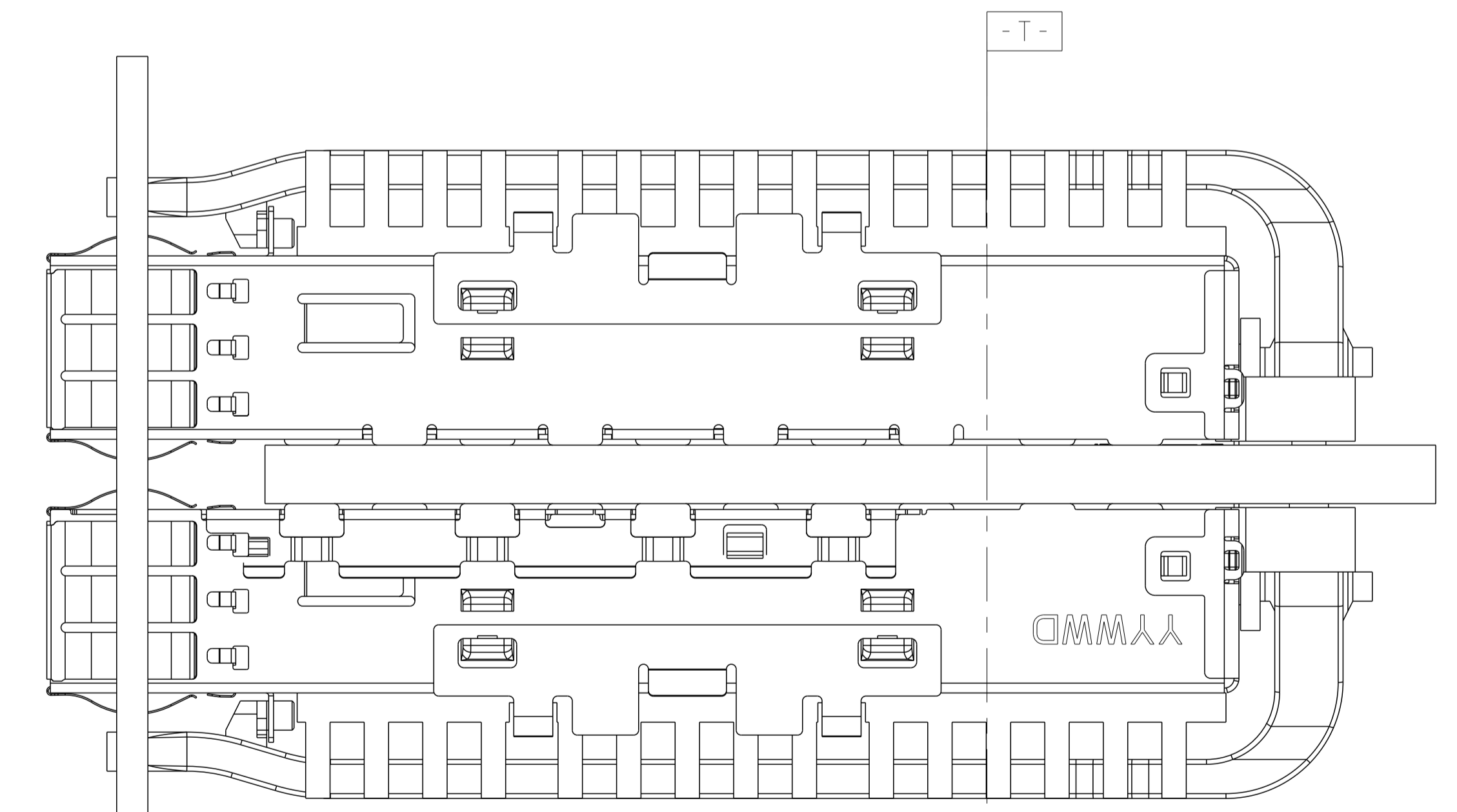
SINGLE LIGHT PIPE TYPE



BELLY TO BELLY MOUNTING SCALE 4:1



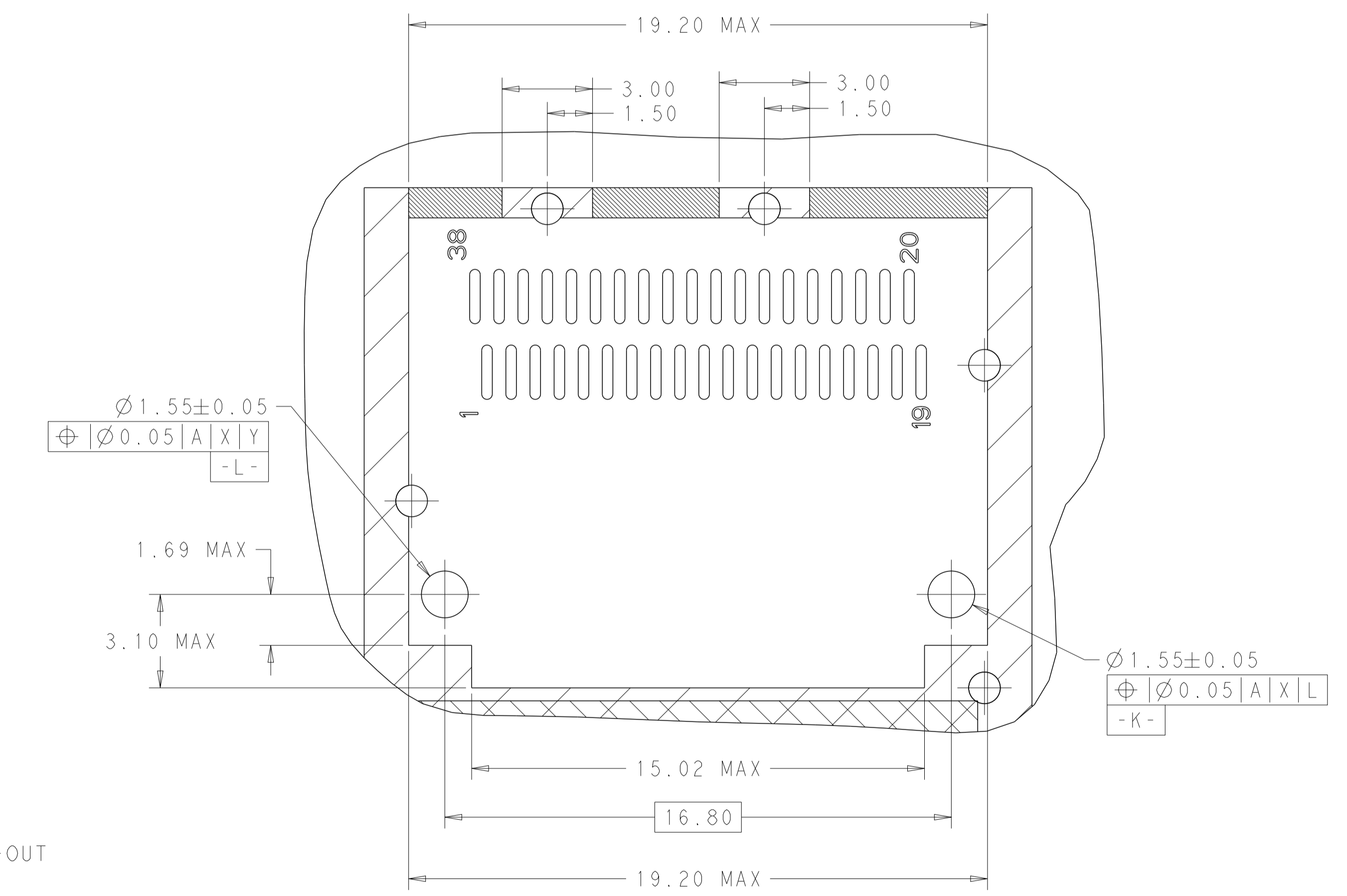
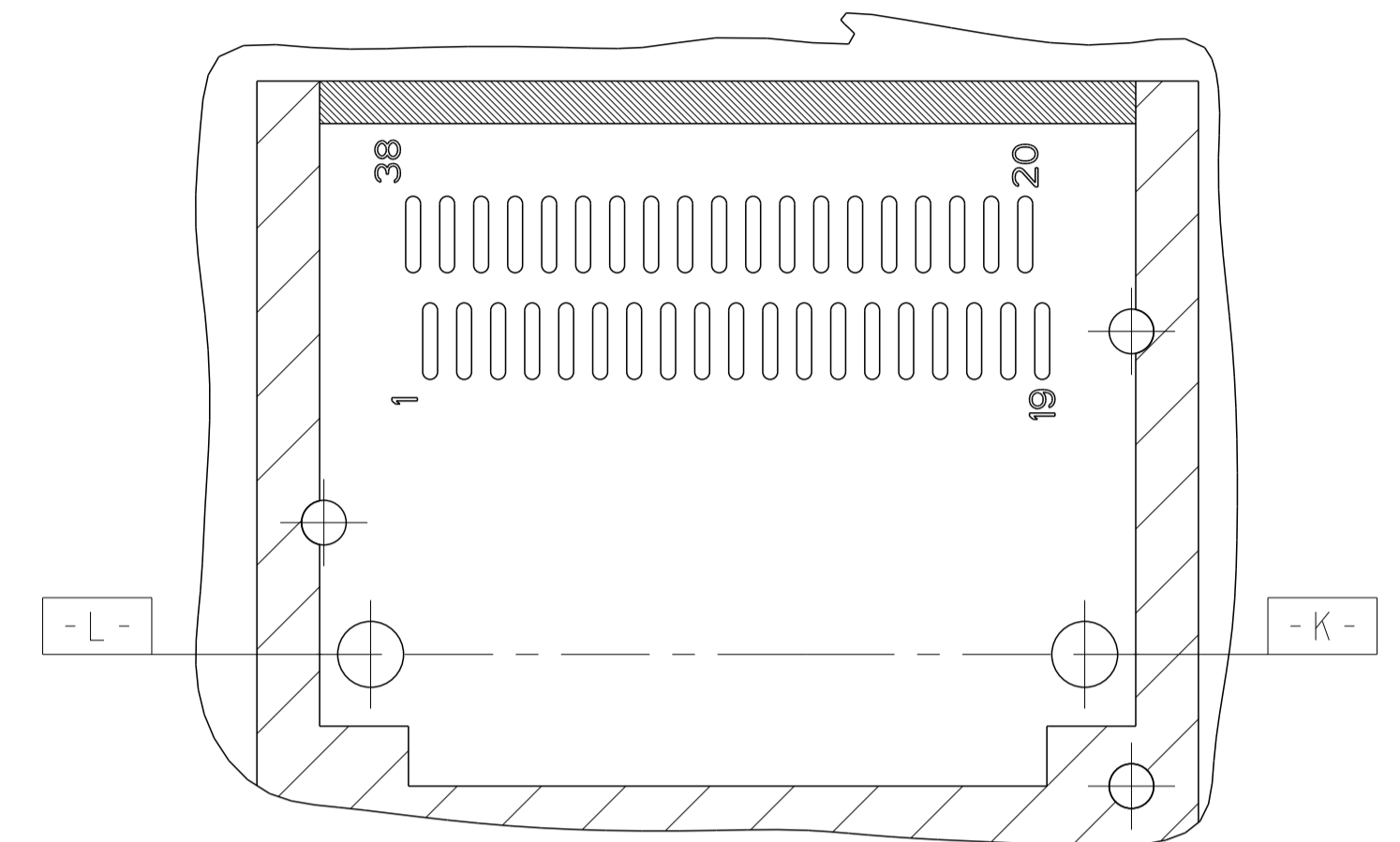
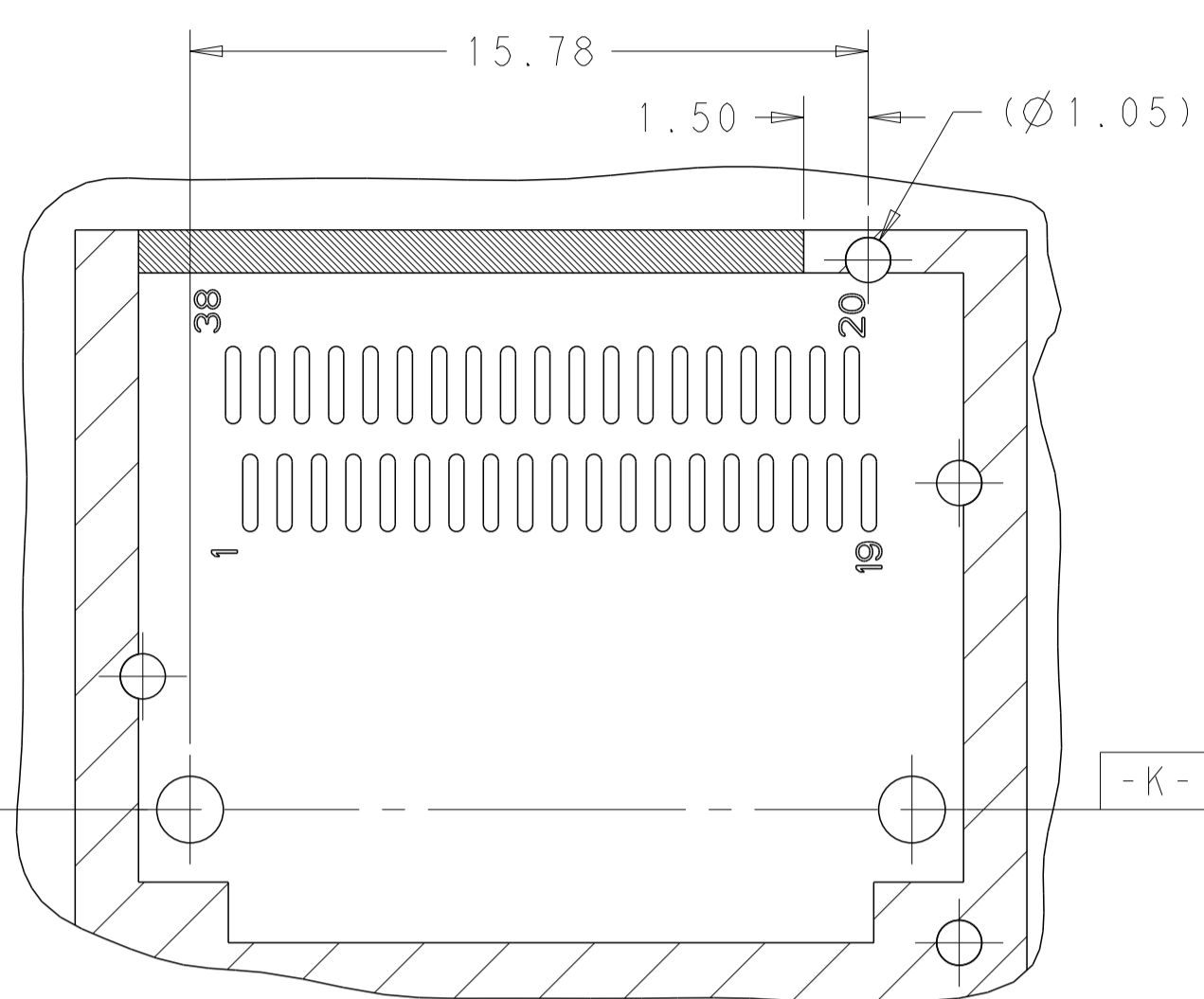
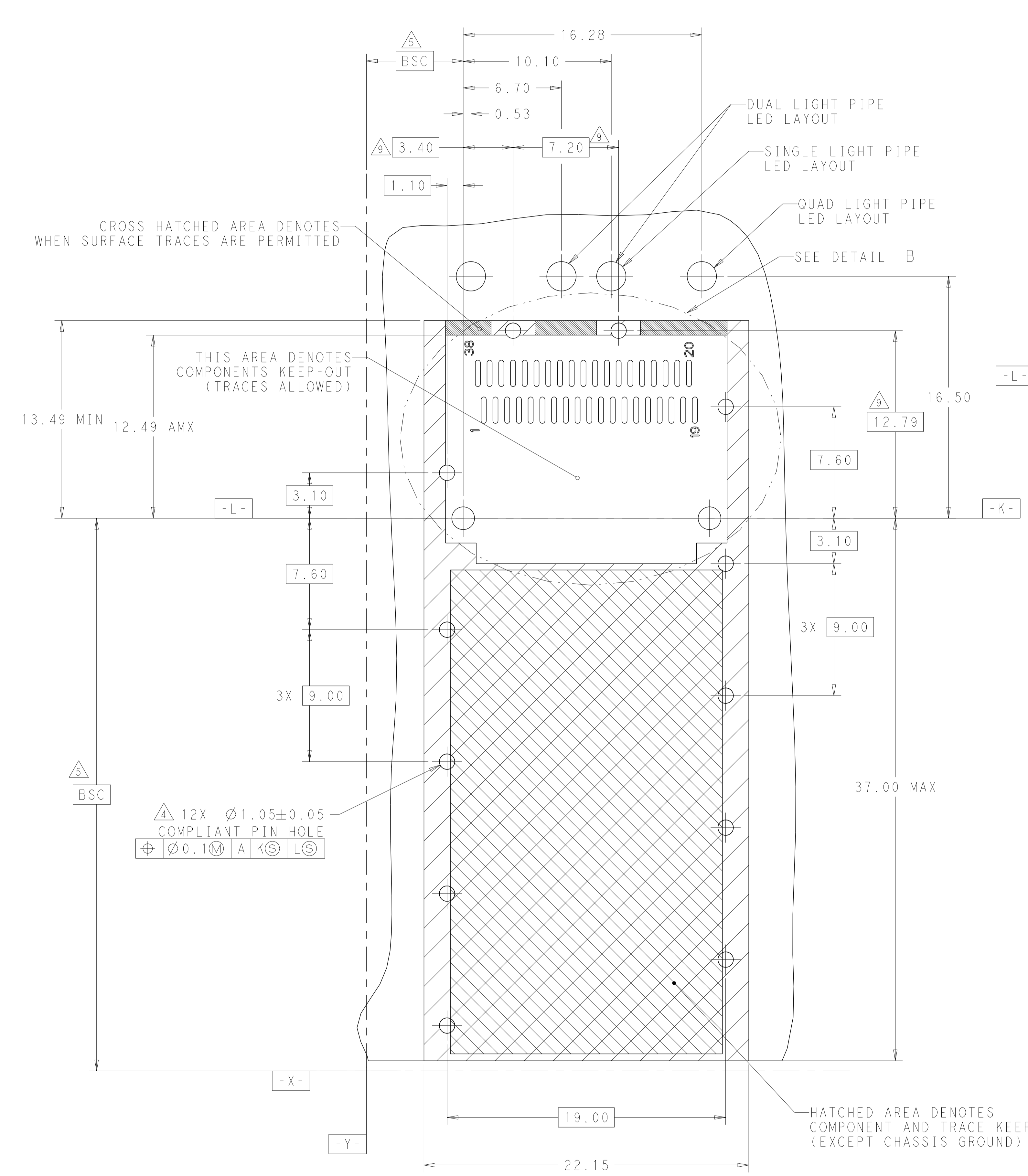
DUAL/QUAD LIGHT PIPE TYPE



BELLY TO BELLY MOUNTING SCALE 4:1

THIS DRAWING IS A CONTROLLED DOCUMENT.		DMN: JASON YANG 07MAR2014	TE Connectivity
		CHK: SEAN HAN 26JAN2016	
DIMENSIONS:		NAME: CAGE ASSEMBLY, QSPF28, THRU BEZEL WITH EMI SPRING FINGER HEAT SINK, LIGHT PIPE	
TOLERANCES UNLESS OTHERWISE SPECIFIED:		PRODUCT SPEC: 108-19428	
mm		APPLICATION SPEC: 114-32023	
0 PLC ±0.25		SIZE: A1	
1 PLC ±0.25		CAGE CODE: 00779	
2 PLC ±0.25		DRAWING NO: 2170705	
3 PLC ±0.25		RESTRICTED TO: -	
4 PLC ±0.100		SCALE: 2:1	
ANGLES ±°		SHEET: 7 of 9	
FINISH		REV: D1	
MATERIAL		CUSTOMER DRAWING	

LOC	DIST	REV	DATE	BY	APPV
-	-	1	26 JAN 2016	SEAN HAN	-



RECOMMENDED PCB LAYOUT  
SINGLE TYPE OF 2 REAR HOLES OF LEGS  
PCB TOLERANCE:  $\pm 0.05$   
SCALE 6:1

THIS DRAWING IS A CONTROLLED DOCUMENT.		OWN: JASON YANG 07MAR2014	TE Connectivity
DIMENSIONS: mm		CHK: SEAN HAN 26JAN2016	
TOLERANCES UNLESS OTHERWISE SPECIFIED:		APVD:	NAME: CAGE ASSEMBLY, QSFP28, THRU BEZEL WITH EMI SPRING FINGER HEAT SINK, LIGHT PIPE
0 PLC $\pm 0.25$	1 PLC $\pm 0.25$	PRODUCT SPEC: 108-19428	SIZE: A1
2 PLC $\pm 0.20$	3 PLC $\pm 0.20$	APPLICATION SPEC: 114-32023	CAGE CODE: 2170705
4 PLC $\pm 0.100$	ANGLES $\pm 0.1$	WEIGHT: -	RESTRICTED TO: -
MATERIAL: -		FINISH: -	CUSTOMER DRAWING
SCALE: 2:1			SHEET 8 OF 9
REV: D1			